

INSTALLATION INSTRUCTIONS

For Item#5138-799 (New. 2022/07/18)

READ AND SAVE THESE INSTRUCTIONS

WARNING! SHUT POWER OFF AT FUSE OR CIRCUIT BREAKER.
AVERTISSEMENT! COUPER LE COURANT AU NIVEAU DES FUSIBLES OU DU DISJONCTEUR.

ASSEMBLING THE FIXTURE (Fig. 1)

1. Shut off the power at the fuse box or circuit breaker. If necessary, remove old fixture, including mounting hardware.
2. Carefully remove the fixture from the carton and check that all parts are included as shown in the illustration.
3. Secure threaded rod (A) to all thread (B) on fixture body.

HANGING THE FIXTURE (Fig. 2)

4. Thread all thread into ceiling loop until snug.
5. Thread the other end of all thread into the crossbar. Note: The length of all thread into the crossbar may be adjusted if necessary.
6. Use lock washer and hex nut to secure all thread to crossbar.
7. Take this crossbar assembly and mount it to outlet box (not included) with mounting screws (Size: #8-32N*L0.5"). The side of crossbar marked with "GND" must face out.
8. Determine the desired hanging height and use a pair of proper chain pliers to remove and discard the excess chain.
9. Open one end of chain and attach it to fixture loop then close the chain. Slip the lock collar and canopy over the chain and allow them to rest on the fixture body. Open the other end of the chain and attach it to ceiling loop then close the chain.
10. Carefully lace fixture's wires through chain. Feed fixture wires through ceiling loop and crossbar assembly.

CONNECTING THE WIRE (Fig. 3)

11. Connect the electrical wire as shown in figure 3, making sure that all wire connectors are secured. If your outlet has a ground wire (green or bare copper), connect the fixture's ground wire to it. Otherwise, connect the fixture ground wire directly to the crossbar using the green screw provided.
12. Tuck wire connections neatly into ceiling outlet box. Slide canopy over canopy loop and secure with lock collar.

FINISHING THE FIXTURE (Fig.1).

13. Install (3) three medium base bulbs (E) up to 100 watts each or CFL or LED equivalent (not included) in accordance with the fixture specification — **DO NOT EXCEED THE MAXIMUM WATTAGE RATING! (NE PAS DEPASSER LA PUISSANCE NOMINALE MAXIMALE!)**.
14. Place the glass shade (F) inside the cup (C) and secure with screws (D). Do not over tighten.

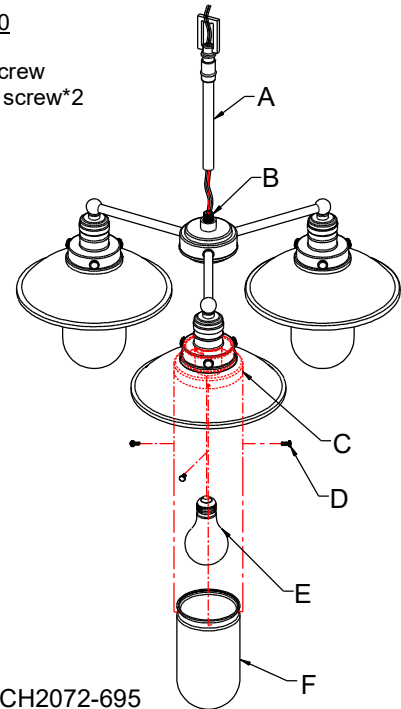
Your installation is now complete. Return power to the outlet box and test the fixture.

Note: Illustration (Fig. 1) on this manual is for installation purposes only. It may or may not be identical to the fixture purchased.

Fig. 1

Set# A-010

- Crossbar
- Ground screw
- Mounting screw*2



Chain#HCH2072-695

Fig. 2

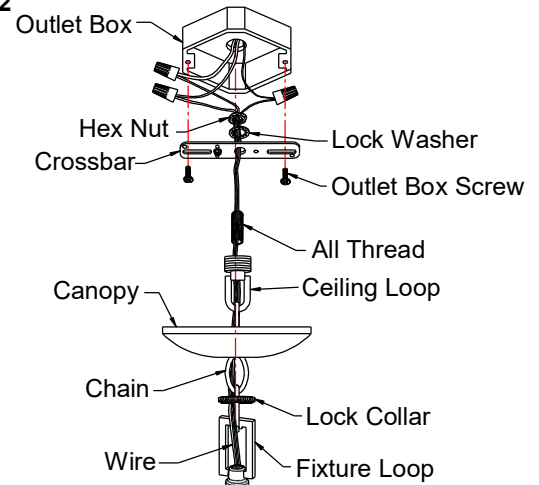
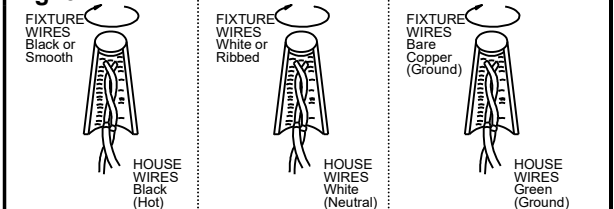


Fig. 3



Notice: It is important to use proper chain pliers (not included) To OPEN and CLOSE the chain included with this fixture. Do not open them with other tools that may twist or stress the chain links. It is important to use proper chain pliers like the ones shown in the diagram.

