

# INSTALLATION INSTRUCTIONS

Item#4855-686

## READ AND SAVE THESE INSTRUCTIONS

**WARNING! SHUT POWER OFF AT FUSE OR CIRCUIT BREAKER .**  
**AVERTISSEMENT! COUPER LE COURANT AU NIVEAU DES FUSIBLES OU DU DISJONCTEUR.**

### ASSEMBLING THE FIXTURE (Fig.2)

1. Shut off the power at the fuse box or circuit breaker. If necessary, remove the existing fixture and its mounting hardware from the ceiling.
2. Carefully remove the new fixture from the carton and check that all parts are included as shown in the illustration.
3. Attach the fixture loop (A) to the fixture body (B) by turning it clockwise until tight.
4. Place the tube (C) over the socket of the fixture body (B).
5. Install the light bulbs (not included) in accordance with the fixture's specifications: **DO NOT EXCEED THE MAXIMUM WATTAGE RATING! (NE PAS DEPASSER LA PUISSANCE NOMINALE MAXIMALE!)**

### MOUNTING THE FIXTURE (Fig.1)

6. Take this crossbar assembly and mount to the ceiling outlet box using the mounting screws (Size: #8-32N\*L0.5"). The side of the crossbar marked "GND" must face out. Tighten screws securely with screwdriver.
7. Using proper chain pliers to open one end link of the chain provided and connect to the decorative loop; then close the link.
8. Open the quick link and connect to the fixture loop (A). Then close the quick link.
9. By measuring, determine correct number of links needed for proper hanging height. Using proper chain pliers disconnect and discard remaining chain.
10. Lace the fixture wires through the decorative loop and chain.
11. Feed the fixture wires through the top loop and canopy and pull until tight.

### CONNECTING THE WIRES (Fig.3)

12. Connect the electrical wires as shown in figure 3, making sure that all wire connectors are secured. If your outlet box has a ground wire (green or bare copper), connect the fixture's ground wire to it. Otherwise, connect the fixture's ground wire directly to the crossbar using the green screw provided. After wires are connected, tuck them carefully into the ceiling junction box.

### FINISHING THE INSTALLATION (Fig.1)

13. Place the canopy over the crossbar and secure with finials.

Your installation is now complete. Return power to the junction box and test the fixture.

**Note: Illustration (Fig.1) (Fig.2) on this manual is for installation purposes only. It may or may not be identical to the fixture purchased.**

Fig.1

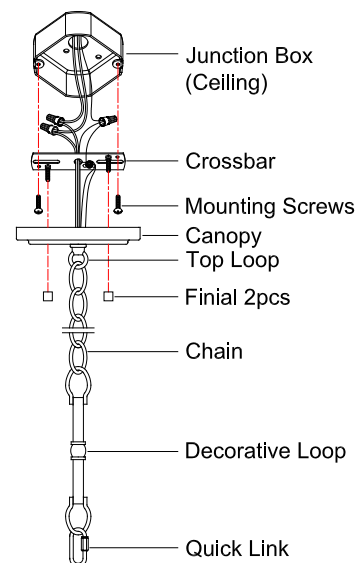


Fig.2

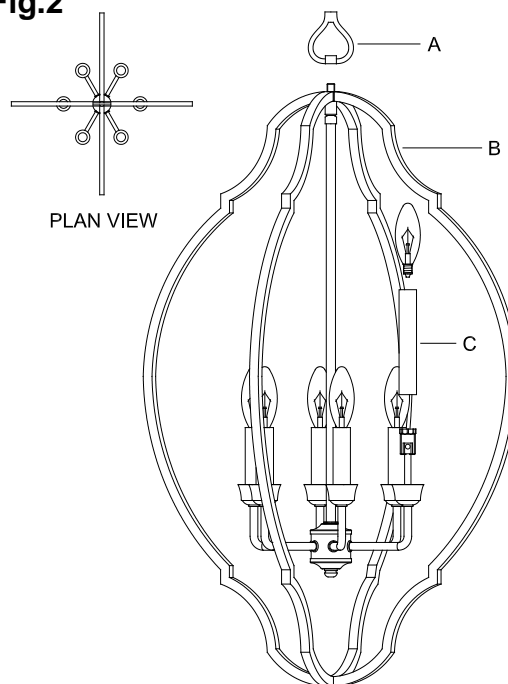
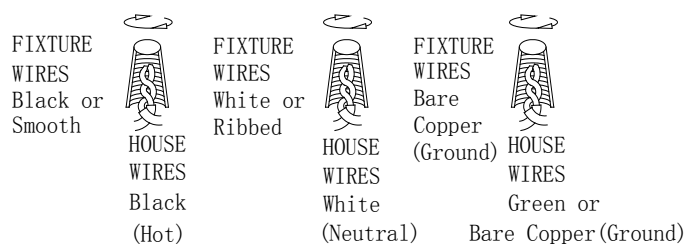


Fig.3



### CHAIN HUNG FIXTURE INSTRUCTION

Notice: It is important to use proper chain pliers (not included) To OPEN and CLOSE the chain included with this fixture. Do not open them with other tools that may twist or stress the chain links. It is important to use proper chain pliers like the ones shown in the diagram.

