

INSTALLATION INSTRUCTIONS

Item#4056-571 (Rev. 01/08/2018)

READ AND SAVE THESE INSTRUCTIONS

WARNING! SHUT POWER OFF AT FUSE OR CIRCUIT BREAKER.

AVERTISSEMENT! COUPER LE COURANT AU NIVEAU DES FUSIBLES OU DU DISJONCTEUR.

HANGING THE FIXTURE (Fig. 1)

1. Carefully remove the fixture from the carton and check that all parts are included as shown in the illustration.
2. Shut off power at the circuit breaker and remove the old fixture including the mounting hardware.
3. Position the mounting plate (B) on the ceiling and mark the location of the four drywall anchors (A). Pre-drill the holes for the drywall anchors (A). Then insert the drywall anchors (A) into the ceiling.
4. Attach mounting plate (B) to the outlet box using mounting screws (D) (Size: #8-32N*L0.5") and wood screws (C) into drywall anchors (A). The side of the mounting plate marked "GND" must face out.
5. Determine the desired hanging height and thread rods (F1, F2 and F3) to the nipple (I) of the fixture body (L). Then attach loop (H1) by screwing in to rod (F1). Note: remove the nipple if installing with one 6" rod only.
6. Attach the quick link (G) to loop (H1) and loop (H2) on the canopy (K), carefully feed the wire over loop (H1), quick link (G) and loop (H2)
7. The support cable (E) is provided to support the weight of the fixture while wiring. Align the fixture to mounting plate (B) and attach hook (W) on the end of support cable (E) into a slot located on mounting plate (B). Carefully allow the support cable (E) to support the weight of the fixture while wiring.

CONNECTING THE WIRES (Fig. 1, Fig. 2)

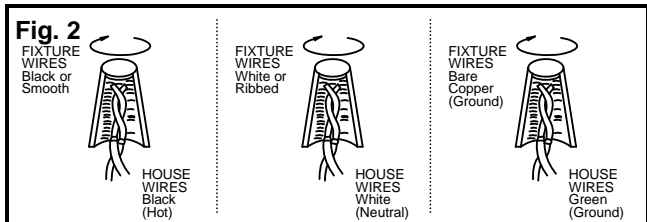
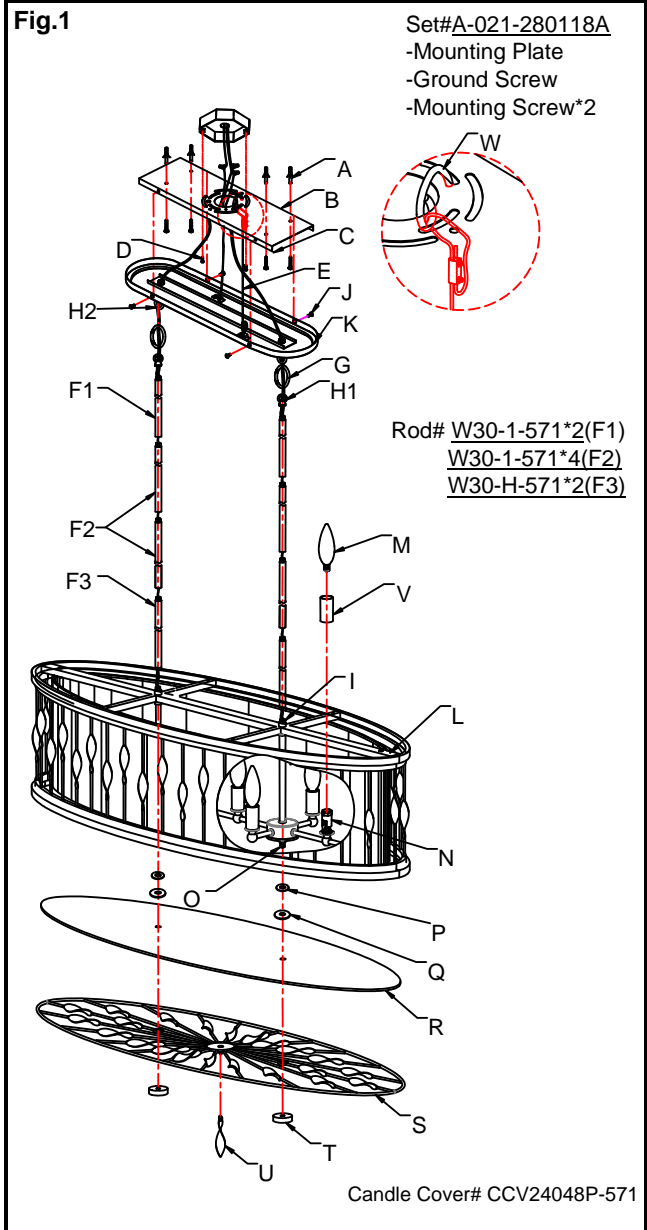
8. At this point, connect the electrical wires as shown in Fig. 2, making sure that all wire connectors are secured. If your outlet box has a ground wire (green or bare copper), connect the fixture's ground wire to it. Otherwise, connect the fixture's ground wire directly to the mounting plate using the green screw provided. After wires are connected, tuck them carefully inside the junction box.

COMPLETING THE INSTALLATION (Fig. 1)

9. Align canopy (K) onto mounting plate (B) and secure with screws (J).
10. Slide the metal plate (P), plastic plate (Q), glass diffuser (R) and decorative ring (S) over the nipple (O). Then screw them in place with bottom finial (T).
11. Hang the decorative part (U) to proper position of decorative ring (S).
12. Place the candle cover (V) over the socket (N).
13. Install the light bulb(s) (M) (not included) in accordance with the fixture's specifications. **(DO NOT EXCEED THE MAXIMUM WATTAGE RATING!) (NE PAS DEPASSER LA PUISSANCE NOMINALE MAXIMALE!).**

Your installation is now complete. Return power to the junction box and test the fixture.

Note: Illustration (Fig. 1) on this manual is for installation purposes only. It may or may not be identical to the fixture purchased.



LA-2707E