

# INSTALLATION INSTRUCTIONS

For Item#3168-84 (New.08/16/2017)

## READ AND SAVE THESE INSTRUCTIONS

**WARNING! SHUT POWER OFF AT FUSE OR CIRCUIT BREAKER.**

**AVERTISSEMENT! COUPER LE COURANT AU NIVEAU DES FUSIBLES OU DU DISJONCTEUR.**

### MOUNTING THE FIXTURE (Fig.1)

1. Shut off power at the fuse box or circuit breaker. If necessary, remove old fixture from ceiling, including the mounting hardware.
2. Carefully unpack your new fixture and lay out all the parts on a clear area. Take care not to lose any small parts necessary for installation.
3. Thread the two screws (C) about 1/4" into the pre-drilled holes in the Mounting Plate (A) spaced the same distance apart as the holes in the ceiling pan (E).
4. Attach the Mounting Plate (A) to the outlet box using the two mounting screws (B) (Size: #8-32N\*L0.5"). The side of the Mounting plate marked "GND" must face out.

### CONNECTING THE WIRES (Fig.2)

5. While holding the ceiling pan towards the ceiling, connect the electrical wires as shown in (Fig.2), making sure that all wire connectors are secured. If your outlet has a ground wire (green or bare copper), connect the fixture's ground wire to it. Otherwise, connect the fixture's ground wire directly to the mounting plate using the green screw provided. After wires are connected, tuck them carefully into the ceiling outlet box.

### FINISHING THE INSTALLATION (Fig. 1)

6. Finish mounting the ceiling pan assembly by placing it over the two mounting screws (C) so they protrude through the "keyholes" in the bottom of the pan. Rotate the pan until the screws are in the slots of the "keyholes" and tighten with a screwdriver.
7. Install the light bulbs (not included) in accordance with fixtures specifications. **(DO NOT EXCEED THE MAXIMUM WATTAGE RATING!) (NE PAS DEPASSER LA PUISSANCE NOMINALE MAXIMALE!).**
8. Install the glass panel (G) into fixture body and secure with tabs provided.
9. Thread the tube (F) to coupling (D).
10. Place metal ring (H), glass shield (I) over the tube (F) and tighten with finial (J). Please See Fig.3 for the schematic diagram of metal ring (H) and glass shield (I)'s installation.

Your installation is now complete. Return power to the junction box and test the fixture.

**Note: Illustration (Fig. 1) on this manual is for installation purposes only. It may or may not be**

Fig. 1

Set# A-020-378  
-Mounting Plate  
-Ground Screw  
-Mounting Screw\*2

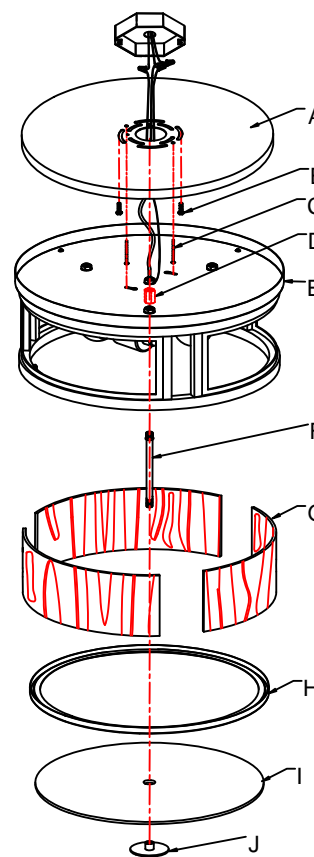


Fig.3

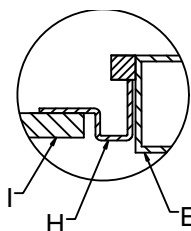
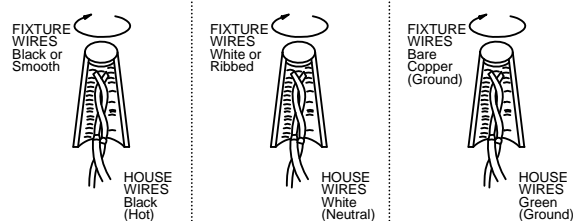


Fig. 2



MIN 90°C SUPPLY CONDUCTORS



LA-2801E