



**ELECTRICAL SHOCK HAZARD** – Before installing this unit, turn off power at the main service panel by removing the fuse or switching the appropriate circuit breaker to the OFF position.

Device is intended to be connected only to panel connection. All wiring must conform to national, state and local electrical codes. 14AWG wire or larger required. Product contains no serviceable parts.

The ICM517 is UL Rated as a Type 2 device and must be installed before the equipment it is intended to protect. It can be installed at the A/C disconnect or an indoor/outdoor electrical panel. Suitable for use on a circuit capable of delivering not more than 10,000 rms symmetrical amperes, 240V max, when protected by a circuit breaker rated 20-60A maximum and 120V minimum. Device wires should be kept at a minimal length to increase response time and effectiveness of the control. Contains no serviceable parts.

### Instructions

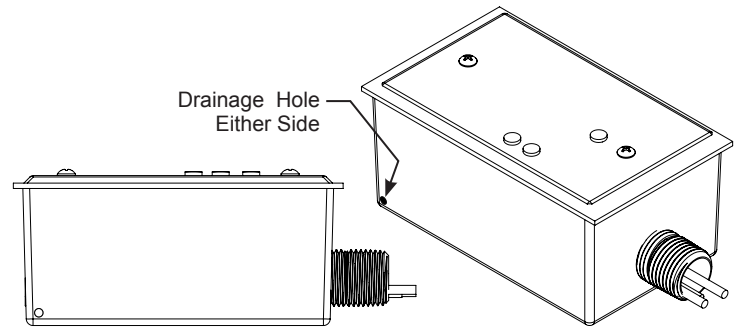
1. Turn off the main breaker and/or main power to the service disconnect.
2. Remove the cover on service disconnect or the electrical panel.
3. Mount through conduit connection of electrical panel:
  - 3.1 Remove the retaining ring on the unit.
  - 3.2 Feed the wires into the electrical panel service disconnect.
  - 3.3 Re-secure the retaining ring.
4. Route the green wire to the grounding lug and secure.
5. Connect the two black wires and one white wire.
  - For electrical panel: Connect to closest two-pole breaker.
  - For A/C disconnect: Connect to the disconnect power terminals.
6. Reinstall cover on service disconnect or the electrical panel.
7. Restore power; LED(s) should be on with 120 VAC present from black to green and black to white.
8. Close electrical panel or cover.

### Specifications

**Service Voltage:** 120/240 volt, single phase  
**Maximum Surge Current:** 100,000 amps  
**Maximum Energy Dissipation:** 1,020 joules  
**Installation Point:** Electrical panel, electrical disconnect  
**Diagnostics:** Green light indicates surge suppression present  
**Enclosure:** NEMA Type 3R waterproof metal enclosure  
**AC Protection Modes:** L-L, L-N, L-G, N-G  
**Conduit Connection:** 3/4"  
**Dimensions:** 5.0" L x 2.78" W x 2.16" D  
**Weight:** 0.55 lbs.

### Drain Hole Information

When used in Type 3R applications install drain hole using 1/8 dia. drill, as shown, or the equivalent.



### Maintenance Test Procedure

To be performed by a licensed contractor/electrician only

- Apply 120 VAC from one black wire to the white wire; one LED should illuminate.
- Apply 120 VAC from the other black wire to the white wire. One LED should illuminate.
- Apply 120 VAC from both black wires to the green wire, one LED should illuminate.

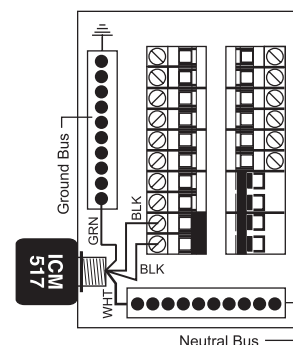
If any or all LEDs fail to illuminate, the product needs to be replaced.

120 VAC Wiring
Black on hot leg
Black on hot leg
White on neutral leg
Green on earth ground

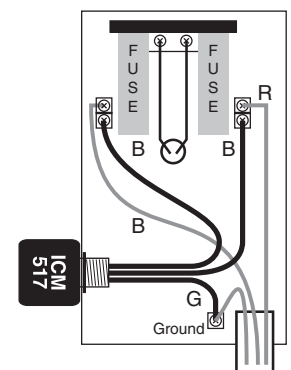
240 VAC Wiring
Black on hot leg
Black on hot leg
Green on earth ground
White capped off

### Wiring Diagram

Indoor Installation (240 VAC Shown)



Outdoor Installation (240 VAC Shown)



## LIMITED LIFETIME PROTECTION WARRANTY

Review enclosed warranty information for full details & registration information