

# 202101, 202102, 202103 INSTALLATION INSTRUCTIONS

Please read carefully and save these instructions as you may need them a later date.

## CAUTION

**WARNING:** Risk of Fire. Consult a qualified electrician to ensure correct branch circuit conductor.

Turn off the main power at the circuit breaker before installing the fixture in order to prevent possible shock.

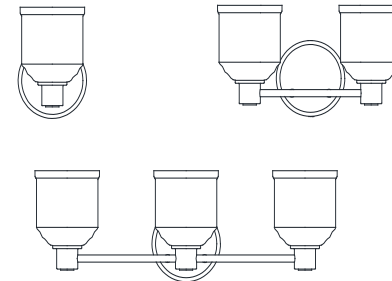
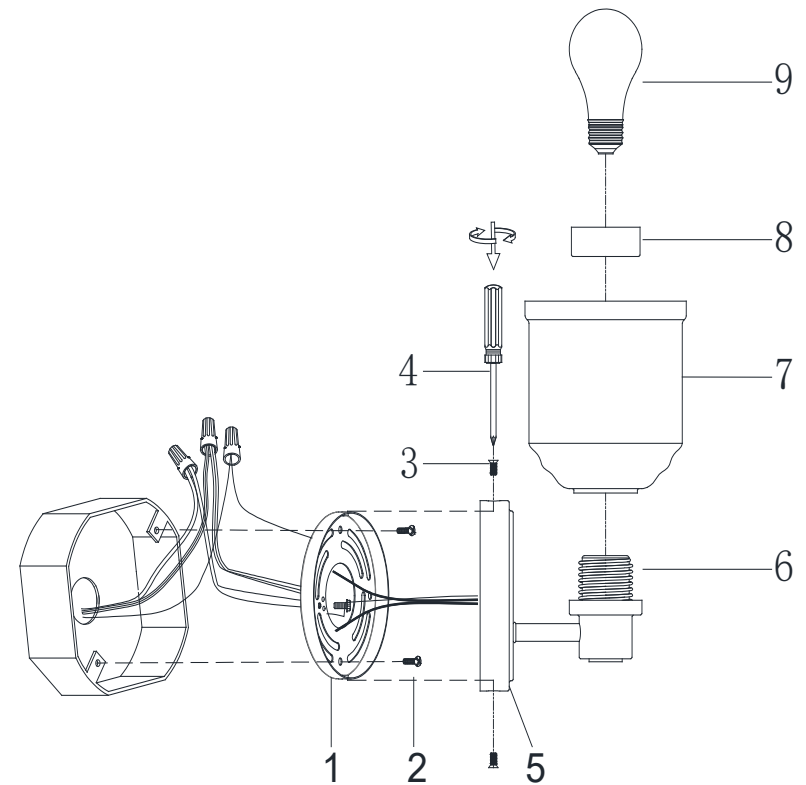
## GENERAL

All electrical connections must be in accordance with local and National Electrical Code (N.E.C.) standards. If you are unfamiliar with proper electrical wiring connections obtain the services of a qualified electrician.

Remove the fixture and the mounting package from the box and make sure that no parts are missing by referencing the illustration.

## ASSEMBLY AND INSTALLATION

1. Secure the mounting plate (1) to the outlet box with the outlet box screws (2).
2. Pull out the wires and ground wire from the Outlet Box.  
Make wire connections with Wire nut:
  - White wire from light to White Wire from power source.
  - Black wire from light to Black Wire from power source.
  - A Wrap the Ground Wire from the light around the green screw on the mounting plate (1), then connect it to the grounding wire from power source.
3. Align the Back plate (5) to the Outlet box, then use a screwdriver (4) (not included) to secure it to the mounting plate (1) with the mounting screws (3).
4. Attach the glass (7) to the socket (6), then secure with socket ring (8).
5. Install bulbs (9) (bulbs not included).  
(Don't exceed the maximum capacity recommended on the sockets).



INSTALLATION IS NOW COMPLETED