

# RWCC13 RWCC17 RWDBC18 RCC13 RCC17 INSTALLATION INSTRUCTIONS

Please read carefully and save these instructions as you may need them a later date.

## CAUTION

**WARNING:** Risk of Fire. Consult a qualified electrician to ensure correct branch circuit conductor.

Turn off the main power at the circuit breaker before installing the fixture in order to prevent possible shock.

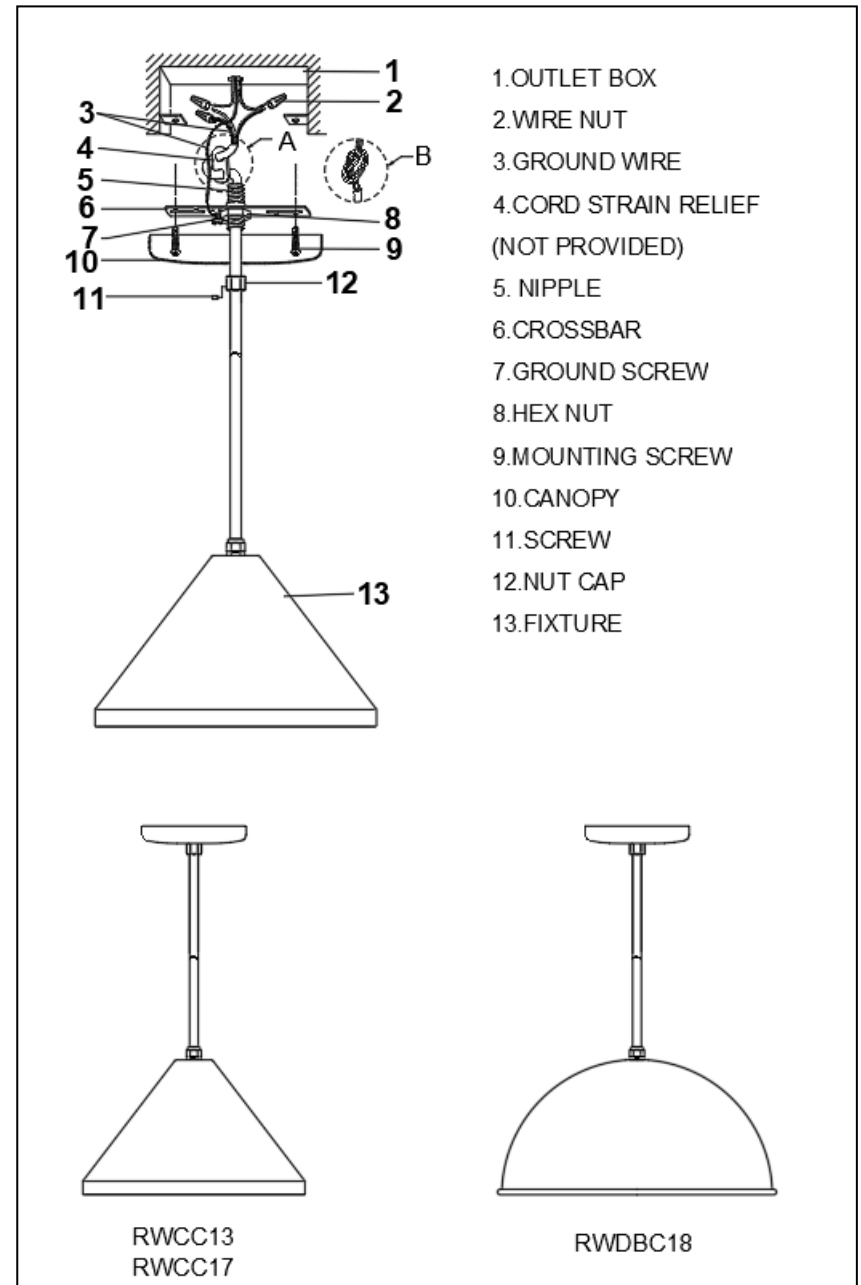
## GENERAL

All electrical connections must be in accordance with local and National Electrical Code (N.E.C.) standards. If you are unfamiliar with proper electrical wiring connections obtain the services of a qualified electrician.

Remove the fixture and the mounting package from the box and make sure that no parts are missing by referencing the illustration.

## ASSEMBLY AND INSTALLATION

1. Insert nipple (5) into central hole of crossbar (6) and adjust to suitable length. Fasten nipple (5) in suitable length by hex nut (8), make sure the nipple will not roll again.
2. Feed the fixture wires through nut cap (12), canopy (10), nipple (5) and come out from cord strain relief (4) (not provided), cut and trim any excess wire, leaving enough wire for electrical connections. If you need to adjust the length of the cable, release cord strain relief (4) first, then adjust the cable to the desired length. Reinstall cord strain relief (4).
3. Knot the cord as figure B if without cord strain relief (4) (not provided).
4. Pull out the outlet wire and ground wire from the outlet box, make wire connections with wire nuts (2) as follows:
  - Ribbed wire (w/o marking) or white wire from fixture to the white wire from power source.
  - Smooth wire (w/ marking) or black wire from fixture to the black wire from power source.
  - Ground wires from fixture to power source and tie to crossbar (6) with a ground screw (7).
5. Secure crossbar (6) to outlet box (1) with the supplied mounting screws (9).
6. Fix the nut cap (12) with screw (11), make sure cord tight.
7. Screw recommended bulb (E26 Edison /A19 bulb type, not included) into socket. Verify correct bulb wattage marked on socket of fixture. **WARNING: DO NOT exceed maximum bulb wattage.**
8. Turn on the power.



INSTALLATION IS NOW COMPLETED