

# RCLWF14

## INSTALLATION INSTRUCTIONS

Please read carefully and save these instructions as you may need them a later date.

### CAUTION

**WARNING:** Risk of Fire. Consult a qualified electrician to ensure correct branch circuit conductor.

Turn off the main power at the circuit breaker before installing the fixture in order to prevent possible shock.

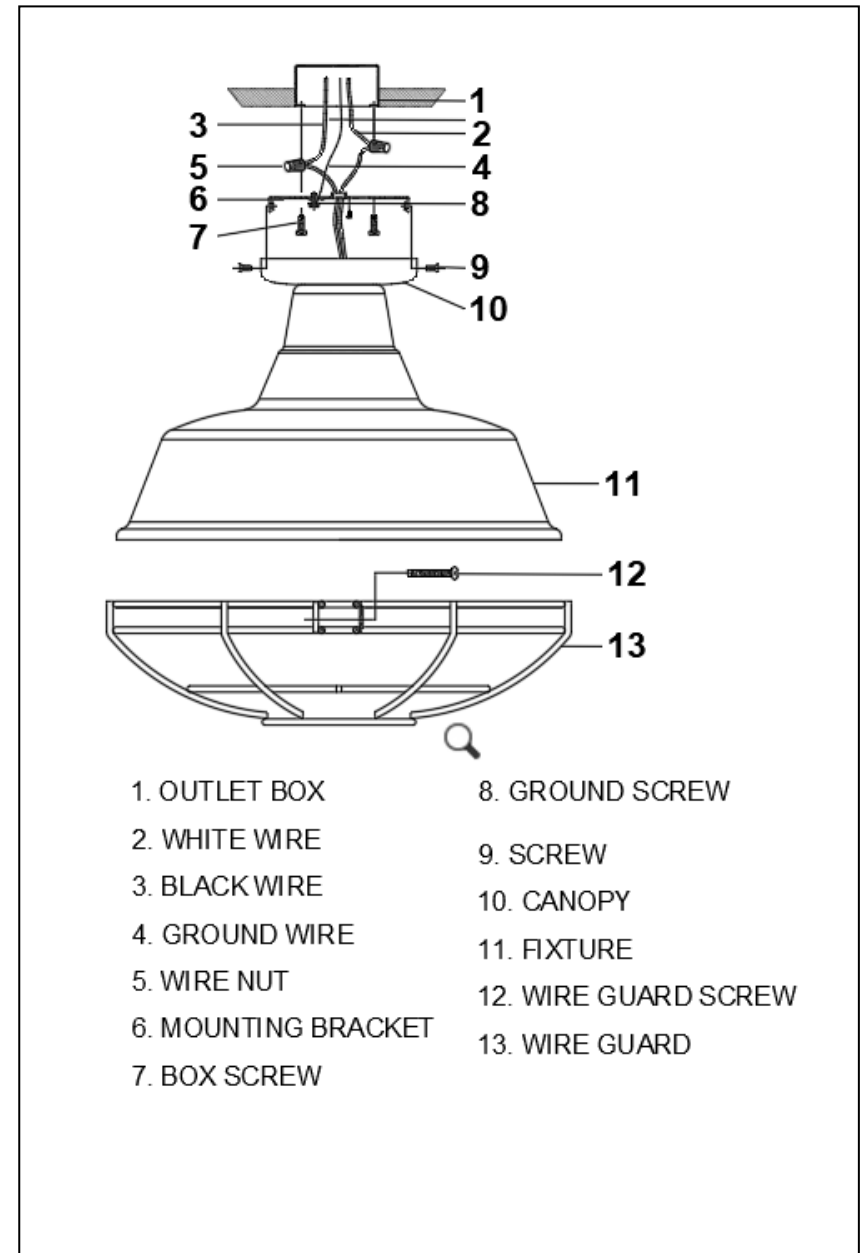
### GENERAL

All electrical connections must be in accordance with local and National Electrical Code (N.E.C.) standards. If you are unfamiliar with proper electrical wiring connections obtain the services of a qualified electrician.

Remove the fixture and the mounting package from the box and make sure that no parts are missing by referencing the illustration.

### ASSEMBLY AND INSTALLATION

1. Attach mounting bracket (6) to outlet box(1) with box screws (7).
2. Pull out the outlet wire and ground wire from the outlet box, make wire connections with wire nut (5) as follow:
  - Connect the smooth-coated wire (marked) or Black wire from fixture to the Black wire (3) from power source.
  - Connect the ribbed-coated wire (marked) or White wire from fixture to the White wire (2) from power source.
  - Attach the house ground wire to mounting bracket (6) with the ground screw (4). Connect it to the fixture ground wire (4) with the wire nut (5).
4. Attach the fixture canopy (10) to the ceiling , secure it with the screws (9) on sides .
5. Screw recommended bulb ( E26 Edison /A19 bulb type, not included ) into socket. Verify correct bulb wattage marked on socket of fixture . **WARING: DO NOT** exceed maximum bulb wattage
6. Optional wire guard (13).Unscrew the wire guard screw (12) to make wire guard (13) large enough to attach the edge of fixture(11). Then fix wire guard (13) with wire guard screw(12) to prevent it falling off.
7. Turn on the power.



INSTALLATION IS NOW COMPLETED