

## INSTALLATION INSTRUCTIONS

Please read carefully and save these instructions as you may need them a later date

### CAUTION

Turn off the main power at the circuit breaker before installing the fixture, in order to prevent possible shock.

### GENERAL

All electrical connections must be in accordance with local and National Electrical Code(N.E.C.) standards.If you are unfamiliar with proper electrical wiring connections obtain the services of a qualified electrician.

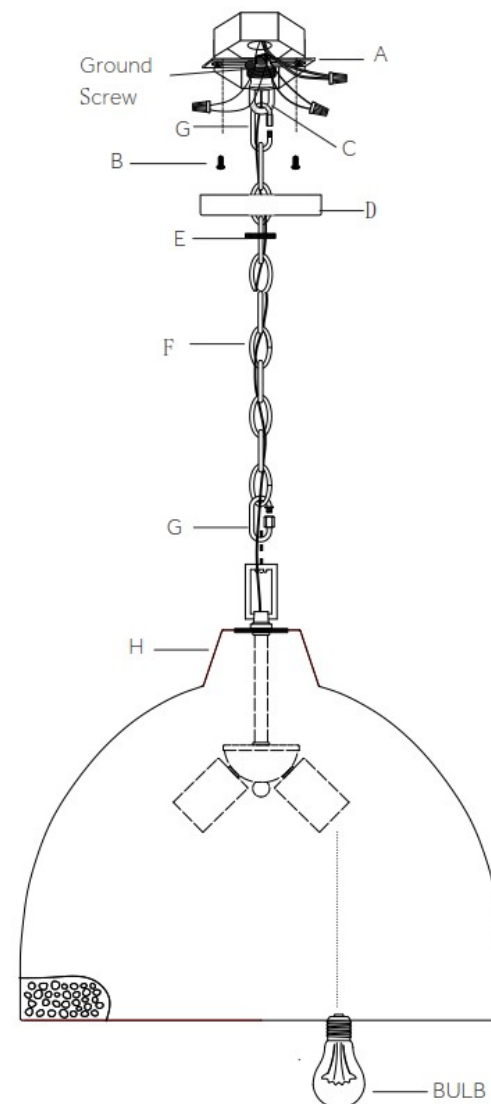
Remove the fixture and the mounting package from the box and make sure that no parts are missing by referencing the illustration.

### ASSEMBLY AND INSTALLATION

1. Attach one locking link (G) onto loop of fixture body (H). Determine desired hanging height of fixture. Cut chain (F) to length to achieve desired height.Attach chain link at end of chain (F) onto locking link (G) on loop of fixture body (H).Weave fixture wires through chain (F), skipping every other chain link. Slide screw collar ring (E) and canopy (D) down over end of chain (F) and fixture wires.
2. Carefully pull house wires through center hole in mounting bracket (A).Secure mounting plate (A) to junction box with junction box screw (B). Thread screw collar loop (C) onto threaded pipe of mounting bracket (A). Use locking link (G) to connect screw collar loop (C) and the top of chain (F).
3. Pull out the outlet wire and ground wire from junction box.  
Make wire connections with wire nut .  
--Ribbed wire (w/o marking) or white wire from fixture to White wire from power source.  
--Smooth wire (w marking) or black wire from fixture to Black wire from power source.  
--Ground wires from fixture to power source and tie to mounting bracket(A) with a ground screw.
4. Raise canopy (D) up to ceiling. Pass hole in canopy (D) over screw collar loop (C). Position canopy (D) up against ceiling. Screw the screw collar ring (E) onto screw collar loop (C). Tighten screw collar ring (E) to secure fixture to ceiling.
5. Screw recommended bulb (E26 Edison/A19 bulb type, not included) into socket. Verify correct bulb wattage marked on socket of fixture. **WARNING: DO NOT exceed maximum bulb wattage**
6. Turn on the power

INSTALLATION IS NOW COMPLETED

- A. Mounting bracket
- B. Junction box screw
- C. Screw collar loop
- D. Canopy
- E. Screw collar ring
- F. Chain
- G. Locking link
- H. Fixture body



Item No.: 99204, 99205, 99206