

91621, 91631 INSTALLATION INSTRUCTIONS

Please read carefully and save these instructions as you may need them a later date.

CAUTION

WARNING: Risk of Fire. Consult a qualified electrician to ensure correct branch circuit conductor.

Turn off the main power at the circuit breaker before installing the fixture in order to prevent possible shock.

GENERAL

All electrical connections must be in accordance with local and National Electrical Code (N.E.C.) standards. If you are unfamiliar with proper electrical wiring connections obtain the services of a qualified electrician.

Remove the fixture and the mounting package from the box and make sure that no parts are missing by referencing the illustration.

ASSEMBLY AND INSTALLATION

1. For masonry installations, using a 5/16 in. drill bit (not included), drill pilot holes at marked locations for expansion screw (10) and insert expansion screw (10) into the holes. Then attach mounting plate (6) to wall using wood screws (11) and use outlet box screws (9) to secure it to the outlet box (1).

Note: Make sure the narrow end of the keyhole slots on mounting plate (6) slides down over the screw heads.

2. Pull out the outlet wire and ground wire from the outlet box.

Make wire connections with wire caps (5).

--Ribbed wire (w/o marking) or white wire from light to White wire (2) from power source

--Smooth wire (w marking) or black wire from light to Black wire (3) from power source

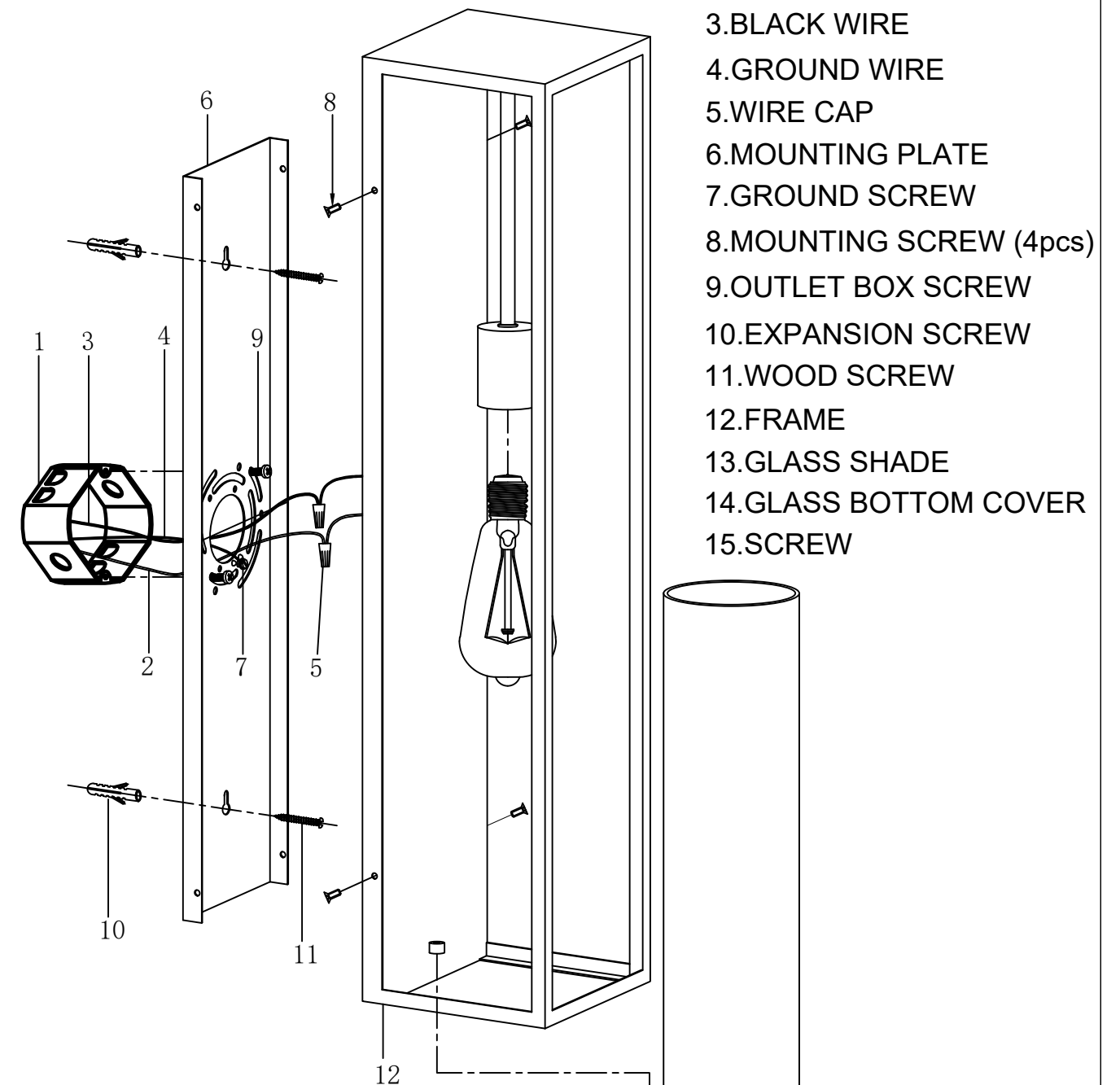
--Connect the ground wire from the outlet box and the ground wire from the fixture to the ground screw (7). Tighten the ground screw (7) to secure ground wires (4) to the mounting plate (6).

3. Attach the fixture backplate to the mounting plate (6), and secure it with mounting screws (8).

4. Install bulb. (bulb not included) (Don't exceed the maximum capacity recommended on the sockets)

5. Install the glass shade (13) and the glass bottom cover (14) by securing the screw (15).

INSTALLATION IS NOW COMPLETED



1. OUTLET BOX
2. WHITE WIRE
3. BLACK WIRE
4. GROUND WIRE
5. WIRE CAP
6. MOUNTING PLATE
7. GROUND SCREW
8. MOUNTING SCREW (4pcs)
9. OUTLET BOX SCREW
10. EXPANSION SCREW
11. WOOD SCREW
12. FRAME
13. GLASS SHADE
14. GLASS BOTTOM COVER
15. SCREW

After securing fixture to the wall it is recommended that the gap between the wall and the fixture backplate be sealed on the top and both sides, with a good quality waterproof caulk or silicone sealant (NOT INCLUDED)-see below drawing.

