

83101 83102

INSTALLATION INSTRUCTIONS

Please read carefully and save these instructions as you may need them a later date.

CAUTION

WARNING: Risk of Fire. Consult a qualified electrician to ensure correct branch circuit conductor.

Turn off the main power at the circuit breaker before installing the fixture in order to prevent possible shock.

GENERAL

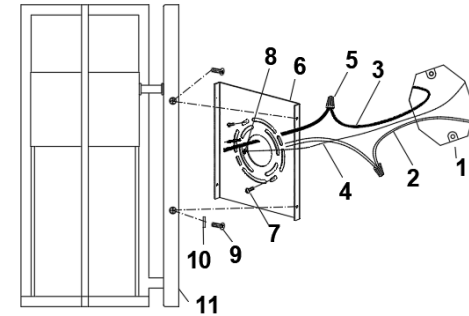
All electrical connections must be in accordance with local and National Electrical Code (N.E.C.) standards. If you are unfamiliar with proper electrical wiring connections obtain the services of a qualified electrician.

Remove the fixture and the mounting package from the box and make sure that no parts are missing by referencing the illustration.

ASSEMBLY AND INSTALLATION

1. Attach mounting bracket (6) to outlet box(1) with outlet box screws (7).
3. Pull out the outlet wire and ground wire from the outlet box, make wire connections with wire nut (5) as follow:
 - Connect the smooth-coated wire (marked) or Black wire from fixture to the Black wire (3) from power source.
 - Connect the ribbed-coated wire (marked) or White wire from fixture to the White wire (2) from power source.
 - Attach the house ground wire to mounting bracket (6) with the ground screw (8). Connect it to the fixture ground wire (4) with the wire nut (5).
2. Attach the fixture to the mounting bracket (6) , secure the fixture backplate(11) to mounting bracket (6) with the rubbers (10) and mounting screws (9) on the sides of backplate(11).
3. To prevent moisture from entering the outlet box and the fixtures mounting plate causing a short, apply a bead of clear caulk to outline the outside of the fixtures mounting plate where it meets the wall. Leave a small space at the bottom to allow any condensation or moisture to escape.
4. Turn on the power.

INSTALLATION IS NOW COMPLETED



1. OUTLET BOX
2. WHITE WIRE
3. BLACK WIRE
4. GROUND WIRE
5. WIRE NUT
6. MOUNTING BRACKET

7. OUTLET BOX SCREW
8. GROUND SCREW
9. MOUNTING SCREW
10. RUBBER
11. BACKPLATE