

ASSEMBLY&INSTALLATION

Please read carefully and save these instructions,as you may need them a later date.

CAUTION

Turn off the main power at the circuit breaker before installing the fixture, in order to prevent possible shock.

GENERAL

All electrical connections must be in accordance with local and National Electrical Code (N.E.C) standards. If you are unfamiliar with proper electrical wiring connections obtain the services of a qualified electrician.

Remove the fixture and the mounting package from the box and make sure that no parts are missing by referencing the illustrations on the installation instructions.

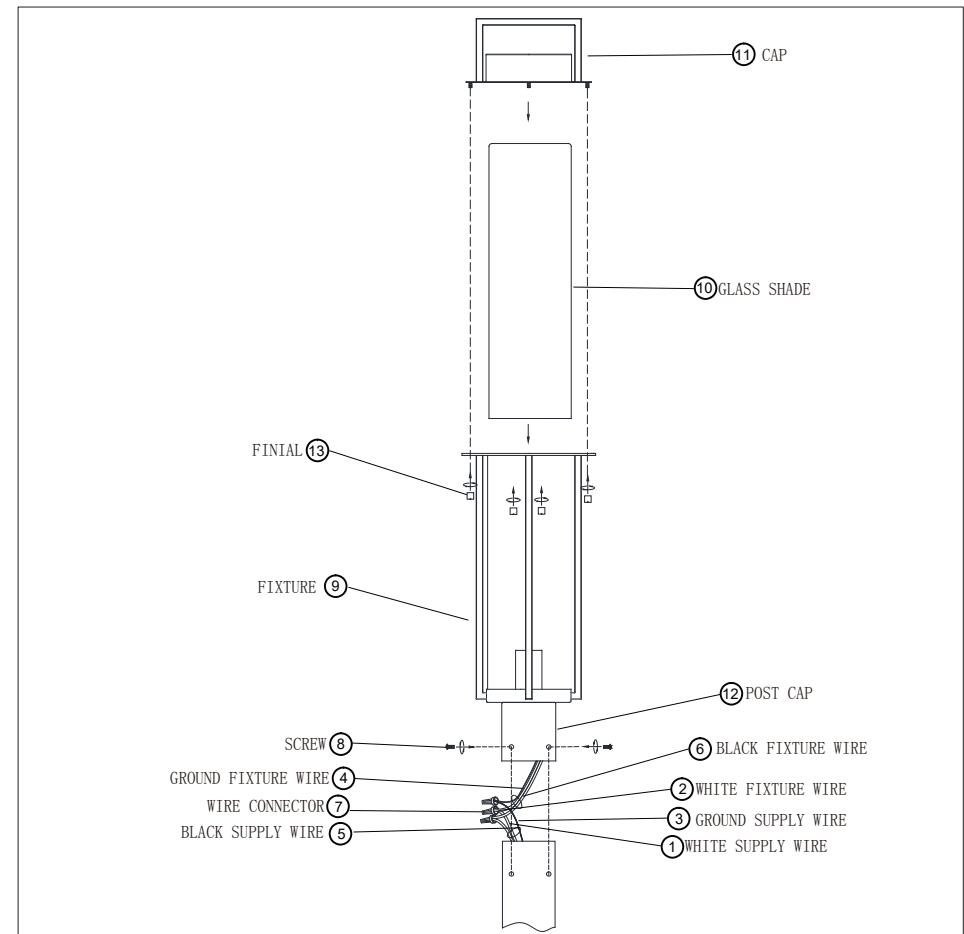
ASSEMBLY AND INSTALLATION

1. Carefully unpack the fixture, lay out all parts on a clean surface.
2. Use the wire connector (7) to connect the ground wire from the fixture (4) to the ground wire from the post (3). Use the wire connector(7) connect the white wire from the fixture (2) to the white wire (1 neutral wire) from the post. Use the wire connector (7) connect the black wire from fixture (6) to the black wire (5 live wire) from post. Position the wires back inside the post cap (12). Then put the post cap(12) over post.
3. Install the bulb (not included) into the socket. Make sure they do not exceed the maximum wattage specified on the fixture's wattage rating label.
4. Place the glass shade (10) onto the socket of the fixture (9), then align the nipple of the cap (11) to the top holes of the fixture (9), then secure it with finials (9).

ASSEMBLY AND INSTALLATION (CONT.)

5. Screw the screw (8) through the holes on the post cap until the fixture is secure.
6. Turn on the power.

INSTALLATION IS NOW COMPLETED



ITEM NO.: 10531