

## ASSEMBLY&INSTALLATION

Please read carefully and save these instructions,as you may need them a later date.

### CAUTION

Turn off the main power at the circuit breaker before installing the fixture, in order to prevent possible shock.

### GENERAL

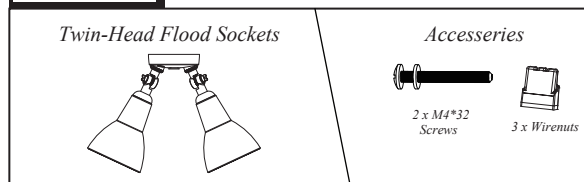
All electrical connections must be in accordance with local and National Electrical Code (N.E.C) standards. If you are unfamiliar with proper electrical wiring connections obtain the services of a qualified electrician.

Remove the fixture and the mounting package from the box and make sure that no parts are missing by referencing the illustrations on the installation instructions.

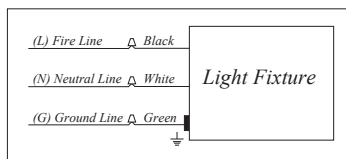
## ASSEMBLY AND INSTALLATION

1. Carefully unpack the fixture, lay out all parts on a clean surface.

### INSIDE THE BOX



2. Use a wire connector (8) to connect the white wire (4) from the fixture to the white wire (6 neutral wire) from the outlet box. Use a wire connector (8) to connect the black wire (10) from the fixture to the black wire (7 live wire) from the outlet box. Position the wires inside the outlet box.

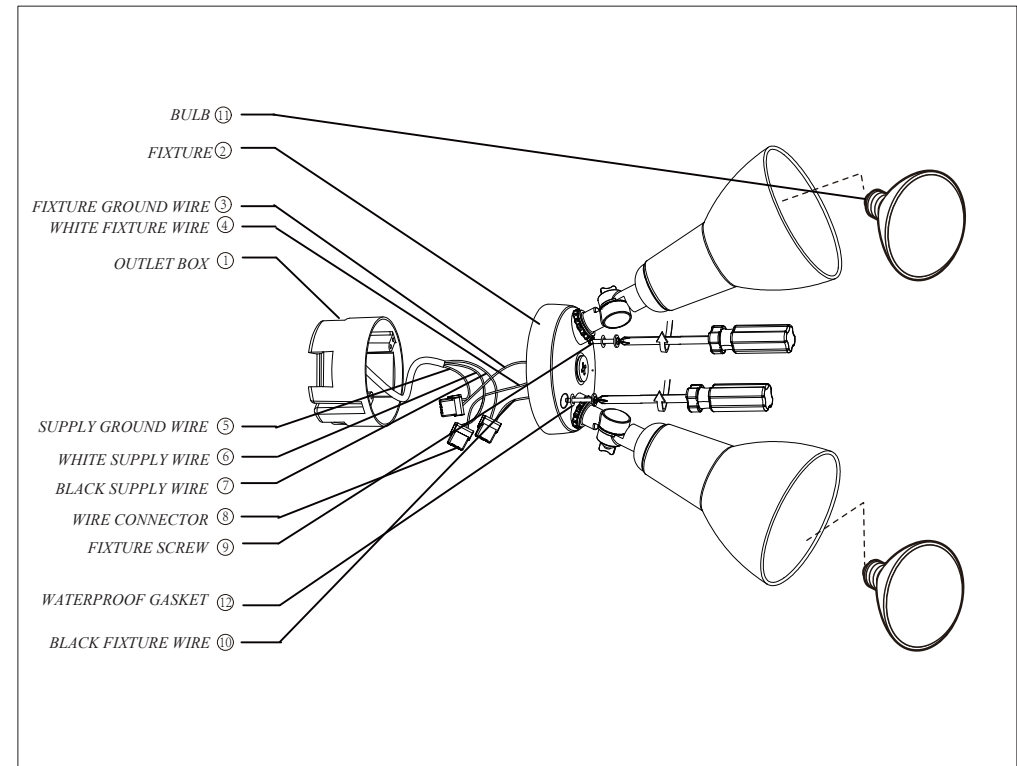


3. Place the fixture(2) onto the outlet box(1), and secure it into place using the waterproof gasket(12) and fixture screws(9) provided

## ASSEMBLY AND INSTALLATION (CONT.)

4. To prevent moisture from entering the outlet box and the fixtures mounting plate causing a short, apply a bead of clear caulk to outline the outside of the fixtures mounting plate where it meets the wall. Leave a small space at the bottom to allow any condensation or moisture to escape.
5. Install the bulb(11 not included) into the socket.  
(Please do not exceed the maximum capacity recommended on the socket.)
6. Turn on the power.

## INSTALLATION IS NOW COMPLETED



ITEM NO.: 17002