

4526

INSTALLATION INSTRUCTIONS

Please read carefully and save these instructions, as you may need them at a later date.

CAUTION

WARNING: Risk of Fire. Consult a qualified electrician to ensure correct branch circuit conductor.

Turn off the main power at the circuit breaker before installing the fixture in order to prevent possible shock.

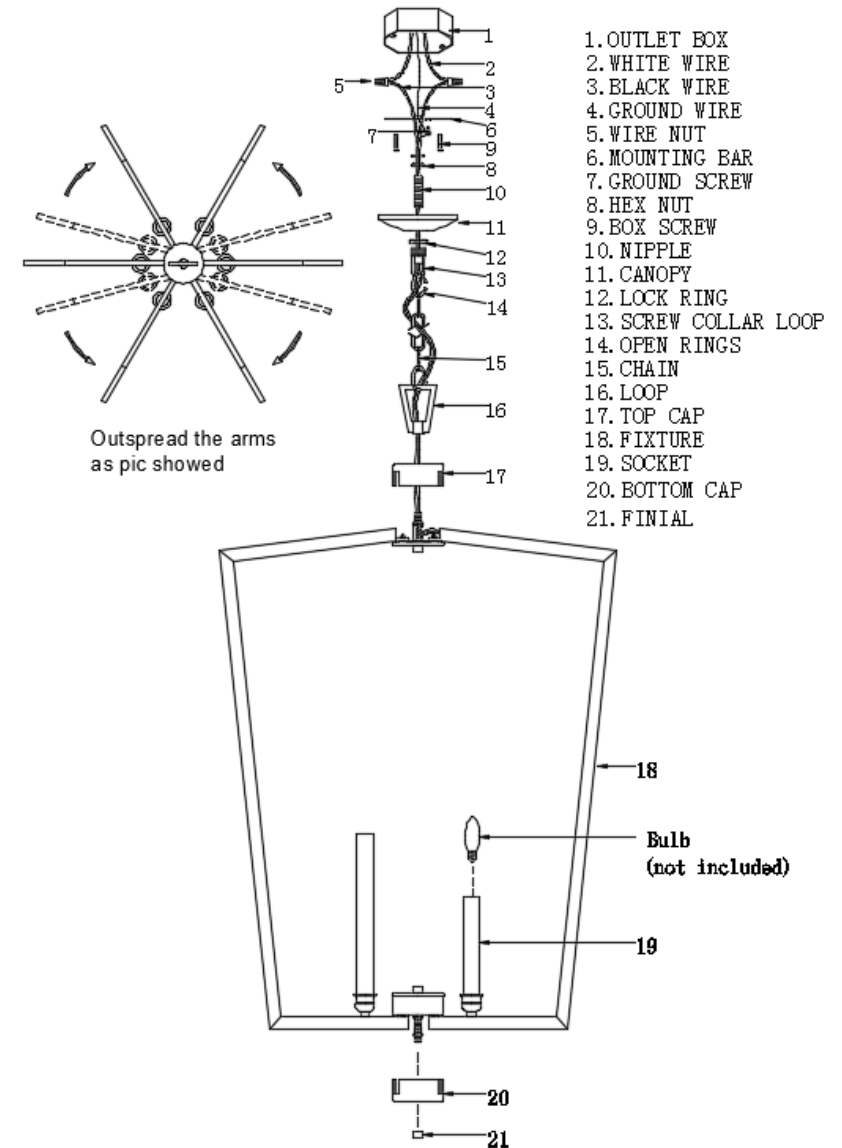
GENERAL

All electrical connections must be in accordance with local and National Electrical Code (N.E.C.) standards. If you are unfamiliar with proper electrical wiring connections obtain the services of a qualified electrician.

Remove the fixture and the mounting package from the box and make sure that no parts are missing by referencing the illustration.

ASSEMBLY AND INSTALLATION

1. Spread out all six tubes of the fixture.(See drawing).
2. Use the loop (16) to lock the top cap (17) onto the fixture (18).
3. Use the finial (21) to lock the bottom cap (20) onto the fixture (18).
4. Attach mounting bar (6) with threaded nipple (10) and screw collar loop (12) and lock ring (13) to outlet box (1) secured with two box screws (9).
5. Attach open rings (14) to the screw collar loop (13) and the appropriate amount of chain(15).
6. Slide the lock ring (12) and the canopy (11) down the chain (15). Open the open rings (14) at the other end and then hook onto top of loop (16), close the quick links.
7. Weave the wires through the chain (15) and the screw collar loop (13) and thread nipple (10) up to outlet box.
8. Pull out the outlet wire and ground wire from the outlet box (1)
9. Make wire connections with wire nuts (5).
 - Ribbed wire (W/O marking) or white wire from light to White wire (2) from power source.
 - Smooth wire (W marking) or black wire from light to Black wire (3) from power source.
 - Attach the ground wire (4) to mounting bar (6) with a ground screw (7).
10. Raise canopy (11) against ceiling and lock it in position by lock ring (12) onto the screw collar loop (13).
11. Install bulbs to socket (19): (bulbs not included).
(Don't exceed the maximum capacity recommended on the sockets).



INSTALLATION IS NOW COMPLETED