

INSTALLATION AND SAFETY INSTRUCTIONS FOR ITEM NO:8014

FOR YOUR SAFETY

WARNING:BE SURE THE ELECTRICITY TO THE WIRES YOU ARE WORKING ON IS SHUT OFF:ETHER THE FUSE IS REMOVED OR THE CIRCUIT BREAKER IS SHUT OFF

GENERAL

You don't need special tools to install this fixture
Be sure to follow the steps in the order given. Under on circumstances should a fixture be hung on house electrical wires nor should a swag type heating system.Read instructions carefully
If you are unclear as to how to proceed, consult a qualified electrician

NOTE:Proper wiring is essential for the safe operation of this fixture

FIXTURE ASSEMBLY

Carefully removed the fixture from the carton and check that all parts are included as shown in figure. Be careful to misplace any of the screws or parts, which are needed to install this fixture

INSTALLATION

STEP 1:Insert the Glass Panel (I) into the top slot and the bottom slot of the cage(K), then, Secure the Glass Panel(I) by pressing the tabs in the cage

STEP 2: Lock the loop (H) on the nipple of the fixture, Attach single mounting bar(C) with threaded nipple and screw collar loop(G) to outlet box (D)secured with two box screws(A).

STEP 3: Attach the end of Chain(F) into screw collar loop(G), the other end of Chain attach on the fixture top loop (H)

STEP 4: Slide the lock ring (L)and the canopy (J) down on the chain (F).

STEP 5:Pull out the source wires from the outlet box(D)
Make wire connections using wire nuts(E)as follow
-- Ribbed wire (W/O marking) or white wire from light to White wire from power source.
--Smooth wire (W marking) or black wire from light to Black wire from power source.
--Attach the ground wire to mounting bar secured with a ground screw.

Carefully tuck the wires back into the outlet box.

STEP 6: Raise canopy (J) against ceiling and lock it in position by lock ring (L)onto The screw collar loop (G).

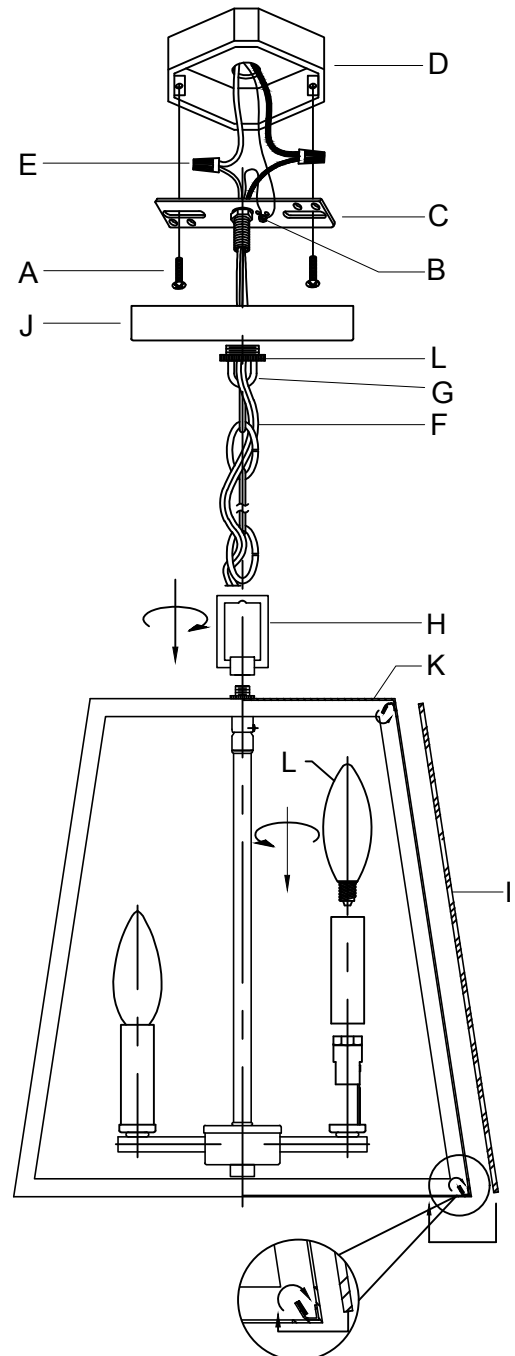
STEP 7: Install bulbs (bulbs not included)

See relamping label at socket area or packaging for maximum allowed wattage

CLEANING

To clean, Wipe fixture with a soft and dry cloth.
Do not use abrasive materials such as csouring pads or powders, steel wool or abrasive paper.

Line art shown may not exactly match the fixture enclosed.
However,the installations do apply to this fixture item on: 8014



warning: Need to check if the glass is perfect before assembling