

HR 1422-3 I

30" Range

Fully electric model with induction cooktop and DirectSelect controls



- Turn dial operation with display – DirectSelect
- State-of-the-art cooktop technology – four induction cooking zones
- Fast heating time and even heat distribution – TwinPower
- Minimal cleaning effort – Self-cleaning
- Easy opening & closing – noise and vibration absorbers

EAN: 4002516755906 / Material number: 12298850 /
Old Material Number: 25142281USA

General information	
Model number	HR 1422-3 I
Manufacturer material number	12298850
EAN number	4002516755906
Heating type	
Electric/Induction	•
Cooktop	Induction
Design	
Range	•
Appliance width in inches	30
Oven display	DirectSelect
Appliance color	Clean Touch Steel
Operating modes	
Surround	•
Maxi Broil	•
Convection Bake	•
Convection Roast	•
Bake	•
Convenience features	
Precise temperature control	75-575°F
Cooktop features	
Heating type	Induction
Number of induction cooking zones	4
Number of cooking zones with Booster function	4 cooking zones
Number of cooking zones with TwinBooster	2 cooking zones
Power level display	1 - 9
Number of cooking zones with keeping warm function	4 rings
Number of vario cooking zones	4 rings
Residual heat indicator	•
User convenience	
Precision knobs	•
SoftClose oven door/ SoftOpen	•
Automatic switch-off	•
Time of day display	•
Minute minder	•
Programmable cooking time	•
Individual settings	•
Appliance door	
Door contact switch	•
Oven compartment	
Oven cavity volume in cu. ft. (l)	4.59 (130) ft ³ (l)
Number of oven shelf levels	6
No. of halogen lamps	double
TwinPower hot air fans	•
Efficiency and sustainability	
Rapid PreHeat	•
Cleaning convenience	
Stainless-steel front with partial Clean Touch Steel finish	•

HR 1422-3 I

30" Range

Fully electric model with induction cooktop and DirectSelect controls



EAN: 4002516755906 / Material number: 12298850 /

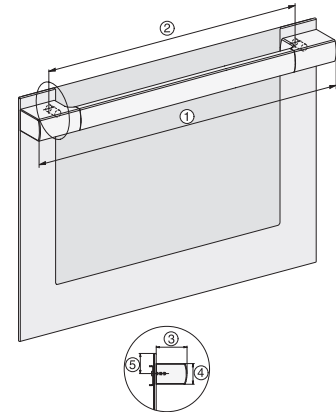
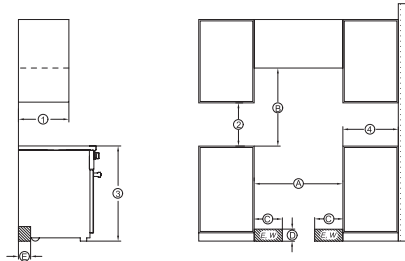
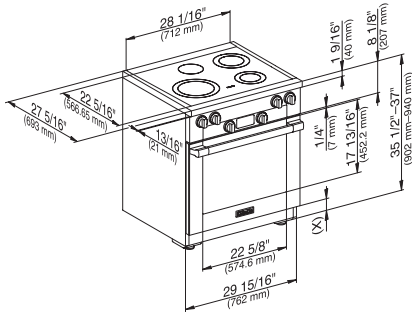
Old Material Number: 25142281USA

Oven with self-cleaning program	•
Unheated catalyzer	•
Catalyzer	unheated
Cooktop surface	Ceramic surface
CleanGlass door	•
Safety	
Appliance cooling system and cool touch front	•
Safety cut-out	•
System lock	•
Door contact switch	•
Door lock during self cleaning	•
Technical data	
Appliance height min in in.(mm)	35 5/8 (902)
Dimensions (depth) in in. (mm) with bullnose	27 3/4 (702)
Appliance height max in in.(mm)	37 1/8 (940)
Frequency in Hz	60
Appliance width in in. (mm)	30 (762)
Power Rating in V	120
Voltage in V	240/208
Fuse rating in A	50
Number of phases	1
Standard accessories	
Self Clean ready baking and roasting rack	1
Self clean ready baking and roasting racks with rail system	1
Side racks self clean ready	1

HR 1422-3 I

30" Range

Fully electric model with induction cooktop and DirectSelect controls



HR1421, HR1421-3, HR1422-3 i (installation drawing)

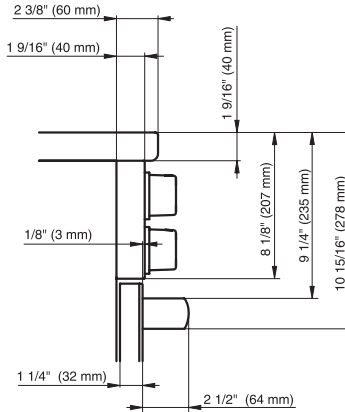
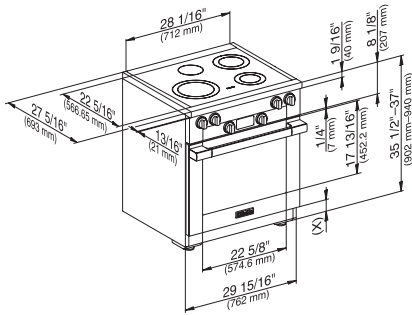
E = Electric connection

HR1422-3i, HR1622-3i, HR1432-3i, HR1632-3i – Installation drawing

(1) Maximum depth of top cabinet, (2) Minimum distance to bottom edge of top cabinet, (2) Distance from the floor to cooktop surface, (3) Minimum distance to combustible surfaces, (4) Distance from the floor to cooktop surface, (E) Electric connection, (W) Water connection, (A) Width of cabinet opening, (B) Minimum distance between the top of the cooking area and the bottom of an unprotected combustible surface, (C) Minimum distance to a protected combustible surface or when a Miele Ventilation Hood is installed. For all other Hoods please consult the manufacturer's specifications for required distances., (C) Maximum connection width right and left, (E) Maximum connection height

HR11xx-3, HR14xx-3, HR16xx-3i, HR17xx-3, HR19xx-3 installation drawings

30", (1) 20 3/4" / 527,6 mm, (2) 16 5/8" / 422,6 mm, (2) 2 1/2" / 64 mm, (2) 1 11/16" / 43 mm, (2) 1 11/16" / 42,5 mm, (3) 36", (2) 28 9/16" / 725 mm, (2) 22 5/8" / 575 mm, (2) 2 1/2" / 64 mm, (2) 1 11/16" / 43 mm, (2) 1 11/16" / 42,5 mm



HR1421-3, HR1422-3i (installation drawing)

(x) = Toe-kick height adjustment 5" - 6 1/2" (127 mm - 165.1 mm)

HR1421-3, HR1422-3i, HR1432-3i (installation drawing)