

DA 2390

Insert ventilation hood  
with energy-efficient LED lighting and backlit controls for easy use.



- Customized kitchen design – fully integrated in 34 7/8 (884) in (mm) width
- Space saving – suitable for narrow wall units from 11.8" deep
- Powerful – ?? in Booster level
- Efficient filtration- 10-ply stainless steel grease filters
- Safe and easy to clean – Miele CleanCover

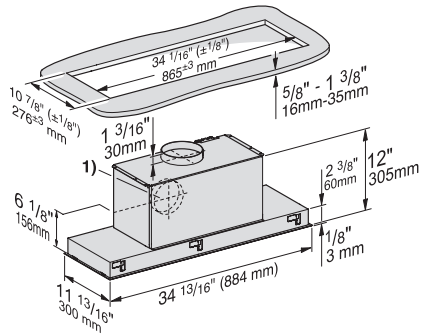
EAN: 4002515939932 / Material number: 10743660 / Old Material Number: 28239055USA

<b>Design</b>	
Insert ventilation hood	•
<b>Operating modes</b>	
Recirculated mode	Can be retrofitted
Recirculation conversion kit (order separately)	DUU 151
OdorFree charcoal filter (order separately)	DKF 19-P
<b>Design</b>	
Color	Stainless steel
<b>User convenience</b>	
Electronic controls	•
Power levels (number excl. Intensive)	3
CleanCover	•
<b>Filter system</b>	
Number of dishwasher-safe stainless-steel grease filters	2
<b>Lighting</b>	
LED	•
Number x W	4 x 3 W
Light intensity in lx	500 lx
Color temperature in K	3000 Kelvin
<b>Blower</b>	
Dual-action blower	•
AC motor	•
<b>Exhaust air</b>	
Air throughput	Values upon request
<b>Safety</b>	
Safety shut-off	•
<b>Technical data</b>	
Canopy width in in.(mm)	34 7/8 (884)
Canopy height in in.(mm)	2 1/2 (63)
Canopy depth in in.(mm)	11 3/4 (297)
Minimum height above electric hobs in mm	24 1/8 (610)
Minimum height above gas hobs (max. 12.6 kW total power, burner ≤ 4.5 kW) in mm	26 (660)
Net weight in lbs. (kg)	29 (13.0)
Length of electrical wire in ft (m)	4 (1.5)
Standard plug fitted	•
Total connected load in kW	0.36
Voltage in V	120
Fuse rating in A	15
Number of phases	1
Frequency in Hz	60
<b>Installation note</b>	
Vent connection at top	•
Vent connection at top and rear	•
Diameter of vent connection in in.(mm)	6 (150)
<b>Standard accessories</b>	
Non-return flap	•
<b>Optional accessories</b>	
OdorFree charcoal filter	Nein

DA 2390

Insert ventilation hood

with energy-efficient LED lighting and backlit controls for easy use.



DA2390 (Installation drawing) – US

1) Vent connection alternatively to rear