

DGC 7470

30" Compact Combi-Steam Oven XL

for steam cooking, baking, roasting with networking + BrilliantLight.



- Large clear-text display with sensor controls – DirectSensor
- Perfect results – DualSteam technology
- Crispy on the outside, succulent on the inside – Combi-Steam
- Convenient operation – water container behind lift-up panel
- Easy cleaning – PerfectClean stainless steel oven compartment

EAN: 4002516487753 / Material number: 11876250 / Old Material Number: 23747032USA

Construction type and design	
Combi-Steam Ovens	•
Combi-steam oven	•
VitroLine	•
Appliance color	Graphite grey
Convenience features	
Rapid PreHeat	•
Preheating	•
External steam generation	•
Climate sensor	•
Individual humidity settings in combination cooking	•
Menu cooking without transfer of taste	•
Miele Mix & Match	•
Automatic programs with individual setting of the cooking result	•
Keep-warm function	•
Crisp function	•
Operating modes	
Defrost	•
MasterChef automatic programs	•
Country-specific automatic programs	•
Combi-Steam	•
Combi cooking	•
Combi-Steam with Convection Bake	•
Combi Steam with Convection Bake	•
Combi-Steam with Surround	•
Combi Steam with Surround	•
Combi-Steam with Maxi Broil	•
Combi Steam with Maxi Broil	•
Steam cooking	•
Sous-vide	•
Reheating	•
Roast with moisture	•
Broiling operating modes	•
Maxi Broil	•
Broil	•
Convection Bake	•
Convection Roast	•
Intensive	•
Intensive Bake	•
Humidity Plus	•
Cake plus	•
Surround	•
Browning	•
Bake	•
Convection Broil	•
Convection Roast	•
Warm-up cookware	•
Special Modes	•
Special modes	•

DGC 7470

30" Compact Combi-Steam Oven XL

for steam cooking, baking, roasting with networking + BrilliantLight.



EAN: 4002516487753 / Material number: 11876250 / Old Material Number: 23747032USA

<b>User convenience</b>	
Networking with Miele@home	•
Display	DirectSensor
Symbols on control panel	•
SoftOpen	•
SoftClose	•
MultiLingua	•
Motorized lift-up control panel with SoftClose	•
Quantity-independent cooking	•
Steam cooking on up to 3 levels at the same time	•
Automatic menu cooking	•
Menu cooking	•
Steam reduction before end of programme	•
Time of day display	•
Date display	•
Minute minder	•
Programming start of cooking duration	•
Programming end of cooking duration	•
Programmable cooking time	•
Actual temperature display	•
Desired temperature display	•
Audible signal when desired temperature is reached	•
Default temperature	•
Favorites	•
Sabbath program	•
Individual settings	•
<b>Cleaning convenience</b>	
Stainless steel oven compartment with linen-weave pattern and PerfectClean finish	•
Stainless-steel cavity with linen surface structure	•
Foldable broil heater element	•
External steam generator	•
Maintenance programs	•
Soak program	•
Rinse program	•
Cavity drying program	•
Quick-release side racks	•
Removable side racks	•
Descaling	•
CleanGlass door	•
<b>Steam technology/water supply</b>	
DualSteam	•
MultiSteam	•
Fresh water container volume in l	1.4
Fresh-water container tank behind motorized lift-up control panel with SoftClose	•
Condensate container behind motorized lift-up control panel with SoftClose	•
Drain filter	•
<b>Safety</b>	
Cooling system with cool touch front	•

DGC 7470

30" Compact Combi-Steam Oven XL

for steam cooking, baking, roasting with networking + BrilliantLight.

EAN: 4002516487753 / Material number: 11876250 / Old Material Number: 23747032USA

Appliance cooling system and cool touch front	•
Safety shut-off	•
Safety cut-out	•
System lock	•
Vapor cooling system	•
Sensor lock	•
<b>Technical data</b>	
No. of rack levels	3
Labeling of rack levels	•
Door hinge side	Bottom
Oven interior lighting	BrilliantLight
Oven mode temperatures in °F (°C)	85-450 °F (30-230 °C)
Niche width min. in inches (mm)	28 5/8 (724)
Niche width min. in inches (mm)	724
Niche width max. in inches (mm)	28 5/8 (724)
Niche width max. in inches (mm)	724
Niche height min. in inches (mm)	18 5/8 (470)
Niche height min. in inches (mm)	470
Niche height max. in inches (mm)	18 5/8 (472)
Niche height max. in inches (mm)	472
Niche depth in in. (mm)	610
Niche depth in in. (mm)	24 1/8 (610)
Appliance dimensions (W x H x D) in inches (mm)	29 7/8 (757) x 18 7/8 (479) x 22 5/8 (573)
Appliance dimensions (W x H x D) in inches (mm)	
Appliance width in in. (mm)	29 7/8 (757)
Appliance width in in. (mm)	757
Appliance height in in. (mm)	18 7/8 (479)
Appliance height in in. (mm)	479
Appliance depth in in. (mm)	22 5/8 (573)
Appliance depth in in. (mm)	573
Weight in lbs. (kg)	98 (44.3)
Weight in lbs. (kg)	97.66 (44.3)
Weight in lbs. (kg)	98 (44.3)
Total connected load in kW	2.80-3.70
Power Rating in V	0
Usable voltage range in V	240/208
Frequency in Hz	60
Fuse rating in A	20
Number of phases	2
Connection wire with plug	•
Length of power cord in in. (m)	2
Replacing bulbs	Customer Service
<b>Standard accessories</b>	
PerfectClean universal baking tray	1
PerfectClean baking and roasting rack	1
Removable side racks with PerfectClean (pair)	1
Perforated stainless-steel cooking container	1
Unperforated stainless-steel cooking containers	1
Descaling tablets	2

DGC 7470

30" Compact Combi-Steam Oven XL

for steam cooking, baking, roasting with networking + BrilliantLight.



EAN: 4002516487753 / Material number: 11876250 / Old Material Number: 23747032USA

#### Available display languages

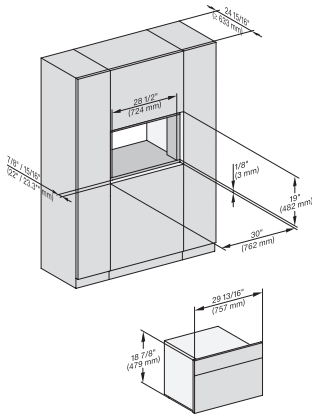
Available display languages via MultiLingua

bahasa malaysia, dansk,  
deutsch, english, español,  
français, hrvatski, italiano,  
magyar, nederlands,  
norsk, polski, portugês,  
русский, română,  
slovenčina, slovenščina,  
srpski, suomi, svenska,  
türkçe, українська, čeština,  
ελληνικά, , , ,

## DGC 7470

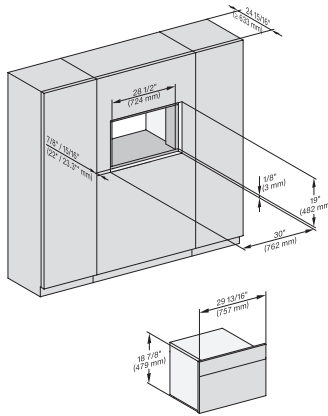
### 30" Compact Combi-Steam Oven XL

for steam cooking, baking, roasting with networking + BrilliantLight.



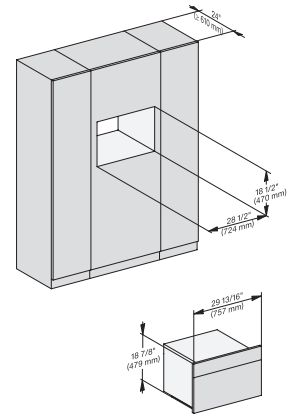
installation 30 inch Flush inset BM30, installation drawing, NA

7/8" – 22\* mm – Glas, 15/16" – 23.3\*\* mm – Edelstahl



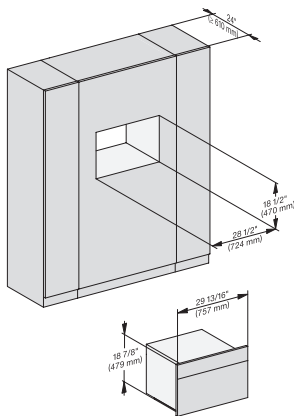
installation 30 inch Flush inset wide front BM30, installation drawing, NA

7/8" – 22\* mm – Glas, 15/16" – 23.3\*\* mm – Edelstahl



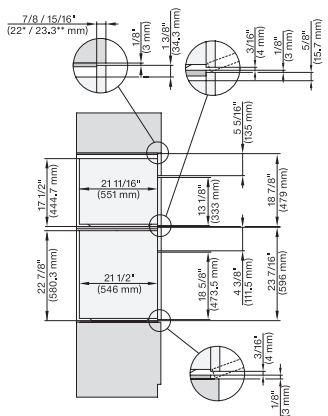
installation 30 inch Proud BM30, installation drawing, NA

7/8" – 22\* mm – Glas, 15/16" – 23.3\*\* mm – Edelstahl



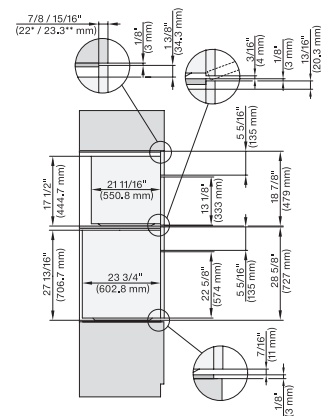
installation 30 inch Proud wide front BM30, installation drawing, NA

7/8" – 22\* mm – Glas, 15/16" – 23.3\*\* mm – Edelstahl



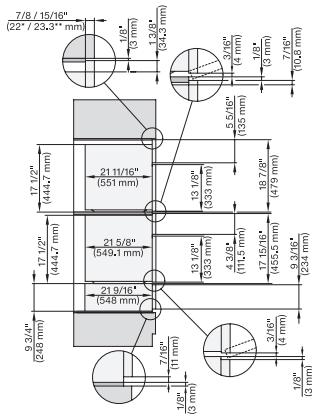
H 6560 B + EBA 6808, H 6x60 BP + EBA 6808, H 6x70 BM, DGC 7xxx, EBA 78x8, H 7xxx Combi, Install drawing, Flush inset, NA

7/8" – 22\* mm – Glas, 15/16" – 23.3\*\* mm – Edelstahl



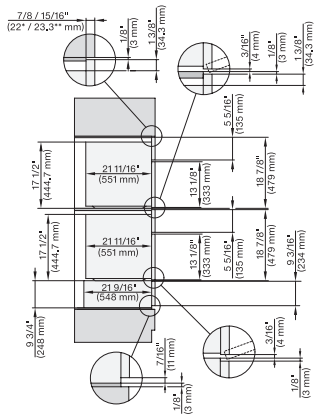
H 6x80 BP, H 6x70 BM, H 6x80-2BP, DGC 7x7x, H 7xxx Combi, Installation drawing, Flush inset, NA

7/8" – 22\* mm – Glas, 15/16" – 23.3\*\* mm – Edelstahl



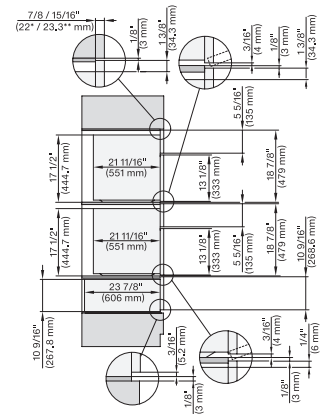
H 6x70 BM, H 6x00 BM + EBA 6808, ESW 6x85, DGC7x7x, EBA7848, H7xxx, ESW7x70 Combi, Installation drawing, Flush inset, NA

7/8" – 22\* mm – Glas, 15/16" – 23.3\*\* mm – Edelstahl



H 6x70 BM, ESW 6x85, DGC7xxx, H7x7x, ESW 7x70 Combi, Installation drawing, Flush inset, Flush inset, NA

7/8" – 22\* mm – Glas, 15/16" – 23.3\*\* mm – Edelstahl



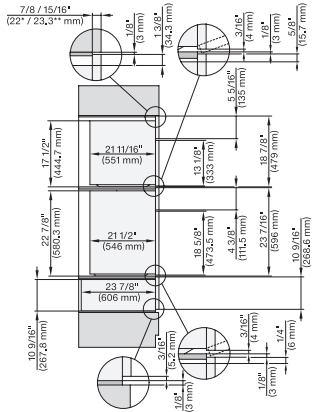
H 6x70 BM, ESW 6x80, DGC7xxx, H7x70, ESW 7x80 Combi, Installation drawing, Flush inset, Flush inset, NA

7/8" – 22\* mm – Glas, 15/16" – 23.3\*\* mm – Edelstahl

## DGC 7470

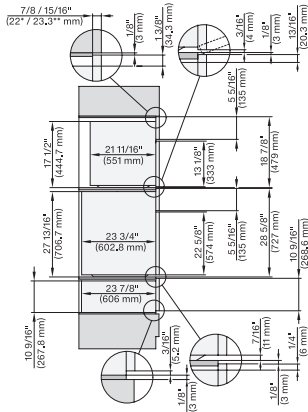
### 30" Compact Combi-Steam Oven XL

for steam cooking, baking, roasting with networking + BrilliantLight.



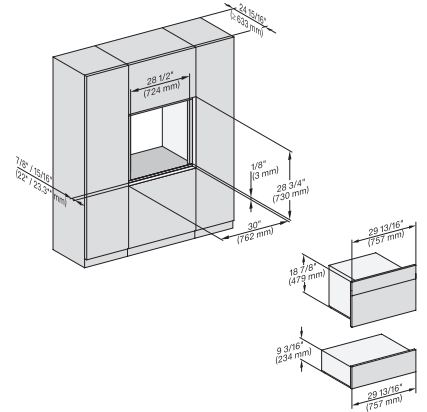
(H 6560 B, H 6x60 BP) + EBA6808; H 6x70, ESW 6x80, H7xxx, EBA7868, ESW7x80 Combi, Installation drawing, Flush inset, NA

7/8" – 22" mm – Glas, 15/16" – 23.3" mm – Edelstahl

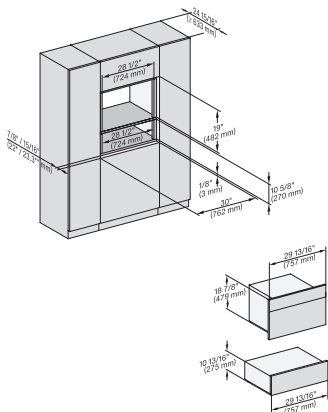


H 6x80 BP, H 6x70 BM, ESW 6x80, H 6x80-2BP, DGC7xxx, H 7xxx, ESW7x80 Combi, Installation drawing, Flush inset, NA

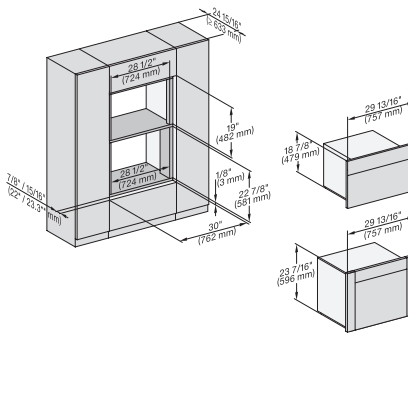
7/8" – 22" mm – Glas, 15/16" – 23.3" mm – Edelstahl



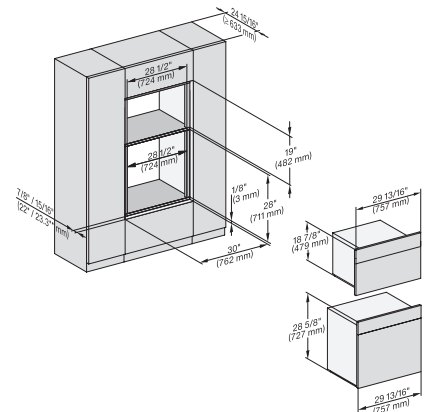
H 6x70 BM, ESW 6x85, DGC7x7x, H7x7x, Exx7x70 Fitting Combi, Installation drawing, Flush inset, NA



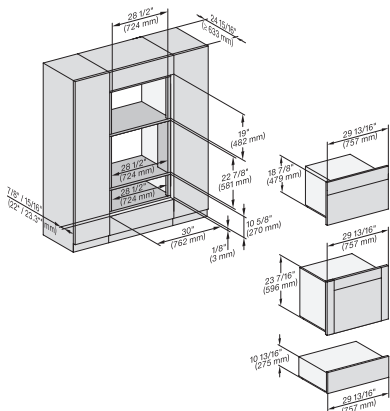
H 6x70 BM, ESW 6x80, DGC7x7x, H7x7x, ESW7x80 Fitting Combi, Installation drawing, Flush inset, NA



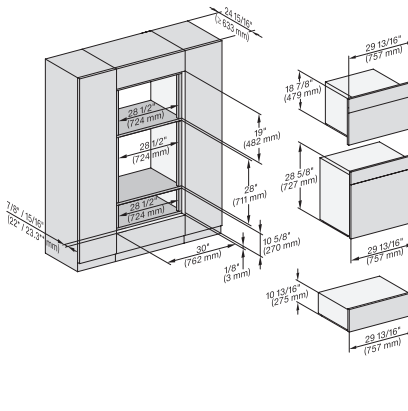
H 656x, H 6x60, DGC686x+EBA 6808, H 6x70, DGC 676x, DGC7x7x. EBA7868, H 7xxx, Fitti Combi, Install drawi, Flush inset, NA



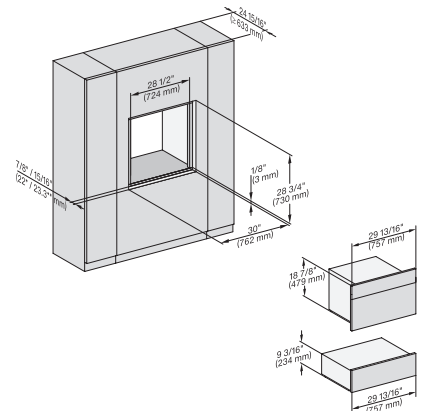
H 6x80 BP, H 6x70 BM, H 6x80-2BP, DGC7x7x, H7xxx Fitting Combi, Installation drawing, Flush inset, NA



H 6x60 B/BP, DGC 686x AM+ EBA 6808; H 6x70 BM, ESW 6x80, DGC 676x, DGC 7x7x, EBA 7868, ESW7x780, Installation drawing, NA



H 6x80 BP, H 6x70 BM, ESW 6x80, H 6x80-2BP, DGC7xxx, H7xxxBM/BMX/BP/BPX, H2x80BP, ESW7x80, Installation drawing, NA

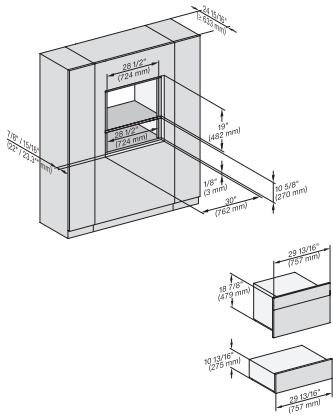


H 6x70 BM, ESW 6x85, DGC 7xxx, H7x70 BM/BMX, ESW 7x70, EVS 7670, Installation drawing, Flush inset, NA

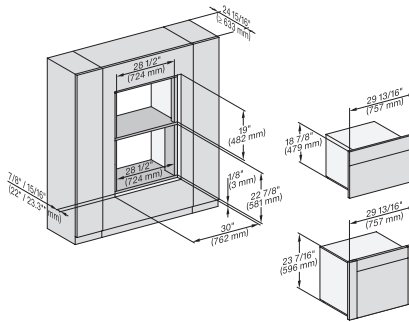
## DGC 7470

### 30" Compact Combi-Steam Oven XL

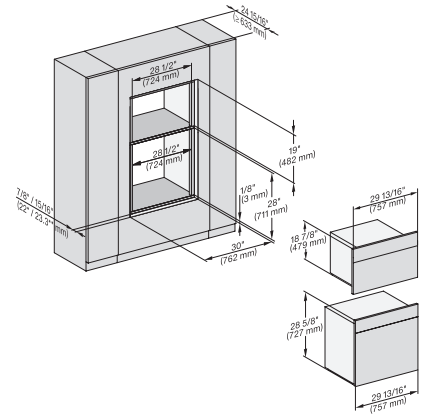
for steam cooking, baking, roasting with networking + BrilliantLight.



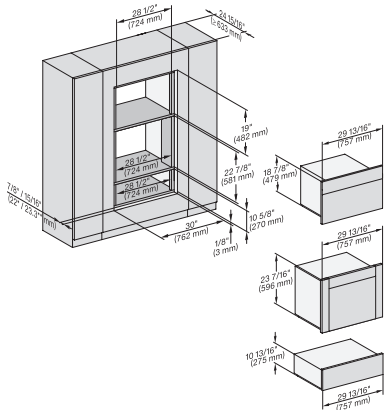
H 6x70 BM, ESW 6x80, DGC7x7x, H7x70 BM/BMx, ESW 7x80 Fitting Combi wide front, Installation drawing, Flush inset, NA



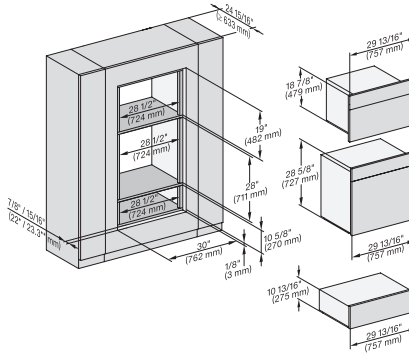
H 6x60 B/BP, DGC 686x AM, EBA 6808; H 6x70 BM, DGC 676x, DGC7xxx, H7xxxBP, EBA7868 Installation drawing, Flush inset, NA



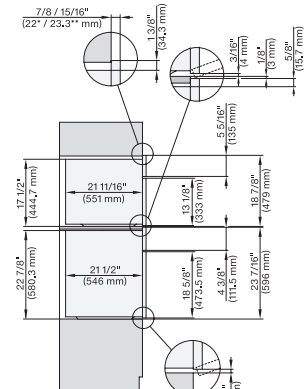
H 6x80 BP, H 6x70 BM, H 6x80-2BP, DGC 7x7x, H7xxx x BM/BP/BPX, H 2880 PB, Installation drawing, Flush inset, NA



(H6560 B, H6x60 BP, DGC686x AM) + EBA6808, H6x70 BM, DGC676x, ESW6x80, DGC7xxx, EBA7868, H7xxxBP, ESW7x80, NA

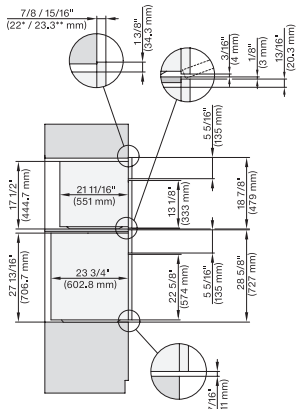


H 6x80 BP, H 6x70 BM, ESW 6x80, H 6x80-2BP, DGC7x7x, H7xxxBM/BMx/BP, H2xxxBP, ESW7xxx, NA



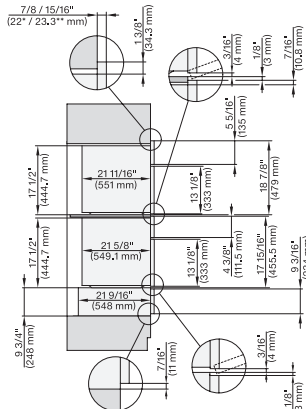
H6560B + EBA6808, H6x60BP + EBA6808, H6x70BM, DGC7xxx+EBA7484, H7xxx+EBA7686, Combi, Installation drawing, Proud, NA

7/8" – 22\* mm – Glas, 15/16" – 23.3\*\* mm – Edelstahl



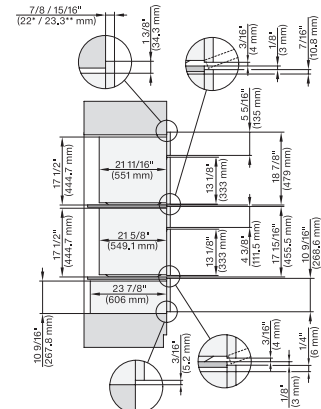
H 6x80 BP, H 6x70 BM, H 6x80-2BP, DGC7x7x, H7x70BM, H7x80BPx, Combi, Installation drawing, Proud, NA

7/8" – 22\* mm – Glas, 15/16" – 23.3\*\* mm – Edelstahl



H6x70BM, H6x00BM+EBA6808, ESW6x85, DGC7x70, H7xx0BM(x)+EBA7848, ESW7x70, EVS7670, Combi, Installation drawing, Proud, NA

7/8" – 22\* mm – Glas, 15/16" – 23.3\*\* mm – Edelstahl



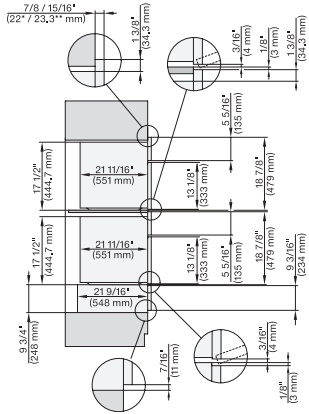
H6x70BM, H6x00BM+EBA6808, ESW6x80, DGC7x7x(x), H7xx0BM(x)+EBA7848, ESW7x80, Combi, Installation drawing, Proud, NA

7/8" – 22\* mm – Glas, 15/16" – 23.3\*\* mm – Edelstahl

## DGC 7470

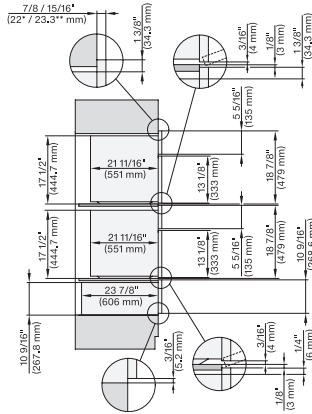
### 30" Compact Combi-Steam Oven XL

for steam cooking, baking, roasting with networking + BrilliantLight.



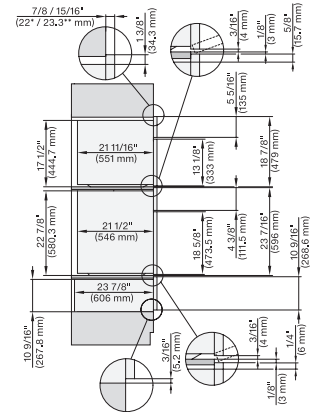
H6x70BM, ESW6x85, DGC7x7x, H7x70BM, ESW7x70, EVS7670, Combi, Installation drawing, Proud, Flush inset, NA

7/8" – 22" mm – Glas, 15/16" – 23.3" mm – Edelstahl



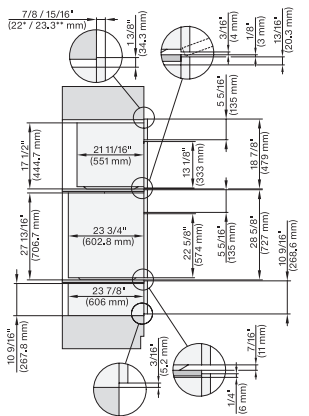
H6x70BM, ESW6x80, DGC7x7x(X), H7x70BM, ESW7x80, Combi, Installation drawing, Proud, Flush inset, NA

7/8" – 22" mm – Glas, 15/16" – 23.3" mm – Edelstahl



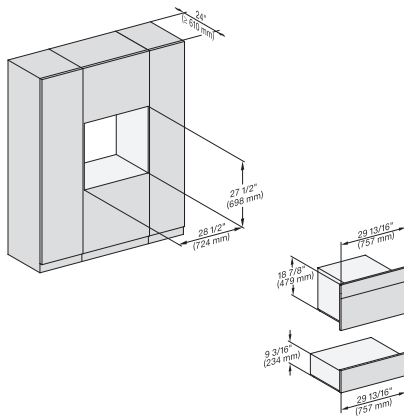
(H6560B, H6x60BP)+EBA6808, H6x70BM, ESW6x80, H7x6x6BP+EBA7868, H7x70BM(X), ESW7x80, Combi, Proud, Flush inset, NA

7/8" – 22" mm – Glas, 15/16" – 23.3" mm – Edelstahl

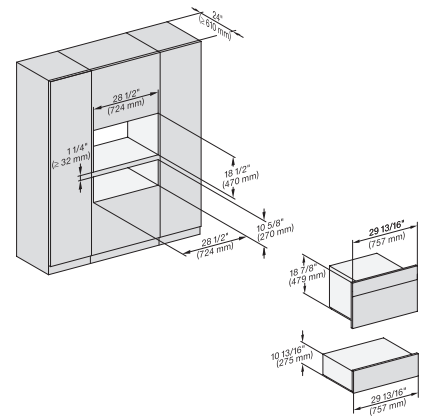


H6x80(2)BP, H6x70BM, ESW6x80, DGC7x7x(X), H7x70BM(X), H7x80BP, ESW7x80, Combi, Installation drawing, Proud, Flush inset,

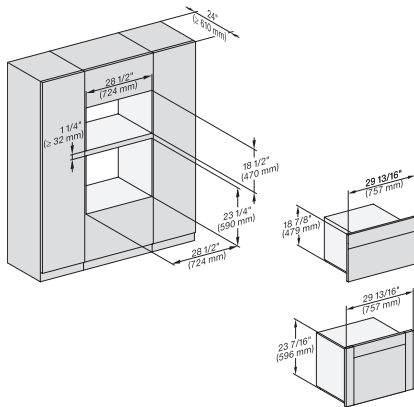
7/8" – 22" mm – Glas, 15/16" – 23.3" mm – Edelstahl



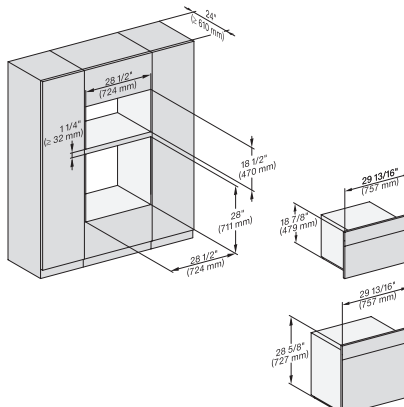
H6x70BM, ESW6x85, DGC7x7x, H7x70BMX, ESW7x70, EVS7x70, Fitting Combi, Installation drawing, Proud, NA



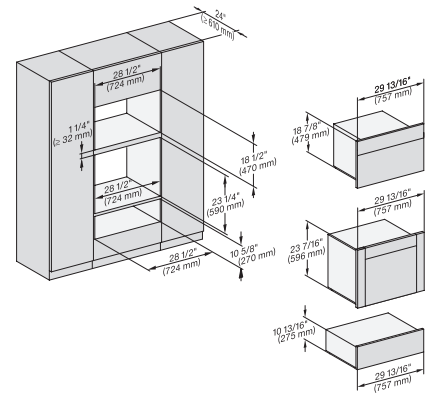
H6x70 BM, ESW 6x80, DGC7x70X, H7x70BM, ESW7x80, Fitting Combi, Installation drawing, Proud, NA



(H6560B, H6x60BP, DGC686xAM)+EBA6808, H6x70BM, DGC676x, DGC7x70, H7x6x6BP+EBA7868, Fitting Combi, Installation drawing, Proud, NA



H6x80BP, H6x70BM, H6x80-2BP, DGC7x7x, H7x70BM, H2x80BP, H7x80BP(X), Fitting Combi, Installation drawing, Proud, NA



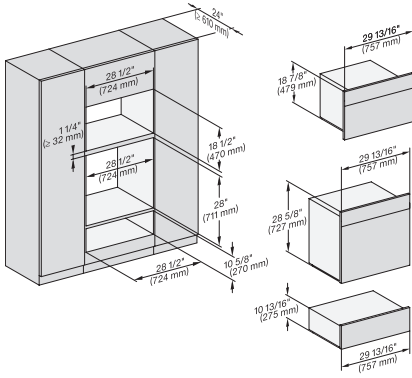
(H6560B, H6x60BP, DGC686xAM)+EBA6808; H6x70BM, ESW6x80, DGC676x, NA7000 Fitting Combi, Installation drawing, Proud, NA



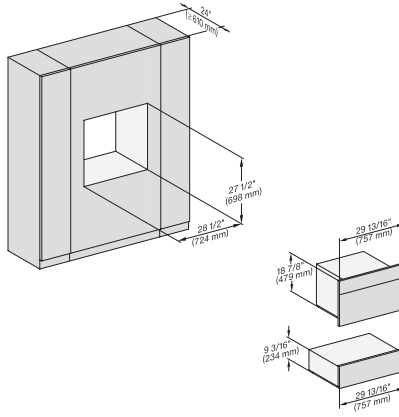
## DGC 7470

### 30" Compact Combi-Steam Oven XL

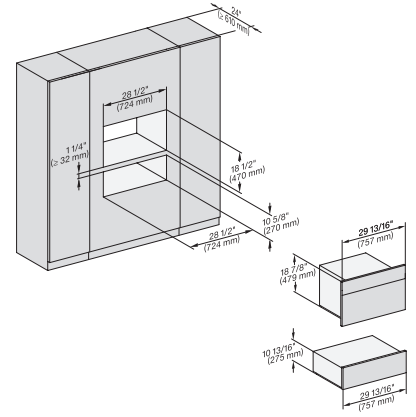
for steam cooking, baking, roasting with networking + BrilliantLight.



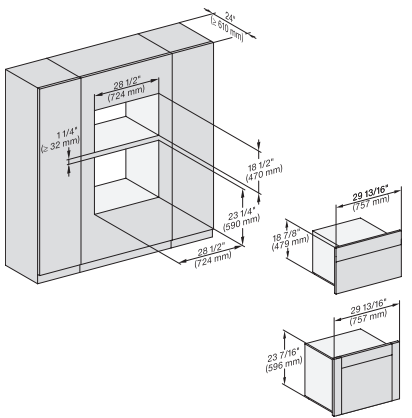
H 6x80 BP, H 6x70 BM, ESW 6x80, H 6x80-2BP, NA7000 Fitting Combi, Installation drawing, Proud, NA  
<https://miele-mms.de.miele.net/mms/admin/forward.php#>



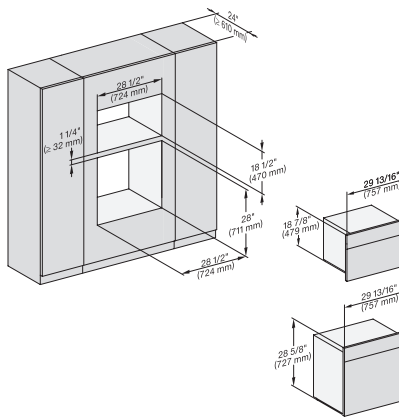
H6x70BM, ESW6x85, DGC7x7(X), H7x70BM(X), ESW7x70, EVS7670, Fitting Combi wide front, Installation drawing, Proud, NA



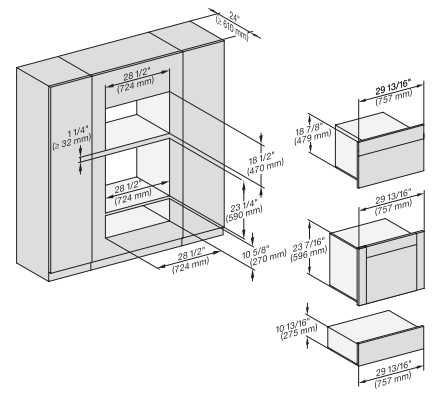
H6x70BM, ESW6x80, DGC7x7(X), H7x70BM(X), ESW7x80, Fitting Combi wide front, Installation drawing, Proud, NA



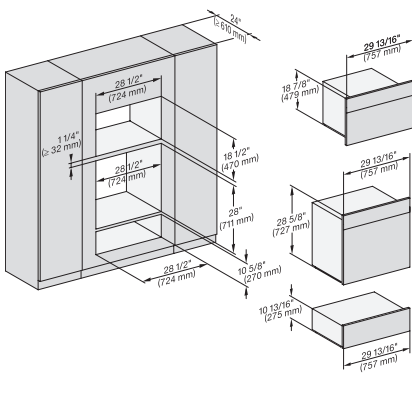
(H6560B, H6x60BP, DGC686xAM) + EBA680B; H6x70BM, DGC676x, NA7000, Fitting Combi wide front, Installation drawing, Proud



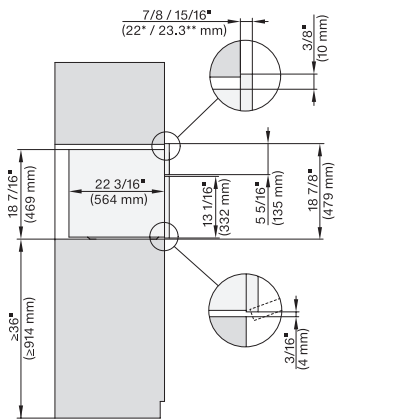
H6x80BP, H 6x70 BM, H 6x80-2BP, NA7000 Fitting Combi wide front, Installation drawing, Proud, NA



(H6560 B, H6x60 BP, DGC686x AM) + EBA680B, H6x70 BM, DGC676x, ESW6x80, NA7000 Fitting Combi w. front, drawing, Proud, NA

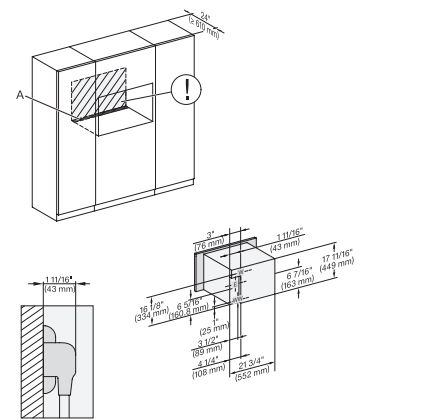


H 6x80 BP, H 6x70 BM, ESW 6x80, H 6x80-2BP, NA7000, Fitting Combi wide front, Installation drawing, Proud, NA



side view 30 inch Proud DGC30 XL, installation drawing, NA

7/8" – 22" mm – Glass, 15/16" – 23.3\*\* mm – Stainless steel



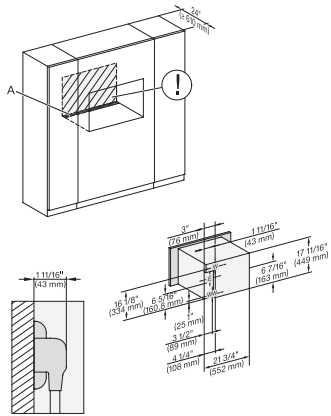
installation 30 inch Proud DGC30 XL, installation drawing, NA

A – Cut-out (1 9/16" x 19 11/16" / 40 mm x 500 mm) in the bottom of the cabinet for power cord and ventilation, – Electrical and water supplies are recommended to be placed in adjacent cabinetry. Additional cabinet depth is required when placing the electrical and water supplies behind the appliance., E = Electric connection

## DGC 7470

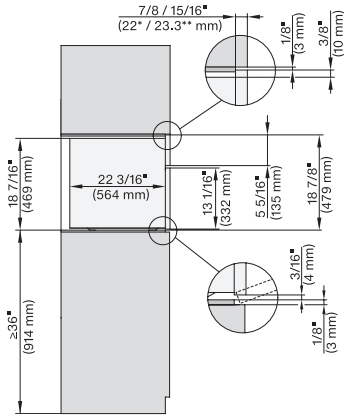
### 30" Compact Combi-Steam Oven XL

for steam cooking, baking, roasting with networking + BrilliantLight.



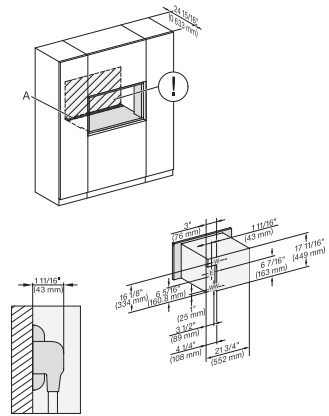
installation 30 inch Proud wide front DGC30 XL, installation drawing, NA

A – Cut-out (1 9/16" x 19 11/16" / 40 mm x 500 mm) in the bottom of the cabinet for power cord and ventilation, – Electrical and water supplies are recommended to be placed in adjacent cabinetry. Additional cabinet depth is required when placing the electrical and water supplies behind the appliance., E = Electric connection



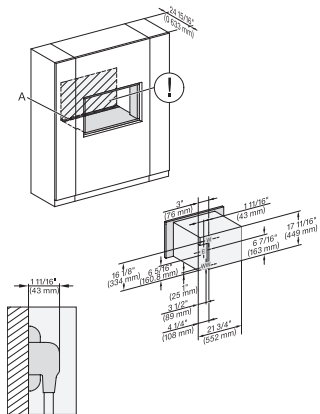
side view, 30 inch Flush inset DGC30\_XL, installation drawing, NA

7/8" – 22" mm – Glass, 15/16" – 23.3" mm – Stainless steel



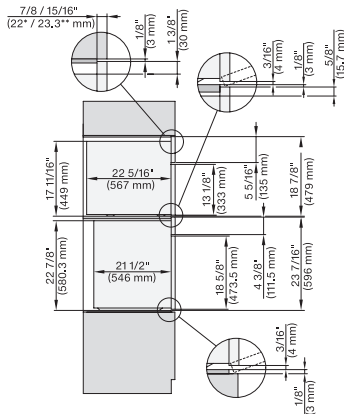
installation 30 inch Flush inset DGC30 XL, installation drawing, NA

A – Cut-out (1 9/16" x 19 11/16" / 40 mm x 500 mm) in the bottom of the cabinet for power cord and ventilation, – Electrical and water supplies are recommended to be placed in adjacent cabinetry. Additional cabinet depth is required when placing the electrical and water supplies behind the appliance., E = Electric connection



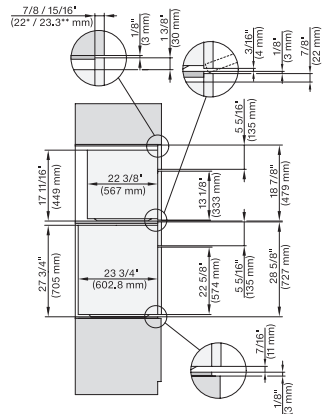
installation 30 inch Flush inset wide front DGC30 XL, installation drawing, NA

A – Cut-out (1 9/16" x 19 11/16" / 40 mm x 500 mm) in the bottom of the cabinet for power cord and ventilation, – Electrical and water supplies are recommended to be placed in adjacent cabinetry. Additional cabinet depth is required when placing the electrical and water supplies behind the appliance., E = Electric connection



DGC7xx0(X), H7x6xBP+EBA7848, side view, 30 Zoll, Flush inset, combi, XL, 650S

7/8" – 22" mm – Glass, 15/16" – 23.3" mm – Stainless steel



DGC7x7x(X), H7x8x(X)BP, side view, 30 Zoll, Flush inset, combi, XL, 650

7/8" – 22" mm – Glass, 15/16" – 23.3" mm – Stainless steel

