

HR 1724-3 LP DF

30 inch range

Dual Fuel model with DirectSelect controls.



- Turn dial operation with display – DirectSelect
- Plenty of space for cooking – four powerful burners
- Fast heating time and even heat distribution – TwinPower
- Minimal cleaning effort – Self-cleaning
- Easy opening & closing – noise and vibration absorbers

EAN: 4002516486473 / Material number: 11791540 / Old Material Number: 25172482USA

<b>Type of heating</b>	
Dual fuel	•
Gas type	Liquid gas
<b>Construction type</b>	
Range	•
Appliance width in inches	30
<b>Operating modes</b>	
Maxi Broil	•
Surround	•
Bake	•
Convection Roast	•
<b>Design</b>	
Appliance color	Clean Touch Steel
Oven display	EasyControl
<b>Cooktop features</b>	
Number of gas burners	4
Number of power burners x power in BTU	1 x 12.50
Number of high burners x power in BTU	3 x 19.50
True Simmer function	•
GasStop	•
<b>Control panel</b>	
Precision knobs	•
Automatic switch-off	•
Individual settings	•
<b>User convenience</b>	
Time of day display	•
Minute minder	•
Programmable cooking time	•
<b>Door</b>	
CleanGlass door	•
Door contact switch	•
SoftClose oven door/ SoftOpen	•
<b>Cavity</b>	
Oven cavity volume in cu. ft. (l)	4.59 (130) ft <sup>3</sup> (l)
Number of oven shelf levels	6
No. of halogen lamps	2
TwinPower hot air fans	•
<b>Efficiency and sustainability</b>	
Rapid PreHeat	•
<b>Cleaning convenience</b>	
Stainless-steel front with partial Clean Touch Steel finish	•
Oven with self-cleaning program	•
Unheated catalyzer	•
ComfortClean dishwasher-safe grates	•
Cooktop surface	Black enamel
<b>Safety</b>	
Appliance cooling system and cool touch front	•
Safety cut-out	•
System lock	•
Door contact switch	•

HR 1724-3 LP DF

30 inch range

Dual Fuel model with DirectSelect controls.



EAN: 4002516486473 / Material number: 11791540 / Old Material Number: 25172482USA

Door lock during self cleaning

•

#### Technical data

Dimensions (depth) in in. (mm) with bullnose	27 1/2 (698)
--	--------------

Appliance width in in. (mm)	30 (762)
-----------------------------	----------

Power Rating in V	120
-------------------	-----

Voltage in V	240/208
--------------	---------

Number of phases	1
------------------	---

Fuse rating in A	30
------------------	----

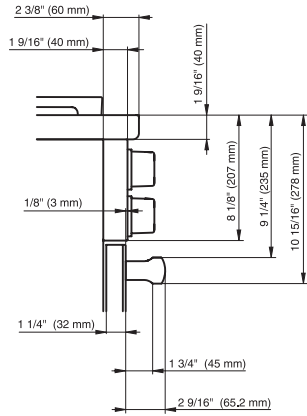
#### Accessories supplied

Self Clean ready baking and roasting rack	1
---	---

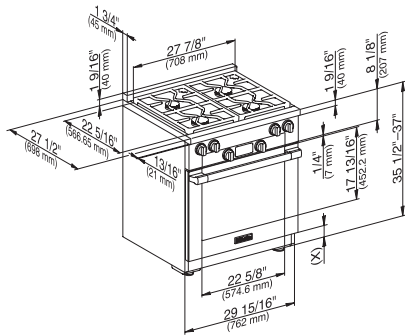
Self clean ready baking and roasting racks with rail system	1
---	---

Side racks self clean ready	1
-----------------------------	---

HR 1724-3 LP DF  
30 inch range  
Dual Fuel model with DirectSelect controls.

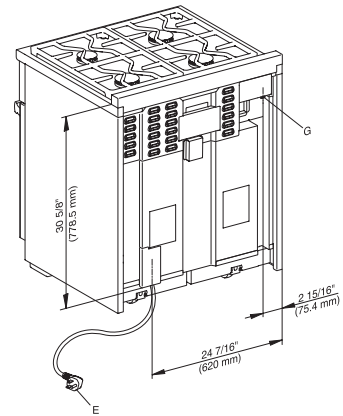


HR11xx, HR1724 (Installation drawing)



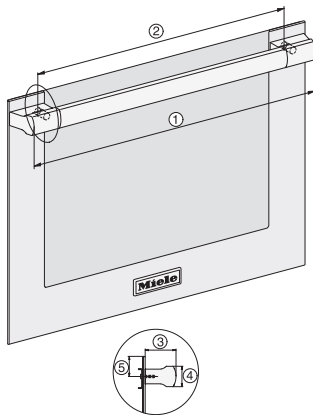
HR1724, HR1724-3 (installation drawing)

(x) = Toe-kick height adjustment 5" - 6 1/2" (127 mm - 165.1 mm)



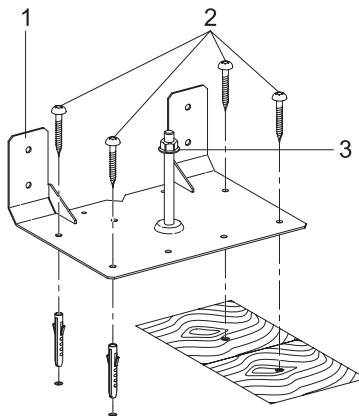
HR1724, HR1724-3 (installation drawing)

E = Electric connection, G = Gas connection



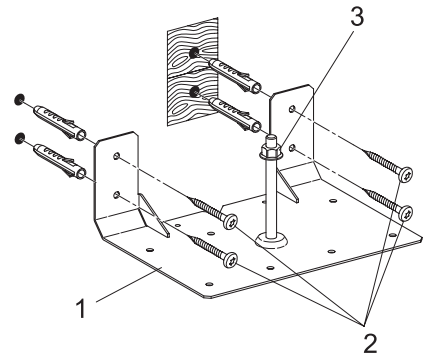
H1xxx installation drawings

1 29 11/16" / 754 mm, 2 23 3/4" / 603,6 mm, 3 2 5/8" / 66,5 mm, 4 1 11/16" / 43 mm, 5 1 11/16" / 42,5 mm



HR11xx, HR19xx, HR 17xx - Installation drawing

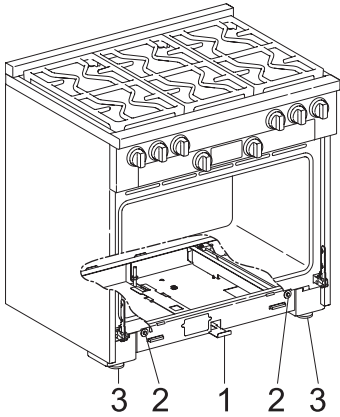
1 Anti-tip device, 2 Screws, 3 Locking nut



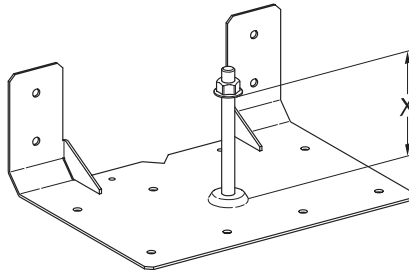
HR11xx, HR19xx - Installation drawing

1 Anti-tip device, 2 Screws, 3 Locking nut

HR 1724-3 LP DF  
30 inch range  
Dual Fuel model with DirectSelect controls.

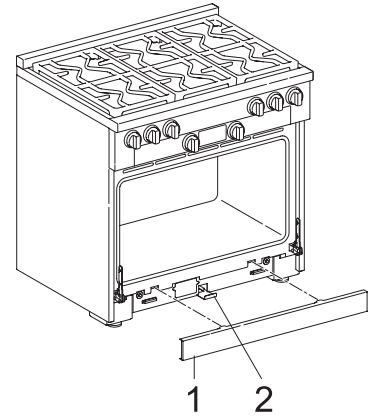


HR11xx, HR19xx, HR17xx – Installation drawing  
1 Anti-tip device , 2 Screws, 3 Locking nut

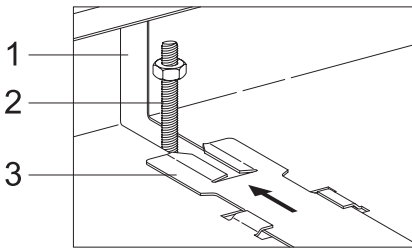


HR11xx, HR19xx, HR17xx – Installation drawing

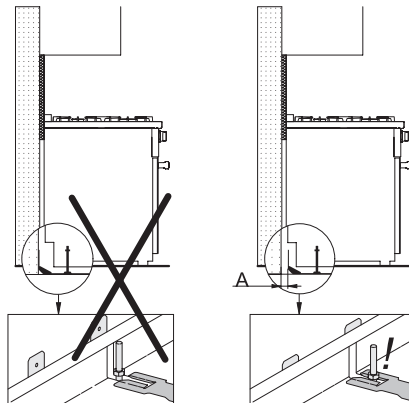
X 3 13/16" (97 mm): HR1124, HR1134, HR1135, HR1136, HR1724, HR1924, HR1934, HR1935, HR1936, HR1954, HR1955, HR1956, , X 3 1/4" (82 mm): HR1134-2, HR1134-3, HR1135-2, HR1135-3, HR1136-2, HR1136-3, HR1924-2, HR1924-3, HR1934-2, HR1934-3, HR1935-2, HR1935-3, HR1936-2, HR1936-3, HR1954-2, HR1954-3, HR1955-2, HR1955-3, HR1956-2, HR1956-3



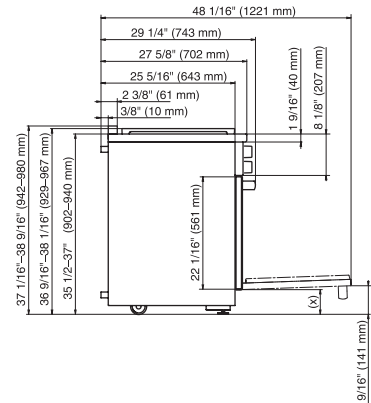
HR11xx, HR19xx, HR17xx – Installation drawing  
1 Toe kick cover , 2 Locking clamp



HR11xx, HR19xx, HR17xx – Installation drawing  
1 Opening in the range housing , 2 Bolt of the anti-tip device , 3 Locking clamp with slot



HR11xx, HR19xx, HR17xx – Installation drawing  
A = Distance between the rear of the range to the supporting wall



HR1124-3, HR1134-3, HR1135-3, HR1136-3, HR1724-3,  
Side view, installation drawing  
(x) = Toe-kick height adjustment 5" – 6 1/2" (127 mm – 165.1 mm)