

EVS 7010 AM

Handleless vacuum sealing drawer, 24" width and 5 5/8" height for professional vacuum sealing of food.



- Remaining fresh for longer – storage and portioning of food
- Intense taste sensations – food marination
- Preparation of food for sous-vide cooking
- Easy handling – Touch control and fully telescopic runners
- Push2open – opening the drawer couldn't be easier

EAN: 4002516491408 / Material number: 11845430 / Old Material Number: 30701021USA

Construction type and design	
Built-in vacuum drawer	•
VitroLine	•
ArtLine	•
No Handles	•
Color	Obsidian black
Convenience features	
Preparing for Sous Vide cooking	•
Longer storage life of food	•
Marinating food	•
Operating modes	
Vacuumping	•
Range of applications	
Vacuum sealing food	•
Marinating food	•
Dividing food into portions	•
Vacuum sealing containers	•
Resealing original packaging	•
Sealing jars	•
Vacuum sealing liquids	•
User convenience	
Stainless-steel vacuum sealing chamber capacity in l	8,0
Minimum bag size in inch (mm)	9 7/8 (250)
Maximum bag size in mm	13 7/8 (350)
Push2open mechanism	•
Fully telescopic runners for easy loading and unloading	•
Control panel with sensor control	•
Control panel with text	•
Timers	•
Stop programming	•
Timer function	•
Min. vacuum settings	1
Max. vacuum settings	3
LED vacuum setting indicator	•
Min. vacuum settings for external containers	1
Max. vacuum settings for external containers	3
LED vacuum strength indicator for external containers	•
Sealing duration settings	1 - 3
LED sealing duration indicator	•
Stop function	•
Air extraction technology	
Stainless-steel vacuum chamber	•
Pump capacity in m ³ /h	2.35 (4)
Cleaning convenience	
Flush control panel	•
Note regarding moisture removal from the vacuum pump	•
Replaceable sealing bar	•
Safety	
Safety cut-out	•

EVS 7010 AM

Handleless vacuum sealing drawer, 24" width and 5 5/8" height
for professional vacuum sealing of food.

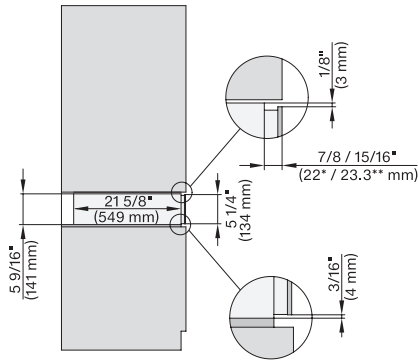


EAN: 4002516491408 / Material number: 11845430 / Old Material Number: 30701021USA

Technical data	
Appliance width in in. (mm)	23 1/2 (595)
Appliance height in in. (mm)	5 5/8 (141)
Appliance depth in in. (mm)	22 1/2 (570)
Useable interior height in in. (mm)	3 1/4 (80)
Total connected load in kW	0.00
Voltage in V	120
Frequency in Hz	60
Fuse rating in A	10
Number of phases	1
Connection wire with plug	•
Wire length in ft. (m)	5 (1.8)
Accessories supplied	
Adapter for vacuum sealing container	1
Vacuum sealing bag support	1

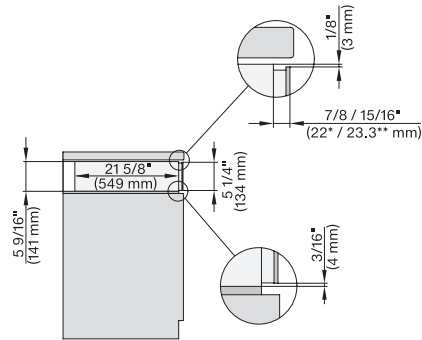
EVS 7010 AM

Handleless vacuum sealing drawer, 24" width and 5 5/8" height for professional vacuum sealing of food.



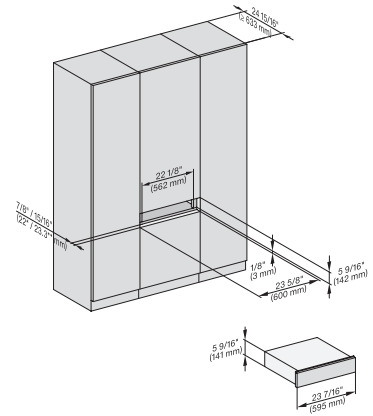
ESW 6x14, EVS 6114, ESW 7x10, EVS 7010 side view, installation drawing, Flush inset, NA

7/8" – 22" mm – Glas, 15/16" – 23.3** mm – Edelstahl



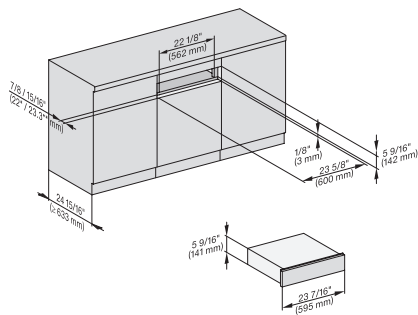
EVS6114, EVS 7010 side view built-under, installation drawing, Flush inset, NA

7/8" – 22" mm – Glas, 15/16" – 23.3** mm – Edelstahl



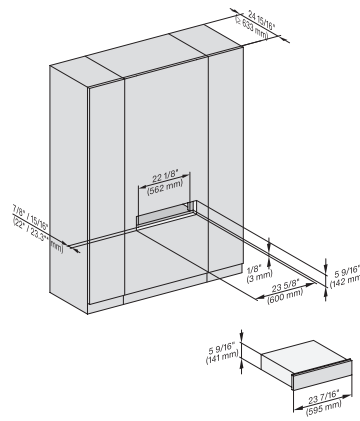
ESW 6x14, EVS 6114, ESW 7xxx, EVS 7010 fitting, installation drawing, Flush inset, NA

7/8" – 22" mm – Glas, 15/16" – 23.3** mm – Edelstahl



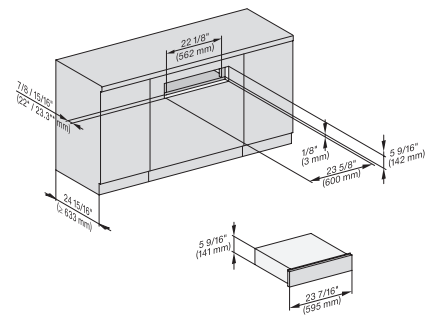
EVS6114, fitting built-under, installation drawing, Flush inset, NA

7/8" – 22" mm – Glas, 15/16" – 23.3** mm – Edelstahl



ESW 6x14, EVS 6114, fitting wide front, installation drawing, Flush inset, NA

7/8" – 22" mm – Glas, 15/16" – 23.3** mm – Edelstahl

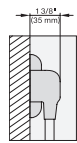
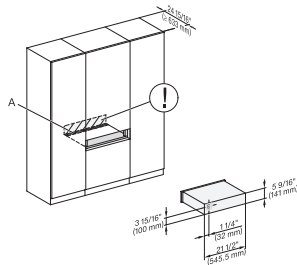


EVS6114, fitting wide front built-under, installation drawing, Flush inset, NA

7/8" – 22" mm – Glas, 15/16" – 23.3** mm – Edelstahl

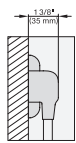
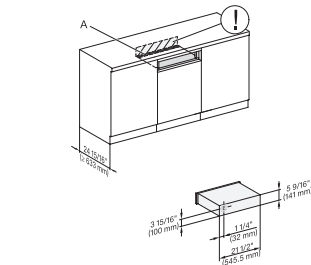
EVS 7010 AM

Handleless vacuum sealing drawer, 24" width and 5 5/8" height for professional vacuum sealing of food.



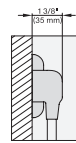
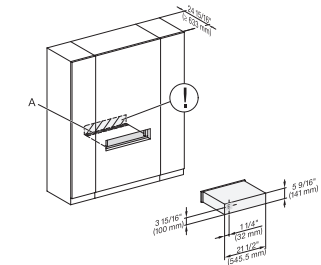
ESW 6x14, EVS 6114, installation, installation drawing, Flush inset, NA

A – Cut-out (4" x 28" / 100 mm x 720 mm) in the bottom of the cabinet for power cord and ventilation. – Electrical and water supplies are recommended to be placed in adjacent cabinetry. Additional cabinet depth is required when placing the electrical and water supplies behind the appliance. E = Electric connection, n



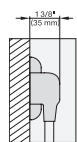
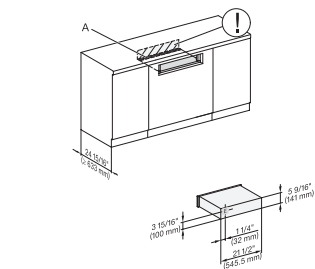
EVS6114, installation built-under, installation drawing, Flush inset, NA

A – Cut-out (4" x 28" / 100 mm x 720 mm) in the bottom of the cabinet for power cord and ventilation. – Electrical and water supplies are recommended to be placed in adjacent cabinetry. Additional cabinet depth is required when placing the electrical and water supplies behind the appliance. E = Electric connection



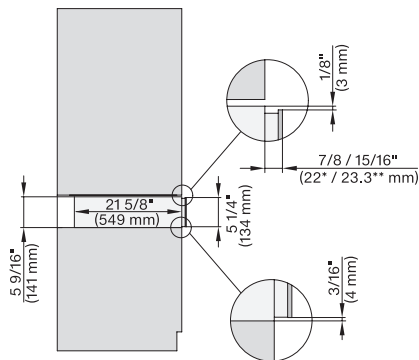
ESW 6x14, EVS 6114, wide front installation, installation drawing, Flush inset, NA

A – Cut-out (4" x 28" / 100 mm x 720 mm) in the bottom of the cabinet for power cord and ventilation. – Electrical and water supplies are recommended to be placed in adjacent cabinetry. Additional cabinet depth is required when placing the electrical and water supplies behind the appliance. E = Electric connection, n



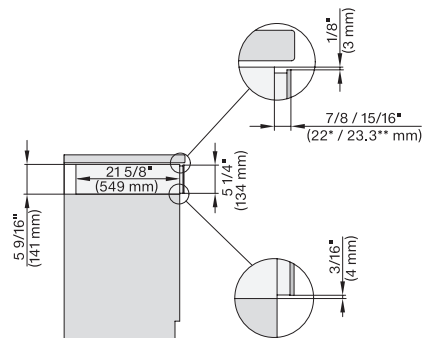
EVS6114, installation of built-under with wide front, installation drawing, Flush inset, NA

A – Cut-out (4" x 28" / 100 mm x 720 mm) in the bottom of the cabinet for power cord and ventilation. – Electrical and water supplies are recommended to be placed in adjacent cabinetry. Additional cabinet depth is required when placing the electrical and water supplies behind the appliance. E = Electric connection



ESW 6x14, EVS 6114, side view, installation drawing, Proud, NA

7/8" – 22* mm – Glas, 15/16" – 23.3** mm – Edelstahl

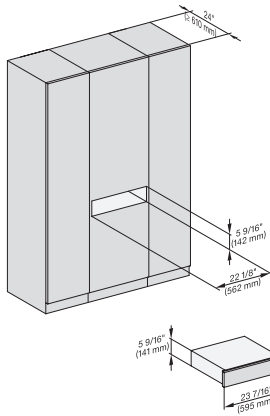


EVS6114, side view built-under, installation drawing, Proud, NA

7/8" – 22* mm – Glas, 15/16" – 23.3** mm – Edelstahl

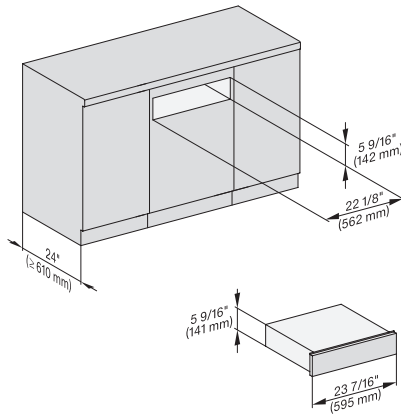
EVS 7010 AM

Handleless vacuum sealing drawer, 24" width and 5 5/8" height for professional vacuum sealing of food.



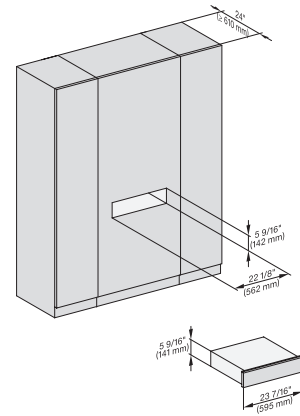
ESW 6x14, EVS 6114, fitting, installation drawing, Proud, NA

7/8" – 22" mm – Glas, 15/16" – 23.3** mm – Edelstahl



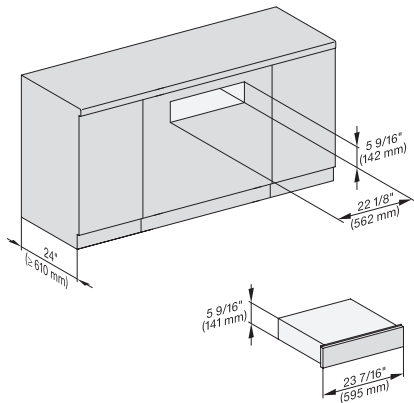
EVS6114, fitting built-under, installation drawing, Proud, NA

7/8" – 22" mm – Glas, 15/16" – 23.3** mm – Edelstahl



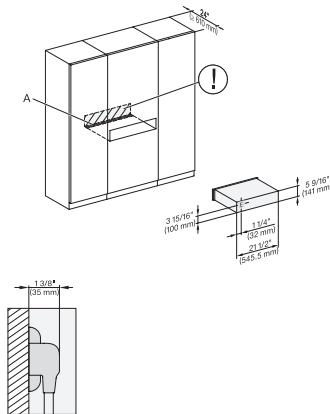
ESW 6x14, EVS 6114 fitting wide front, installation drawing, Proud, NA

7/8" – 22" mm – Glas, 15/16" – 23.3** mm – Edelstahl



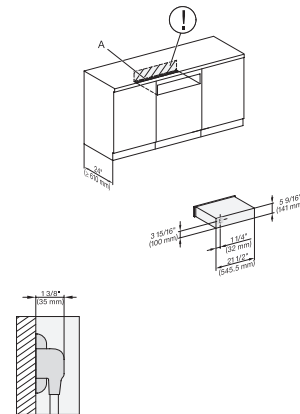
EVS6114, fitting wide front built-under, installation drawing, Proud, NA

7/8" – 22" mm – Glas, 15/16" – 23.3** mm – Edelstahl



ESW 6x14, EVS 6114, installation, installation drawing, Proud, NA

A – Cut-out (4" x 28" / 100 mm x 720 mm) in the bottom of the cabinet for power cord and ventilation, – Electrical and water supplies are recommended to be placed in adjacent cabinetry., Additional cabinet depth is required when placing the electrical and water supplies behind the appliance., E = Electric connection, n

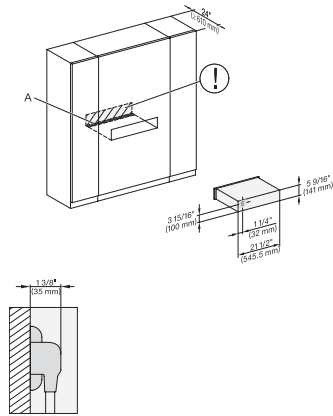


EVS6114, installation built-under, installation drawing, Proud, NA

A – Cut-out (4" x 28" / 100 mm x 720 mm) in the bottom of the cabinet for power cord and ventilation, – Electrical and water supplies are recommended to be placed in adjacent cabinetry., Additional cabinet depth is required when placing the electrical and water supplies behind the appliance., E = Electric connection

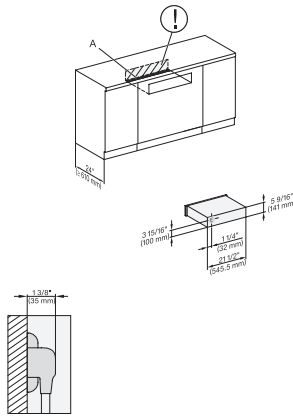
EVS 7010 AM

Handleless vacuum sealing drawer, 24" width and 5 5/8" height for professional vacuum sealing of food.



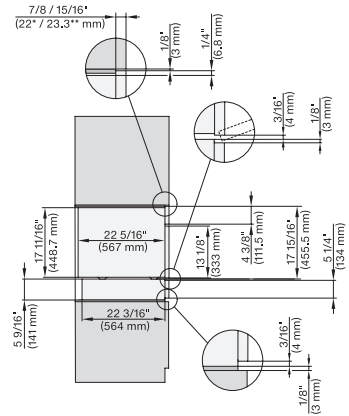
ESW 6x14, EVS 6114, wide front installation, installation drawing, Proud, NA

A – Cut-out (4" x 28" / 100 mm x 720 mm) in the bottom of the cabinet for power cord and ventilation. – Electrical and water supplies are recommended to be placed in adjacent cabinetry. Additional cabinet depth is required when placing the electrical and water supplies behind the appliance. E = Electric connection, n



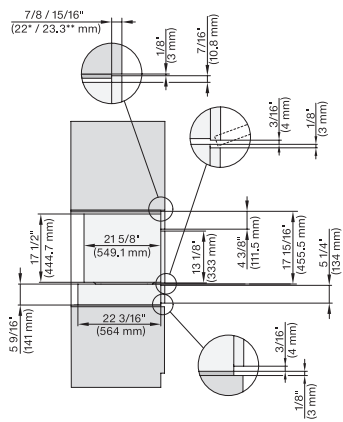
EVS6114, installation of built-under with wide front, installation drawing, Proud, NA

A – Cut-out (4" x 28" / 100 mm x 720 mm) in the bottom of the cabinet for power cord and ventilation. – Electrical and water supplies are recommended to be placed in adjacent cabinetry. Additional cabinet depth is required when placing the electrical and water supplies behind the appliance. E = Electric connection



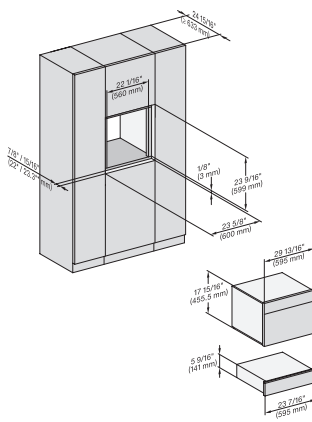
DGC7x4x, ESW7x10, EVS7010, side view, 30 Zoll, Flush inset, combi, XL

7/8" – 22" mm – Glass, 15/16" – 23.3** mm – Stainless steel



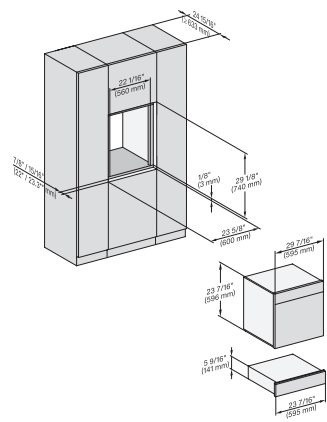
H7x40BM+EBA7848, ESW7x10, EVS7010, side view, 30 Zoll, Flush inset, combi, 450S, ESW

7/8" – 22" mm – Glass, 15/16" – 23.3** mm – Stainless steel



DGC7x40, DGC7485, H7x40BM, ESW7x10, EVS7010, Einbau 30 Zoll, Flush inset, combi, 450S

7/8" – 22" mm – Glass, 15/16" – 23.3** mm – Stainless steel

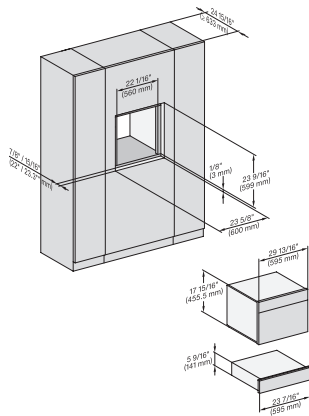


H7x6x6BP+EBA7848, ESW7x10, EVS7010, Einbau, 30 Zoll, Flush inset, combi, 650S, ESW

7/8" – 22" mm – Glass, 15/16" – 23.3** mm – Stainless steel

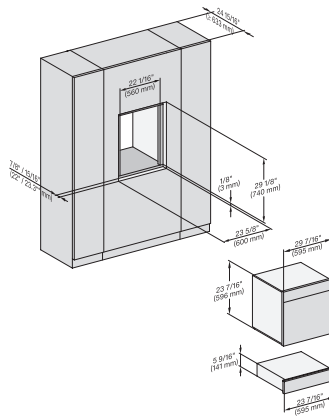
EVS 7010 AM

Handleless vacuum sealing drawer, 24" width and 5 5/8" height for professional vacuum sealing of food.



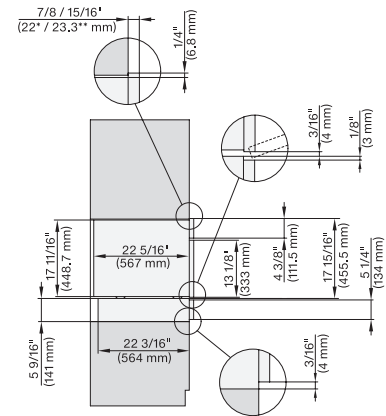
DGC7xxx, H7x40BM, ESW7x10, EVS7010, Einbau, 30 Zoll, Flush inset, combi, wide front, 450S

7/8" – 22" mm – Glass, 15/16" – 23.3" mm – Stainless steel



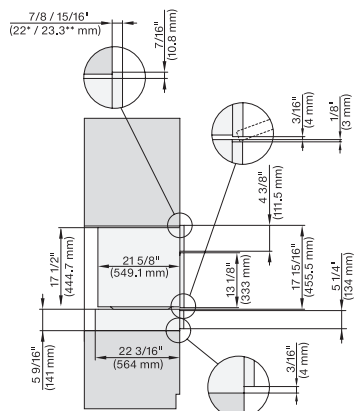
H7x6+EBA7868, ESW7x10, EVS7010, Einbau, 30 Zoll, Flush inset, wide front, 650S

7/8" – 22" mm – Glass, 15/16" – 23.3" mm – Stainless steel



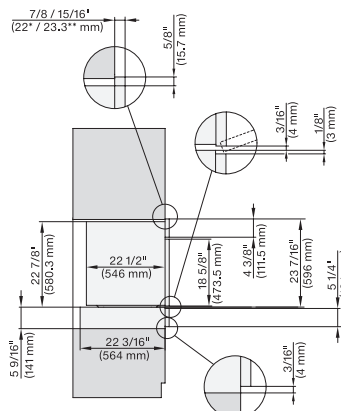
DGC7x40, ESW7x10, EVS7010, side view, 30 Zoll, Proud, combi, XL

7/8" – 22" mm – Glass, 15/16" – 23.3" mm – Stainless steel



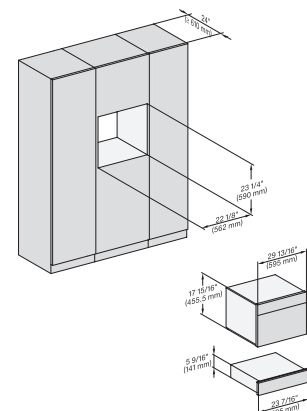
H7x40BM+EBA7848, ESW7x10, EVS7010, side view, 30 Zoll, Proud, combi, 450S

7/8" – 22" mm – Glass, 15/16" – 23.3" mm – Stainless steel



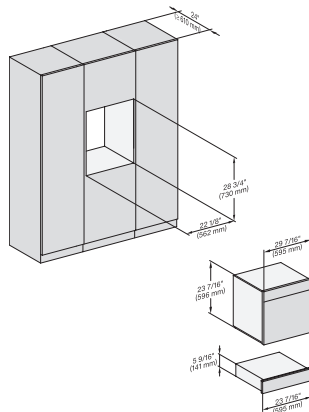
H7x6BP+EBA7848, ESW7x10, EVS7010, side view, 30 Zoll, Proud, combi, 650S

7/8" – 22" mm – Glass, 15/16" – 23.3" mm – Stainless steel



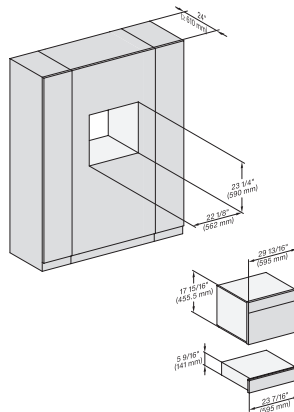
DGC7xxx, H7x40BM, ESW7x10, EVS, Einbau, 30 Zoll, Proud, combi, 450S

7/8" – 22" mm – Glass, 15/16" – 23.3" mm – Stainless steel



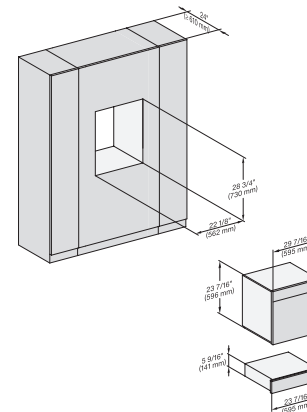
H7x6BP+EBA7848, ESW7x10, EVS7010, Einbau, 30 Zoll, Proud, combi, 650S

7/8" – 22" mm – Glass, 15/16" – 23.3" mm – Stainless steel



DGC7x4x, H7x40BM, ESW7x10, EVS7010, Einbau, 30 Zoll, Proud, combi, wide front, 450S

7/8" – 22" mm – Glass, 15/16" – 23.3" mm – Stainless steel



H7x6BP+EBA7848, ESW7x10, EVS7010, Einbau, 30 Zoll, Proud, combi, wide front, 650S

7/8" – 22" mm – Glass, 15/16" – 23.3" mm – Stainless steel