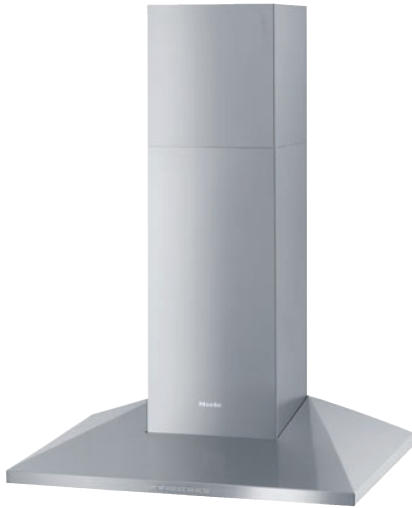


DA 398-7 Classic

30-inch wall-mounted ventilation hood

with energy-efficient LED lighting and backlit controls for easy use.

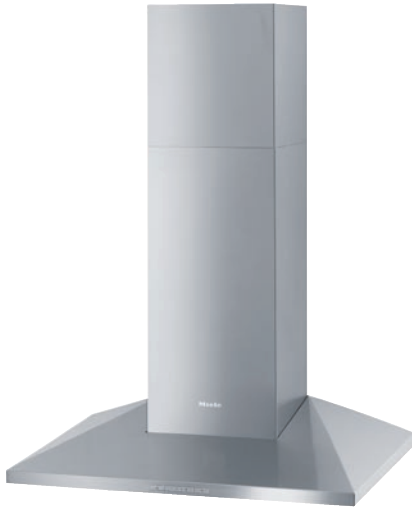


- Design – 29 1/2 (748) in (mm) wide trapezoidal canopy
- Powerful – ?? on the booster setting
- Efficient filtration- 10-ply stainless steel grease filters
- Safe and easy to clean – Miele CleanCover
- Suitable for every home – vented or recirculating

EAN: 4002515802311 / Material number: 10558810 / Old Material Number: 28398750USA

Construction type	
Wall ventilation hood	•
Operating modes	
Recirculated mode	Convertible
Recirculation conversion kit (order separately)	DUW 20
OdorFree charcoal filter (order separately)	DKF12-900
Design	
Color	Stainless steel
Customization possible on request	•
Variable height available as special order	•
Control panel	
Electronic controls	•
Power levels (number excl. Intensive)	3
Programmable Intensive switch-off	•
Cleaning convenience	
Easy-to-clean canopy interior – CleanCover	•
Filter system	
Number of dishwasher safe stainless-steel grease filters (10-ply)	2
Lighting	
LED	•
Number x W	2 x 3 W
Light intensity in Lx	300 lx
Color temperature in K	3000 Kelvin
Blower	
Dual-action blower	•
AC motor	•
Extraction	
Air throughput	Values upon request
Safety	
Safety shut-off	•
Technical data	
Overall hood height for vented mode and external in inches (mm)	27 3/8 (695)–40 (1015)
Overall hood height for recirculation and external in inches (mm)	32 1/2 (825)–45 1/8 (1145)
Canopy width in in.(mm)	29 1/2 (748)
Overall min. height for vented and external in in. (mm)	27 3/8 (695)
Overall max. height for vented and external in in. (mm)	40 (1015)
Canopy height in in.(mm)	4 3/4 (120)
Overall min. height for recirculation in in. (mm)	32 1/2 (825)
Canopy depth in in.(mm)	20 1/2 (520)
Overall max. height for recirculation in in. (mm)	45 1/8 (1145)
Net weight in lbs. (kg)	56 (25.1)
Length of electrical wire in ft (m)	4 (1.5)
Standard plug fitted	•
Minimum distance above electric cooktops in in. (mm)	24 1/8 (610)
Minimum height above gas cooktop (max. 12.6 kW total power, burner ≤ 4.5 kW) in mm	26 (660)
Total connected load in kW	0.35
Voltage in V	120

DA 398-7 Classic
 30-inch wall-mounted ventilation hood
 with energy-efficient LED lighting and backlit controls for easy use.



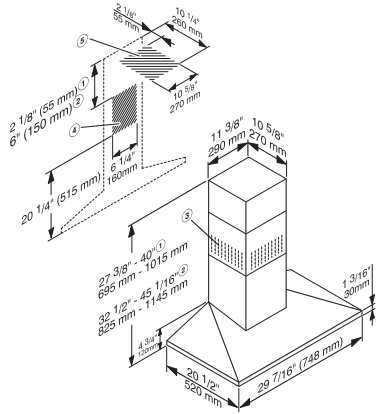
EAN: 4002515802311 / Material number: 10558810 / Old Material Number: 28398750USA

Fuse rating in A	15
Number of phases	1
Frequency in Hz	60
Installation notes	
Vent connection at top	•
Vent connection at top and rear	•
Diameter of vent connection in in.(mm)	6 (150)
Telescopic chimney	•
Accessories supplied	
Non-return flap	•
Optional accessories	
OdorFree charcoal filter	Nein
OdorFree charcoal filter, can be reactivated	DKF 12-R

DA 398-7 Classic

30-inch wall-mounted ventilation hood

with energy-efficient LED lighting and backlit controls for easy use.



DA 398-6 (Installation drawing)

1) Extraction, 2) Recirculation, 3) Ventilation grille position at the top for recirculation, 4) and 5) Vent cut-out positions (area 5 not required for recirculation)