

DGC 7440 AM

24" Compact Combi-Steam Oven XL

for steam cooking, baking, roasting with networking + BrilliantLight.



- Large clear-text display with sensor controls – DirectSensor
- Perfect results – DualSteam technology
- Crispy on the outside, succulent on the inside – Combi-Steam
- Convenient operation – water container behind lift-up panel
- Easy cleaning – PerfectClean stainless steel oven compartment

EAN: 4002516487791 / Material number: 11876960 / Old Material Number: 23744032USA

Construction type and design	
Combi-Steam Ovens	•
Combination steam oven	•
VitroLine	•
Appliance color	Graphitgrau
Appliance color	Graphite grey
Convenience features	
Rapid PreHeat	•
Preheating	•
External steam generation	•
Climate sensor	•
Individual humidity settings in combination cooking	•
Menu cooking without transfer of taste	•
Miele Mix & Match	•
Automatic programs with individual setting of the cooking result	•
Keep-warm function	•
Crisp function	•
Operating modes	
Defrost	•
MasterChef automatic programs	•
Country-specific automatic programs	•
Combi cooking	•
Combi Steam with Convection Bake	•
Combi Steam with Surround	•
Combi Steam with Maxi Broil	•
Steam cooking	•
Sous-vide	•
Reheating	•
Roast with moisture	•
Broiling operating modes	•
Maxi Broil	•
Broil	•
Convection Bake	•
Convection Roast	•
Intensive Bake	•
Cake plus	•
Surround	•
Browning	•
Bake	•
Convection Roast	•
Warm-up cookware	•
Special modes	•
User convenience	
Networking with Miele@home	•
Display	DirectSensor
Symbols on control panel	•
SoftOpen	•
SoftClose	•
MultiLingua	•

DGC 7440 AM

24" Compact Combi-Steam Oven XL

for steam cooking, baking, roasting with networking + BrilliantLight.



EAN: 4002516487791 / Material number: 11876960 / Old Material Number: 23744032USA

Motorized lift-up control panel with SoftClose	•
Quantity-independent cooking	•
Steam cooking on up to 3 levels at the same time	•
Menu cooking	•
Steam reduction before end of programme	•
Timers	•
Time of day display	•
Date display	•
Minute minder	•
Programming start of cooking duration	•
Programming end of cooking duration	•
Programmable cooking time	•
Actual temperature display	•
Desired temperature display	•
Audible signal when desired temperature is reached	•
Default temperature	•
Favorites	•
Sabbath program	•
Individual settings	•
Cleaning convenience	
Stainless-steel cavity with linen surface structure	•
Foldable broil heater element	•
External steam generator	•
Maintenance programs	•
Soak program	•
Rinse program	•
Cavity drying program	•
Quick-release side racks	•
Removable side racks	•
Automatic descaling	•
Descaling	•
CleanGlass door	•
Steam technology and Water supply	
MultiSteam	•
Fresh water container volume in l	1.4
Fresh-water container tank behind motorized lift-up control panel with SoftClose	•
Condensate container behind motorized lift-up control panel with SoftClose	•
Drain filter	•
Safety	
Appliance cooling system and cool touch front	•
Safety cut-out	•
System lock	•
Vapor cooling system	•
Sensor lock	•
Technical data	
No. of rack levels	3
Appliance dimensions (W x H x D) in in. (mm)	23 1/2 (595) x 18 (456) x 22 1/2 (569)
Labeling of rack levels	•

DGC 7440 AM

24" Compact Combi-Steam Oven XL

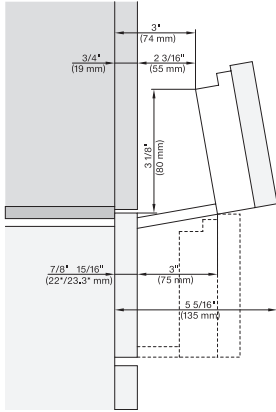
for steam cooking, baking, roasting with networking + BrilliantLight.



EAN: 4002516487791 / Material number: 11876960 / Old Material Number: 23744032USA

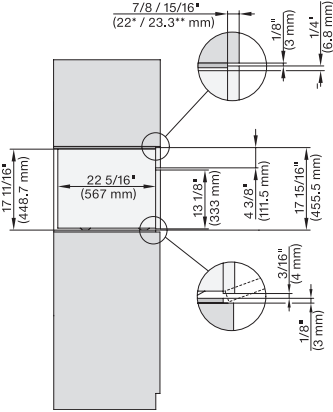
Door hinge side	Bottom
Door hinge side	unten
Oven interior lighting	BrilliantLight
Oven mode temperatures in °F (°C)	85-450 °F (30-230 °C)
Niche width min. in inches (mm)	22 1/8 (560)
Niche width min. in inches (mm)	560
Niche width max. in inches (mm)	22 3/8 (568)
Niche width max. in inches (mm)	568
Niche height min. in inches (mm)	17 3/4 (450)
Niche height min. in inches (mm)	450
Niche height max. in inches (mm)	17 7/8 (452)
Niche height max. in inches (mm)	452
Niche depth in in. (mm)	555
Niche depth in in. (mm)	21 7/8 (555)
Appliance width in in. (mm)	23 1/2 (595)
Appliance width in in. (mm)	595
Appliance height in in. (mm)	18 (456)
Appliance height in in. (mm)	455.5
Appliance depth in in. (mm)	22 1/2 (569)
Appliance depth in in. (mm)	568.5
Dimensions (W x H x D) in mm	
Weight in lbs. (kg)	91 (41.2)
Weight in lbs. (kg)	90.83 (41.2)
Weight in lbs. (kg)	91 (41.2)
Total connected load in kW	2.80-3.70
Power Rating in V	0
Usable voltage range in V	240/208
Frequency in Hz	60
Number of phases	2
Fuse rating in A	20
Connection wire with plug	•
Length of power cord in in. (m)	2
Replacing bulbs	Customer Service
Accessories supplied	
PerfectClean universal baking tray	1
PerfectClean baking and roasting rack	1
Removable side racks with PerfectClean (pair)	1
Perforated stainless-steel cooking container	1
Unperforated stainless-steel cooking containers	1
Descaling tablets	2
Available display languages	
Available display languages via MultiLingua	bahasa malaysia, dansk, deutsch, english, español, français, hrvatski, italiano, magyar, nederlands, norsk, polski, portugês, русский, română, slovenčina, slovenščina, srpski, suomi, svenska, türkçe, українська, čeština, ελληνικά,

DGC 7440 AM 24" Compact Combi-Steam Oven XL for steam cooking, baking, roasting with networking + BrilliantLight.



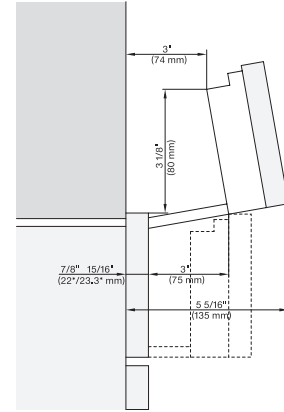
DGC 6x0x-1 + EBA 6808, DGC 6x6x (AM) + EBA 6808, DGC 7xxx(EBA 784/68) installation drawing, Flush inset, NA

7/8" – 22" mm – Glas, 15/16" – 23.3" mm – Edelstahl



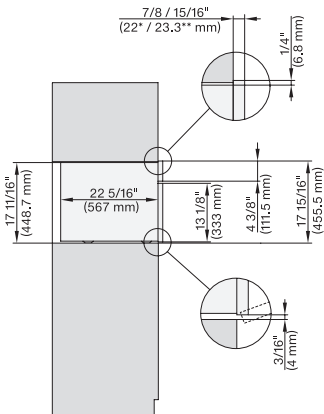
DGC 6x0x-1 + EBA 6808, DGC7x4x(EBA7848) side view, installation drawing, Flush inset, NA

7/8" – 22" mm – Glas, 15/16" – 23.3" mm – Edelstahl



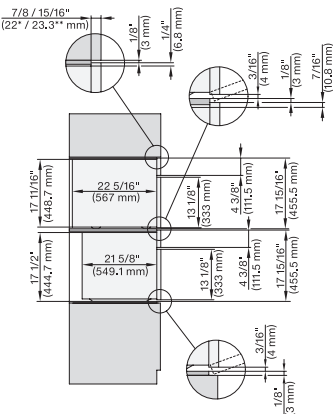
DGC 6x0x-1 + EBA 6808, DGC 6x6x (AM) + EBA 6808, DGC7xxx(X) + EBA784/68 installation drawing, Proud, NA

7/8" – 22" mm – Glas, 15/16" – 23.3" mm – Edelstahl



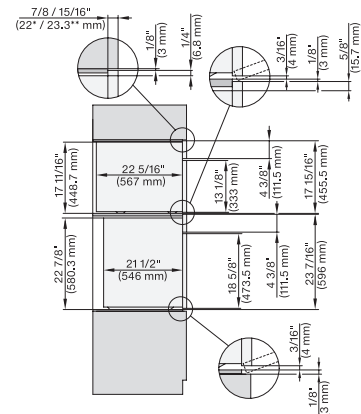
DGC 6x0x-1 + EBA 6808, DGC7x4x (+EBA 7848) side view, installation drawing, Proud, NA

7/8" – 22" mm – Glas, 15/16" – 23.3" mm – Edelstahl



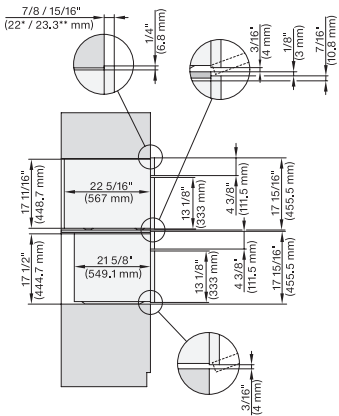
DGC 6x00-1 + EBA 6808, H 6x00 BM + EBA 6808, DGC7xxx, H7xxx, EBA7848 Combi, Installation drawing, Flush inset, NA

7/8" – 22" mm – Glas, 15/16" – 23.3" mm – Edelstahl



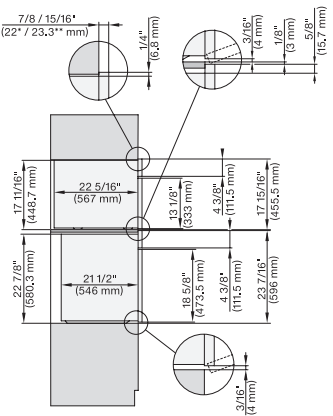
DGC6x00-1+EBA 6808, H 6x60 BP+EBA6808, H 6x60 BP+EBA6808, DGC7xxx, H7xxx, EBA78x8 Combi, Install. drawl., Flush inset, NA

7/8" – 22" mm – Glas, 15/16" – 23.3" mm – Edelstahl



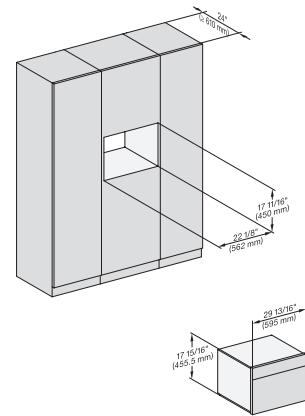
DGC 6x00-1 + EBA6808, H 6x00 BM+EBA 6808, DGC7x4x(+EBA7848), H7x40BM(+EBA7848),Combi, Installation drawing, Proud, NA

7/8" – 22" mm – Glas, 15/16" – 23.3" mm – Edelstahl



DGCxxx-1+EBAx8x8, H6560B+EBA6808, HxxxBP+EBAx8x8, Combi, Installation Drawing, Proud, Flush inset, NA

7/8" – 22" mm – Glas, 15/16" – 23.3" mm – Edelstahl

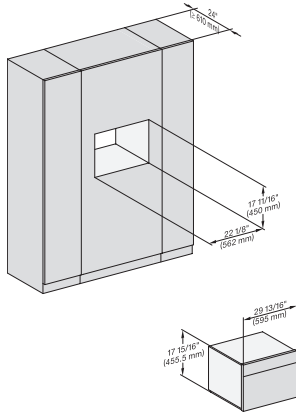


DGC7x4x, H7x40BM, Einabu, 30 Zoll, Proud, 450S

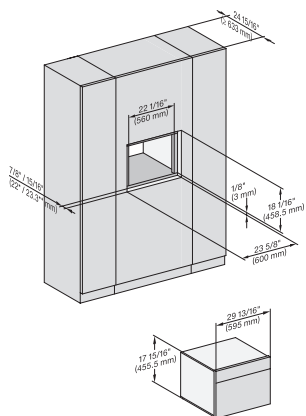
DGC 7440 AM

24" Compact Combi-Steam Oven XL

for steam cooking, baking, roasting with networking + BrilliantLight.

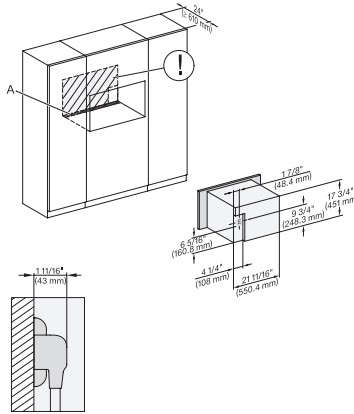


DGCx4x, H7x40BM, Einbau, 30 Zoll, Proud, wide front, 450S



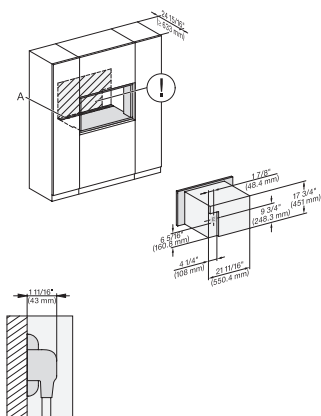
DGC7x4x, H7x40BM, Einabu, 30 Zoll, Flush inset, wide front, 450S

7/8" – 22" mm – Glass, 15/16" – 23.3** mm – Stainless steel



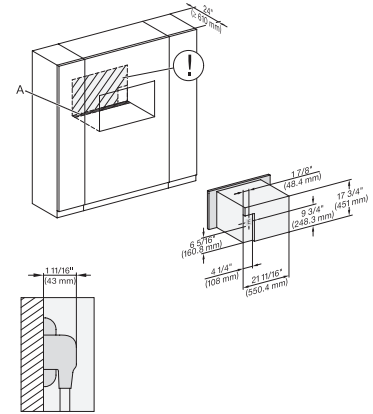
DGC7x4x(+EBA7848) Installation, 30 Zoll, Proud, XL

A – Cut-out (1 9/16" x 19 11/16" / 40 mm x 500 mm) in the bottom of the cabinet for power cord and ventilation, – Electrical and water supplies are recommended to be placed in adjacent cabinetry., Additional cabinet depth is required when placing the electrical and water supplies behind the appliance., E = Electric connection



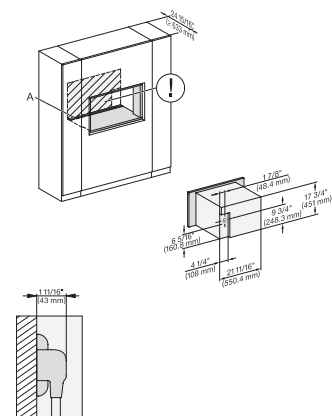
DGC7x4x(+EBA7848), Installation, 30 Zoll, Flush inset, XL

A – Cut-out (1 9/16" x 19 11/16" / 40 mm x 500 mm) in the bottom of the cabinet for power cord and ventilation, – Electrical and water supplies are recommended to be placed in adjacent cabinetry., Additional cabinet depth is required when placing the electrical and water supplies behind the appliance., E = Electric connection



DGC7x4x(+EBA7848), Installation, 30 Zoll, Proud, wide front, XL

A – Cut-out (1 9/16" x 19 11/16" / 40 mm x 500 mm) in the bottom of the cabinet for power cord and ventilation, – Electrical and water supplies are recommended to be placed in adjacent cabinetry., Additional cabinet depth is required when placing the electrical and water supplies behind the appliance., E = Electric connection



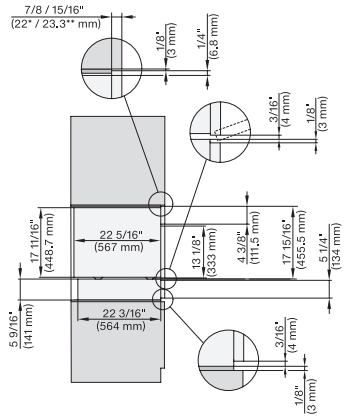
DGC7x4x(+EBA7848), Installation, 30 Zoll, Flush inset, wide front, XL

A – Cut-out (1 9/16" x 19 11/16" / 40 mm x 500 mm) in the bottom of the cabinet for power cord and ventilation, – Electrical and water supplies are recommended to be placed in adjacent cabinetry., Additional cabinet depth is required when placing the electrical and water supplies behind the appliance., E = Electric connection

DGC 7440 AM

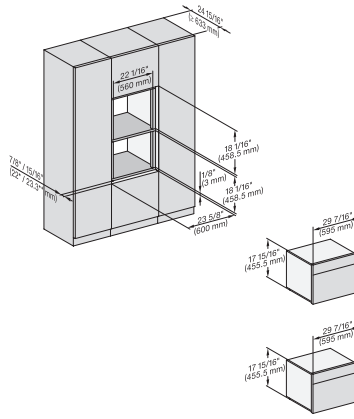
24" Compact Combi-Steam Oven XL

for steam cooking, baking, roasting with networking + BrilliantLight.



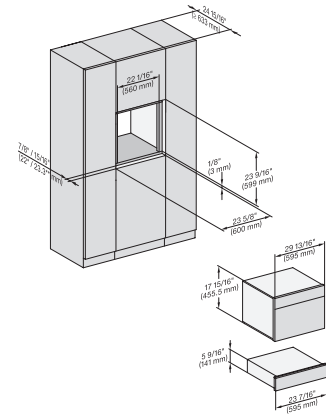
DGC7x4x, ESW7x10, EVS7010, side view, 30 Zoll, Flush inset, combi, XL

7/8" – 22" mm – Glass, 15/16" – 23.3" mm – Stainless steel



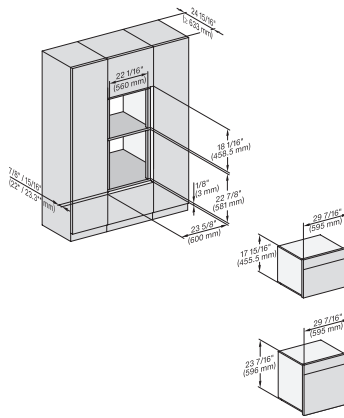
DGC7x4x, H7x40BM, Einbau, 30 Zoll, Flush inset, combi 450S

7/8" – 22" mm – Glass, 15/16" – 23.3" mm – Stainless steel



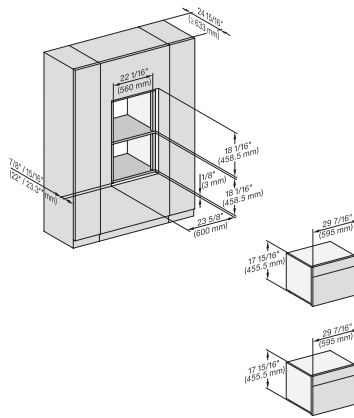
DGC7x40, DGC7485, H7x40BM, ESW7x10, EVS7010, Einbau 30 Zoll, Flush inset, combi, 450S

7/8" – 22" mm – Glass, 15/16" – 23.3" mm – Stainless steel



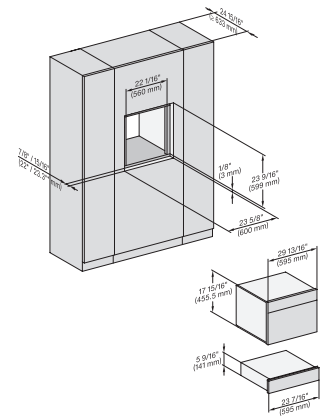
DGC7x4x, H7x40BM, H7x6xBP, Einbau, 30 Zoll Flush inset, combi, 650S, 450S

7/8" – 22" mm – Glass, 15/16" – 23.3" mm – Stainless steel



DGC7x4x, DGC7485, H7x40BM, Einbau, 30 Zoll, Flush inset, combi, wide front, 450S

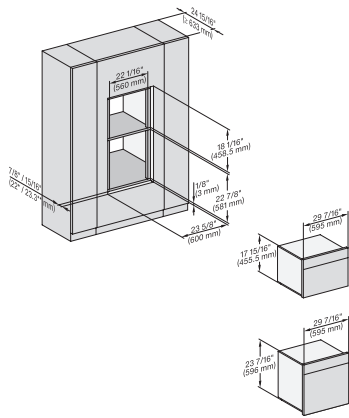
7/8" – 22" mm – Glass, 15/16" – 23.3" mm – Stainless steel



DGC7xxx, H7x40BM, ESW7x10, EVS7010, Einbau, 30 Zoll, Flush inset, combi, wide front, 450S

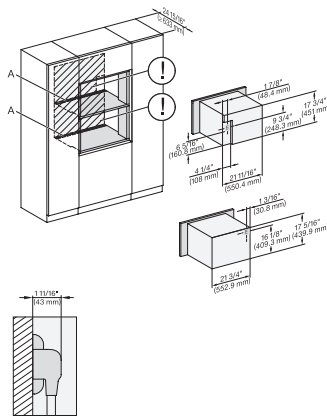
7/8" – 22" mm – Glass, 15/16" – 23.3" mm – Stainless steel

DGC 7440 AM 24" Compact Combi-Steam Oven XL for steam cooking, baking, roasting with networking + BrilliantLight.



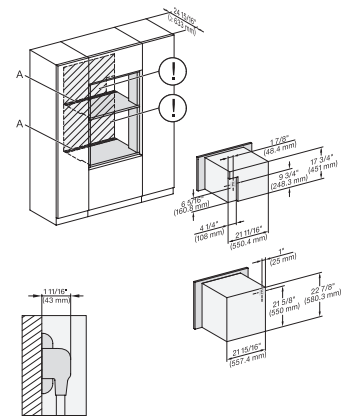
DGC7xxx, H7x40BM, H7x6xBP, Einbau, 30 Zoll, Flush inset, combi, wide front, 650S, 450S

7/8" – 22" mm – Glass, 15/16" – 23.3** mm – Stainless steel



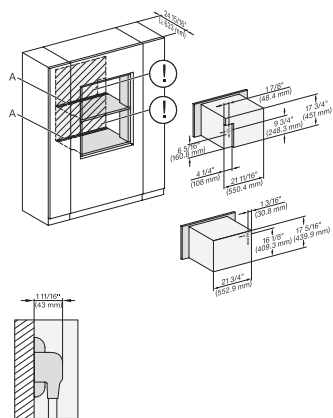
DGC7xxx+EBA7848, H7x40BM (+EBA7848), Installation, 30 Zoll, Flushinset, combi, XL, 450S

A – Cut-out (4" x 28" / 100 mm x 720 mm) in the bottom of the cabinet for power cord and ventilation. – Electrical and water supplies are recommended to be placed in adjacent cabinetry., Additional cabinet depth is required when placing the electrical and water supplies behind the appliance., E = Electric connection



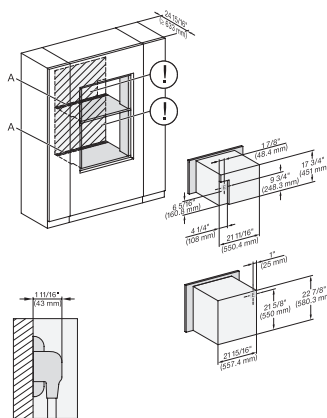
DGC7x4(+EBA7848), H7x6xBP(+EBA7848), Installation, 30 Zoll, Flush inset, combi, XL, 650S

A – Cut-out (4" x 28" / 100 mm x 720 mm) in the bottom of the cabinet for power cord and ventilation. – Electrical and water supplies are recommended to be placed in adjacent cabinetry., Additional cabinet depth is required when placing the electrical and water supplies behind the appliance., E = Electric connection



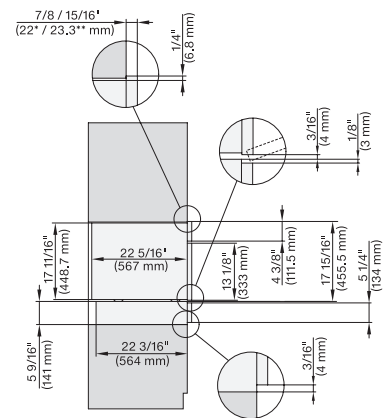
DGC7x40(+EBA7848), H7x40BM(+EBA7848), H7840+EBA6808, Installation, 30 Zoll, flush inset, combi, wide front, XL, 450S

A – Cut-out (4" x 28" / 100 mm x 720 mm) in the bottom of the cabinet for power cord and ventilation. – Electrical and water supplies are recommended to be placed in adjacent cabinetry., Additional cabinet depth is required when placing the electrical and water supplies behind the appliance., E = Electric connection



DGC7x4(+EBA7848), H7x6x(+EBA7848), Installation, 30 Zoll, flush inset, combi, wide front, XL, 650S

A – Cut-out (4" x 28" / 100 mm x 720 mm) in the bottom of the cabinet for power cord and ventilation. – Electrical and water supplies are recommended to be placed in adjacent cabinetry., Additional cabinet depth is required when placing the electrical and water supplies behind the appliance., E = Electric connection



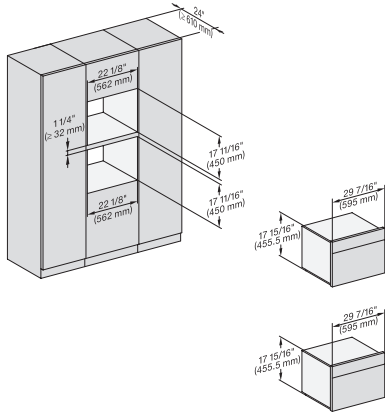
DGC7x40, ESW7x10, EVS7010, side view, 30 Zoll, Proud, combi, XL

7/8" – 22" mm – Glass, 15/16" – 23.3** mm – Stainless steel

DGC 7440 AM

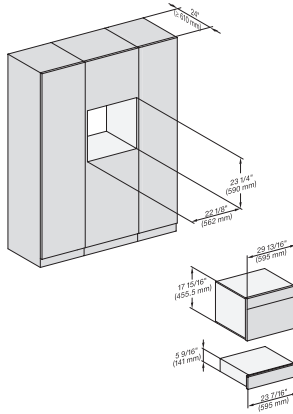
24" Compact Combi-Steam Oven XL

for steam cooking, baking, roasting with networking + BrilliantLight.



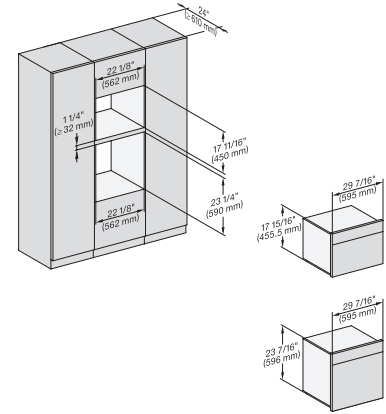
DDGC7xxx, H7x40BM, Einbau, 30 Zoll, Proud, combi, 450S

7/8" – 22" mm – Glass, 15/16" – 23.3" mm – Stainless steel



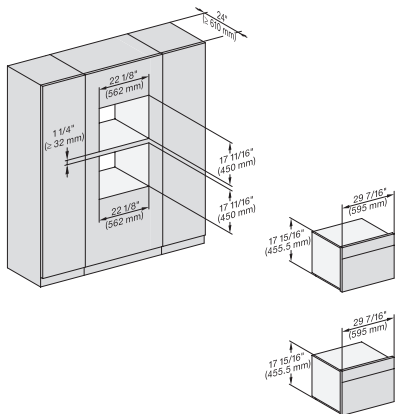
DGC7xxx, H7x40BM, ESW7x10, EVS, Einbau, 30 Zoll, Proud, combi, 450S

7/8" – 22" mm – Glass, 15/16" – 23.3" mm – Stainless steel

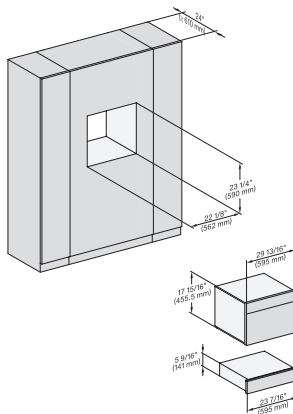


DGC7xxx, H7x4xBM, H7x6xBP, Einbau, 30 Zoll, Proud, combi, 650S, 450S

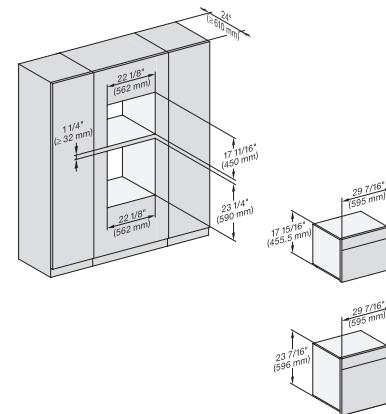
7/8" – 22" mm – Glass, 15/16" – 23.3" mm – Stainless steel



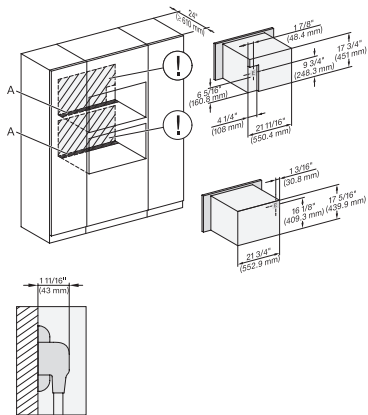
DGC7x4x, H7x40BM, Einbau, 30 Zoll, Proud, combi, wide front, 450S



DGC7x4x, H7x40BM, ESW7x10, EVS7010, Einbau, 30 Zoll, Proud, combi, wide front, 450S

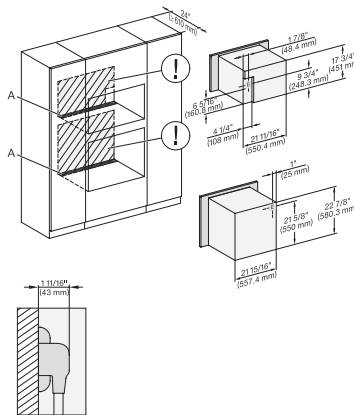


DGC7x4x, H7x40BM, H7x6xBP, Einbau, 30 Zoll, Proud, combi, wide front, 650S, 450S



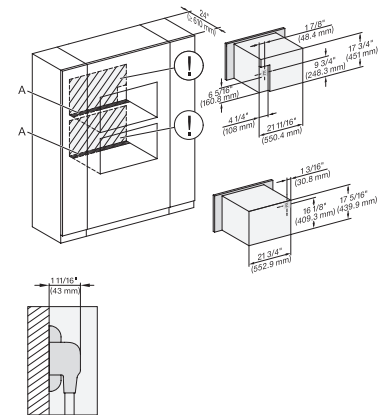
DGC7x4x(+EBA7848), H7x40BM(+EBA7848), Installation, 30 Zoll, Proud, combi, XL, 450S

A – Cut-out (4" x 28" / 100 mm x 720 mm) in the bottom of the cabinet for power cord and ventilation. – Electrical and water supplies are recommended to be placed in adjacent cabinetry. Additional cabinet depth is required when placing the electrical and water supplies behind the appliance. E = Electric connection



DGC7x4x(+EBA7848), H7x6x(+EBA7848), Installation, 30 Zoll, Proud, combi, XL, 650S

A – Cut-out (4" x 28" / 100 mm x 720 mm) in the bottom of the cabinet for power cord and ventilation. – Electrical and water supplies are recommended to be placed in adjacent cabinetry. Additional cabinet depth is required when placing the electrical and water supplies behind the appliance. E = Electric connection



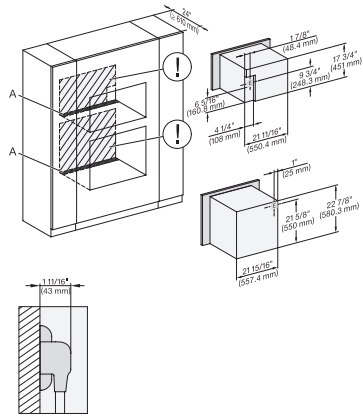
DGC7x4x(+EBA7848), H7x40BM(+EBA7848), Installation, 30 Zoll, Proud, combi, wide front XL, 450S

A – Cut-out (4" x 28" / 100 mm x 720 mm) in the bottom of the cabinet for power cord and ventilation. – Electrical and water supplies are recommended to be placed in adjacent cabinetry. Additional cabinet depth is required when placing the electrical and water supplies behind the appliance. E = Electric connection

DGC 7440 AM

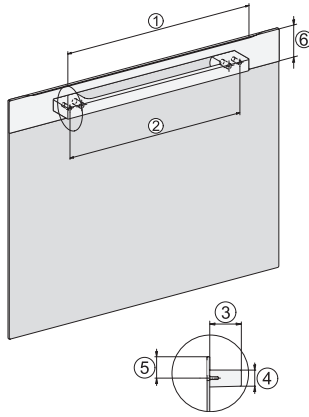
24" Compact Combi-Steam Oven XL

for steam cooking, baking, roasting with networking + BrilliantLight.



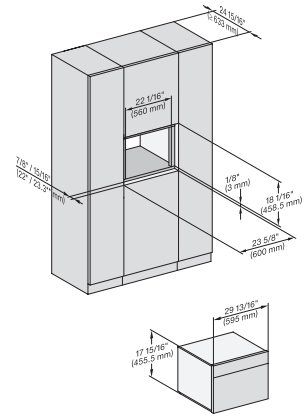
DGC7x4x(+EBA7848), H7x6xBP(+EBA7848), Installation, 30 Zoll, Proud, combi, wide front, 650S

A – Cut-out (4" x 28" / 100 mm x 720 mm) in the bottom of the cabinet for power cord and ventilation. – Electrical and water supplies are recommended to be placed in adjacent cabinetry., Additional cabinet depth is required when placing the electrical and water supplies behind the appliance., E = Electric connection



Handle DGC74xx, DGC76xx, DGC78xx, PureLine – NA7000 - Installation drawing

DGC7470, DGC7670, DGC7870, DGC7875, DGC7680, DGC7685, DGC7880, DGC7885:, 19 11/16" / 500 mm, 17 1/2" / 444 mm, 1 7/8" / 47 mm, 15/16" / 24 mm, 1 1/4" / 32,5 mm, 2 9/16" / 65 mm, , DGC7440, DGC7640, DGC7840, DGC7845, DGC7860, DGC7865:, 15 3/4" / 400 mm, 14 3/16" / 360 mm, 1 7/8" / 47 mm, 15/16" / 24 mm, 1 1/4" / 32,5 mm, 2 9/16" / 65 mm



DGC7440, DGC7640, DGC7840, DGC7845, H7240BM, H7640BM, H7840BM, inset, 30 Zoll, Flush – NA

7/8" – 22" mm – Glass, 15/16" – 23.3" mm – Stainless steel, DGC: Minimum installation height 36" – 914 mm from floor to the device installation surface