

## KWT 2662 ViS

### MasterCool Wine Conditioning Unit

For high-end design and technology on a large scale.



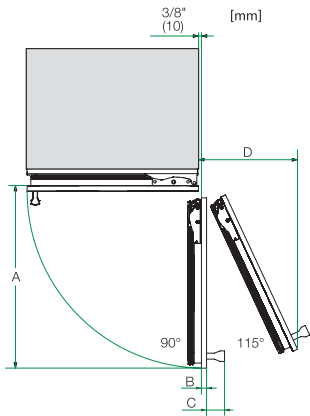
- Push2open for convenient door-opening assistance
- Serve and enjoy to perfection – incl. SommelierSet
- Various wines at the perfect temperature – 3 temperature zones
- Flexible storage of large wine bottles thanks to FlexiFrame
- Light floods the interior thanks to LED elements – BrilliantLight

EAN: 4002516321958 / Material number: 11503650 / Old Material Number: 36266205USA

<b>Appliance category</b>	
Wine storage unit	•
<b>Construction type</b>	
Built-in	•
Built-in integrated	•
Door hinge side	Right convertible
Convertible hinging	•
Can be installed side-by-side	•
<b>Design</b>	
Lighting	BrilliantLight
<b>Control panel</b>	
Networking with Miele@home	•
DynaCool	•
SoftClose door closing damper	•
Push2open	•
MaxLoad hinge	•
Number of FlexiFrame wooden racks	9
Material of wooden racks	Beechwood
SommelierSet	•
NoteBoard	•
<b>Control</b>	
Electronic temperature display and control	MasterSensor
Independent temperature control of fridge and freezer compartments	No
No. of temperature zones	3
Min. temperature setting range in °F (°C)	5
Sabbath mode	•
<b>Safety</b>	
Lock function	•
Acoustic door alarm	•
Optical door alarm	•
Optical temperature alarm	•
<b>Technical data</b>	
Niche width in inches (mm), min.	24 1/8 (610)
Niche width in inches (mm), max.	24 1/8 (610)
Niche height in inches (mm), min.	84 1/8 (2134)
Niche height in inches (mm), max.	84 1/8 (2134)
Niche depth in in.(mm)	24 7/8 (629)
Appliance width in in.(mm)	23 3/4 (603)
Appliance height in in.(mm)	83 3/4 (2125)
Appliance depth in in.(mm)	24 (608)
Weight in lbs.(kg)	311 (141.0)
Type of mounting	Fixed door
Maximum fridge compartment door front weight in lbs. (kg)	161 (73)
Wine conditioning zone volume in cu. ft. (l)	13.38 (379)
Total usable capacity in cu. ft. (l)	13.38 (379)
Current consumption in milliampere (mA)	4000
Voltage in V	120
Fuse rating in A	10
Number of phases	1

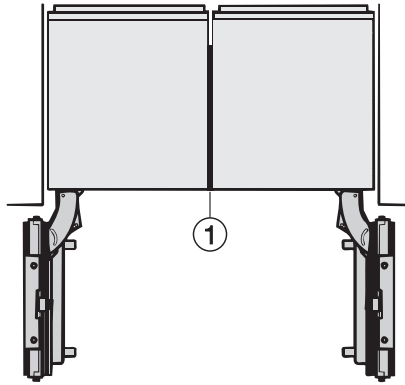


## KWT 2662 ViS MasterCool Wine Conditioning Unit For high-end design and technology on a large scale.



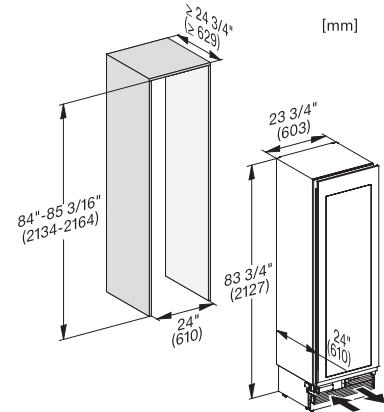
Opening angle 90°/115°, right side stop, MasterCool (Sketch) \*footnote

A) Appliance door width, F 2461 Vi: 525 mm (20 2/3 inch); F 2462 Vi: 525 mm (20 2/3 inch); K 2601 Vi, K 2601 SF, F 2661 Vi, KWT 2601 Vi, KWT 2601 SF, KWT 2661 ViS, KWT 2661 SFS: 677 mm (26 2/3, inch); K 2602 Vi, K 2602 SF, F 2662 Vi, KWT 2602 Vi, KWT 2602 SF, KWT 2662 ViS, KWT 2662 SFS: 677 mm (26 2/3, inch); K 2801 Vi, K 2801 SF, F 2801 Vi, KF 2801 Vi, KF 2801 SF: 829 mm (32 2/3 inch); K 2802 Vi, K 2802 SF, F 2802 Vi, KF 2802 Vi, KF 2802 SF: 829 mm (32 2/3 inch); K 2901 Vi, K 2901 SF, F 2901 Vi, KF 2901 Vi, KF 2901 SF: 982 mm (38 2/3 inch); K 2902 Vi, K 2902 SF, F 2902 Vi, KF 2902 Vi, KF 2902 SF: 982 mm (38 2/3 inch); B) Furniture front (max. 38 mm) (1 1/2 inch), C) Door handle, D) Distance door to wall (without furniture front and door handle): F 2461 Vi: 237 mm (9 1/3 inch); F 2462 Vi: 237 mm (9 1/3 inch); K 2601 Vi, K 2601 SF, F 2661 Vi, KWT 2601 Vi, KWT 2601 SF, KWT 2661 ViS, KWT 2661 SFS: 296 mm (11 2/3, inch); K 2602 Vi, K 2602 SF, F 2662 Vi, KWT 2602 Vi, KWT 2602 SF, KWT 2662 ViS, KWT 2662 SFS: 296 mm (11 2/3, inch); K 2801 Vi, K 2801 SF, F 2801 Vi, KF 2801 Vi, KF 2801 SF: 363 mm (14 1/3 inch); K 2802 Vi, K 2802 SF, F 2802 Vi, KF 2802 Vi, KF 2802 SF: 363 mm (14 1/3 inch); K 2901 Vi, K 2901 SF, F 2901 Vi, KF 2901 Vi, KF 2901 SF: 428 mm (16 7/8 inch); K 2902 Vi, K 2902 SF, F 2902 Vi, KF 2902 Vi, KF 2902 SF: 428 mm (16 7/8 inch), E) ONLY valid for SF versions: A + 25 mm (1 inch)

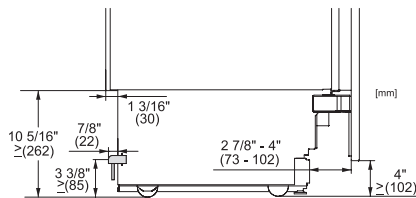


Side-by-side, MasterCool, without partition wall, with heating mat (Sketch) (with footnote)

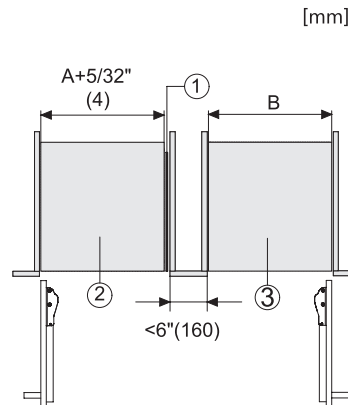
1) Heating mat KSK 2001 (EU, AUS, CN) or KSK 2002 (US, CA, MX, BR)



KWT2611Vi, KWT2671ViS, KWT2601Vi, KWT2661ViS, installation, MasterCool, installation drawings

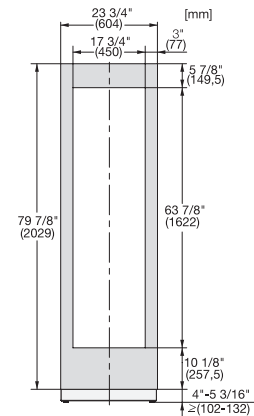


Sideview, MasterCool, Sketch



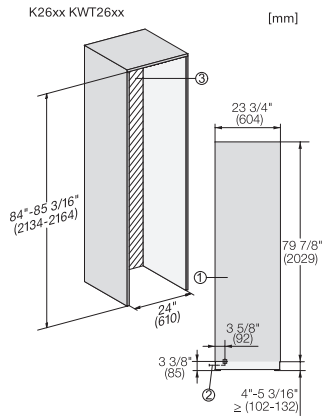
Side-by-Side, MasterCool, footnote, installation drawings

1. KSK 2001/2002, 2. Device A, 3. Device B, A = niche device A, B = niche device B

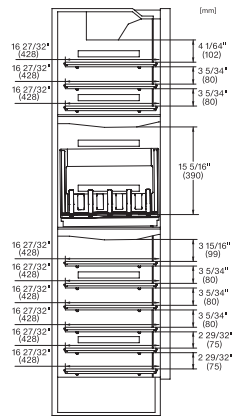


KFP2455ed/cs, KFP2454ed/cs, front panel, front dimensions, MasterCool, installation drawings

KWT 2662 ViS  
 MasterCool Wine Conditioning Unit  
 For high-end design and technology on a large scale.



Installation, MasterCool, \*footnote, installation drawings  
 1. View from the front, 2. Mains connection cable, L = 3000 mm (118 inch), 3. No water/ELT connections permitted in this area



KWT2672ViS, KWT2662ViS, KWT2671 ViS, MasterCool,  
 inner space, modeling, installation drawings