

DAR 1150

Insert ventilation hood

for perfect combination with Ranges and Rangetops.



- Customized kitchen design – fully integrated in 45 1/2 (1155) in (mm)
- Perfect illumination – LED ClearView lighting
- Dishwasher-safe – 4 high-quality stainless steel grease filters
- Safe and easy to clean – Miele CleanCover
- Auto-vent safety sensor – protects against overheating

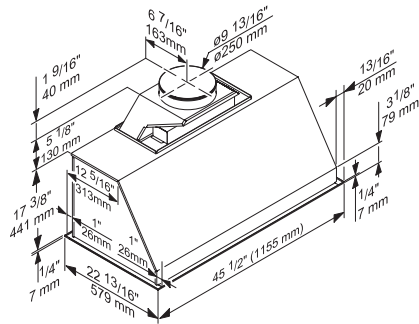
EAN: 4002515446829 / Material number: 09753510 / Old Material Number: 28115050USA

| | |
|--|----------------|
| Construction type | |
| Insert ventilation extractor | • |
| Required accessories | |
| Blower | • |
| Operating modes | |
| Recirculated mode | air extraction |
| External operation possible | • |
| Control panel | |
| Rotary knob | • |
| Temperature sensor | • |
| Power levels (number excl. Intensive) | 3 |
| Cleaning convenience | |
| Dishwasher-safe grease collection channel | • |
| Easy-to-clean canopy interior – CleanCover | • |
| Filter system | |
| Number of dishwasher-safe stainless steel baffle filters | 4 |
| Lighting | |
| LED ClearView lighting | • |
| Number x W | 4 x 3 W |
| Blower options (to be purchased separately) | |
| DRIB XXL internal blower in CFM (m ³) | 1869 |
| DREB XXL external blower in CFM (m ³) | 1869 |
| Technical data | |
| Canopy width in in.(mm) | 45 1/2 (1155) |
| Canopy width in inches | 47 15/16 |
| Canopy height in in.(mm) | 17 3/4 (449) |
| Canopy depth in in.(mm) | 22 7/8 (579) |
| Net weight in lbs. (kg) | 56 (25.0) |
| Length of electrical wire in ft (m) | 2 (0.8) |
| Standard plug fitted | • |
| Total connected load in kW | 0.81 |
| Fuse rating in A | 15 |
| Voltage in V | 120 |
| Number of phases | 1 |
| Installation notes | |
| Vent connection at top | • |
| Diameter of vent connection in in. (mm) | 9 7/8 (250) |
| Accessories supplied | |
| Non-return flap | • |

DAR 1150

Insert ventilation hood

for perfect combination with Ranges and Rangetops.



DAR1150 (Installation drawing)