

## DA 6596 D Puristic Canto Island décor hood

with energy-efficient LED lighting and backlit controls for easy use.



- Timeless design – 35 3/8 (898) in (mm) wide stainless steel ventilation hood
- Unique convenience – Con@ctivity 2.0
- Powerful – ?? on the booster setting
- Efficient and beautiful – Multi-zone edge extraction
- Variable: edge vented panels made of glass or stainless steel

EAN: 4002515524817 / Material number: 09762240 / Old Material Number: 28659655USA

|                                                                   |                     |
|-------------------------------------------------------------------|---------------------|
| <b>Construction type</b>                                          |                     |
| Island ventilation hood                                           | •                   |
| <b>Operating modes</b>                                            |                     |
| Recirculated mode                                                 | Convertible         |
| Recirculation conversion kit (order separately)                   | DUI 32              |
| OdorFree charcoal filter (order separately)                       | DKF12-900           |
| Decor elements in glass (order separately)                        | DRP 6590D           |
| <b>Design</b>                                                     |                     |
| Color                                                             | Stainless steel     |
| RAL colours possible as special order                             | •                   |
| Customization possible on request                                 | •                   |
| Variable height available as special order                        | •                   |
| Multi-zone edge extraction                                        | •                   |
| <b>Control panel</b>                                              |                     |
| Electronic controls                                               | •                   |
| Power levels (number excl. Intensive)                             | 3                   |
| Programmable Intensive switch-off                                 | •                   |
| Delayed shutdown for 5 or 15 minutes                              | •                   |
| Grease filter saturation indicator                                | •                   |
| Programmable grease filter saturation indicator                   | •                   |
| Programmable charcoal filter saturation indicator                 | •                   |
| Acoustic package                                                  | •                   |
| <b>Cleaning convenience</b>                                       |                     |
| Easy-to-clean canopy interior – CleanCover                        | •                   |
| <b>Filter system</b>                                              |                     |
| Number of dishwasher safe stainless-steel grease filters (10-ply) | 3                   |
| <b>Lighting</b>                                                   |                     |
| LED                                                               | •                   |
| Number x W                                                        | 4 x 3 W             |
| Light intensity in Lx                                             | 540 lx              |
| Color temperature in K                                            | 3500 Kelvin         |
| <b>Blower</b>                                                     |                     |
| Dual-action blower                                                | •                   |
| AC motor                                                          | •                   |
| <b>Extraction</b>                                                 |                     |
| Air throughput                                                    | Values upon request |
| <b>Safety</b>                                                     |                     |
| Safety shut-off                                                   | •                   |
| <b>Technical data</b>                                             |                     |
| Canopy width in in.(mm)                                           | 35 3/8 (898)        |
| Overall min. height for vented and external in in. (mm)           | 27 1/4 (690)        |
| Overall max. height for vented and external in in. (mm)           | 39 (990)            |
| Canopy height in in.(mm)                                          | 2 7/8 (70)          |
| Overall min. height for recirculation in in. (mm)                 | 29 5/8 (750)        |
| Canopy depth in in.(mm)                                           | 23 5/8 (598)        |
| Overall max. height for recirculation in in. (mm)                 | 41 3/4 (1060)       |
| Net weight in lbs. (kg)                                           | 75 (34.0)           |
| Length of electrical wire in ft (m)                               | 0 (0.0)             |
| Hard-wired                                                        | •                   |

DA 6596 D Puristic Canto  
Island décor hood

with energy-efficient LED lighting and backlit controls for easy use.



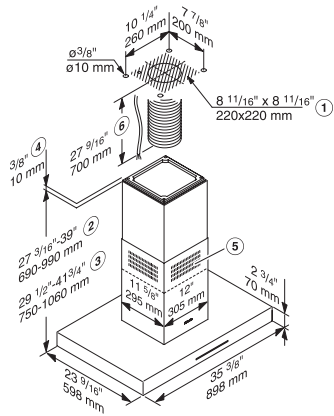
EAN: 4002515524817 / Material number: 09762240 / Old Material Number: 28659655USA

|                                                                                    |              |
|------------------------------------------------------------------------------------|--------------|
| Minimum distance above electric cooktops in in. (mm)                               | 24 1/8 (610) |
| Minimum height above gas cooktop (max. 12.6 kW total power, burner ≤ 4.5 kW) in mm | 26 (660)     |
| Total connected load in kW                                                         | 0.36         |
| Voltage in V                                                                       | 120          |
| Fuse rating in A                                                                   | 15           |
| Number of phases                                                                   | 1            |
| Frequency in Hz                                                                    | 60           |
| <b>Installation notes</b>                                                          |              |
| Vent connection at top                                                             | •            |
| Diameter of vent connection in in.(mm)                                             | 6 (150)      |
| Telescopic chimney                                                                 | •            |
| <b>Accessories supplied</b>                                                        |              |
| Communication module for Con@ctivity XKM 2000 DA                                   | XKS 3000 Z   |
| Non-return flap                                                                    | •            |
| <b>Optional accessories</b>                                                        |              |
| OdorFree charcoal filter                                                           | DKF 12-900   |

## DA 6596 D Puristic Canto

### Island décor hood

with energy-efficient LED lighting and backlit controls for easy use.



DA 6596 D (Installation drawing)

1) Installation area/site, 2) Vented, 3) Recirculation, 4) Installation alternatively with spacer frame, 5) Ventilation grille positioned at the top for recirculation, 6) A supply lead, and for vented mode flexible vent ducting, must be pre-fitted for the connection in the ceiling to the connection of the cooker hood.