

KSK 2002

Side-by-side kit

For the high-quality side-by-side installation of MasterCool models.

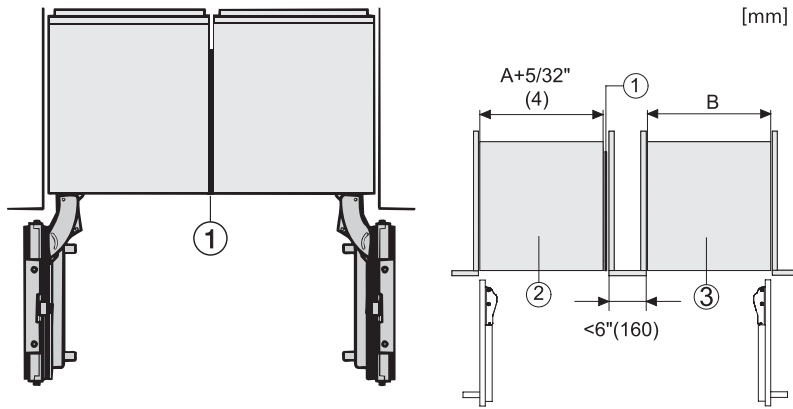
EAN: 4002516113041 / Material number: 10984130 / Old Material Number: 38996071USA



KSK 2002

Side-by-side kit

For the high-quality side-by-side installation of MasterCool models.



Side-by-side, MasterCool, without partition wall, with heating mat (Sketch) (with footnote)

1) Heating mat KSK 2001 (EU, AUS, CN) or KSK 2002 (US, CA, MX, BR)

Side-by-Side, MasterCool, footnote, installation drawings

1. KSK 2001/2002, 2. Device A, 3. Device B, A = niche device A, B = niche device B