

**Miele**

## 30" Convection Oven - M Touch

H 6780-2 BP, H 6880-2 BP



Shown: H 6770 BM over H 6780 BP over ESW 6780  
Please note: This information is subject to change

[mieleusa.com](http://mieleusa.com)  
Specification Sheets TRS 08212018

## 30" Convection Oven - M Touch

SPECIFICATIONS	
Overall Dimensions - Excluding Fascia Dimension	28 <sup>7</sup> / <sub>16</sub> " (722 mm) W x 27 <sup>3</sup> / <sub>4</sub> " (705 mm) H x 23 <sup>3</sup> / <sub>4</sub> " (602.8mm) D
Overall Fascia Dimensions	29 <sup>13</sup> / <sub>16</sub> " (757 mm) W x 28 <sup>5</sup> / <sub>8</sub> " (727 mm) H x 7 <sup>7</sup> / <sub>8</sub> " (22 <sup>*</sup> /23 <sup>**</sup> mm) D *Oven with glass/**Oven with metal
Oven Door Clearance	22 <sup>5</sup> / <sub>8</sub> " (574 mm)
Shelf	
Minimum Base Support	240 lbs (109 kg)
Plumbing	
Water Supply Requirements	Connect to a cold water supply with an inline water filter only. Must be connected to a shut-off valve. The water shut-off valve must be accessible after installation. The water pressure must be between 14.5 psi (1 bar) and may not exceed 145 psi (10 bar). If the pressure is higher than 145 psi (10 bar), a pressure reducing valve must be installed.
Plumbed Hose Connection	Supplied hose: flexible braided 4'11" (1.5 m) with 3/8" Compression fitting for connection to a shut off valve. The hose must not be shortened. The entire hose length must not exceed 24'7" (7.5 m).
Electrical	
Electrical Requirements	120/208-240V, 60Hz, 30A
Power Cord	Molded NEMA 14-30 plug, 6 ft. (1.8 m)
Electrical Rating	6.7kW (120/240V), 5kW (120/208V)
Shipping	
Shipping Weight	216 lbs (98 kg)
Shipping Dimensions	32 <sup>11</sup> / <sub>16</sub> " (830 mm) W x 35 <sup>1</sup> / <sub>16</sub> " (890 mm) H x 30 <sup>5</sup> / <sub>16</sub> " (770 mm)L
Support	
Call Miele	(800) 999-1360
Miele Website	<a href="http://www.mieleusa.com">www.mieleusa.com</a>
20/20 Link	<a href="http://2020technologies.com">2020technologies.com</a>

### ContourLine:



H 6780-2 BP - M Touch  
Item 22678153USA

### PureLine:



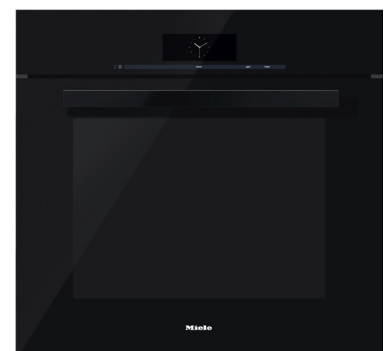
H 6880-2 BP - M Touch  
Item 22688153USA



H 6880-2 BP GRGR - M Touch  
Item 22688143USA



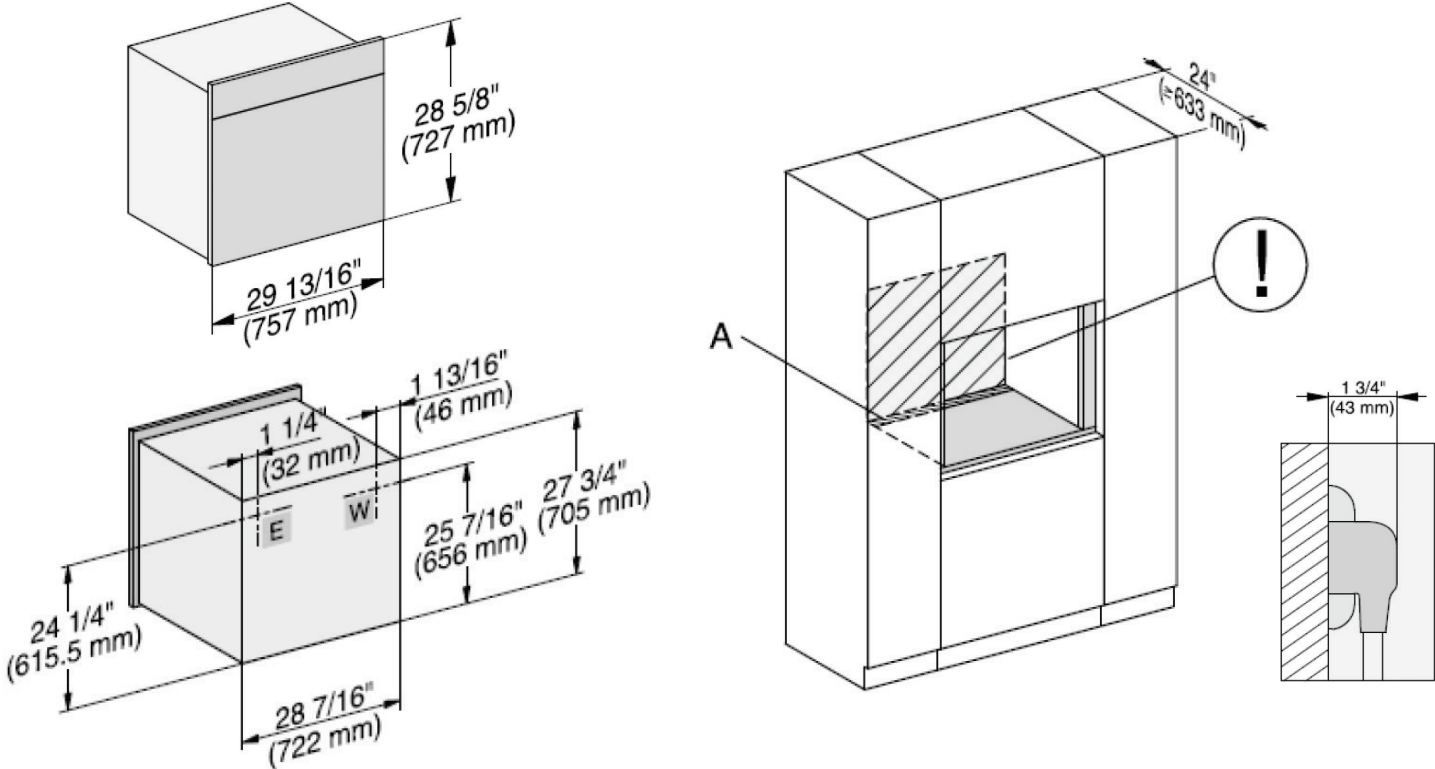
H 6880-2 BP BRWS - M Touch  
Item 22688113USA



H 6880-2 BP OBSW - M Touch  
Item 22688123USA

## 30" Convection Oven - Flush Installation

### PRODUCT DIMENSIONS

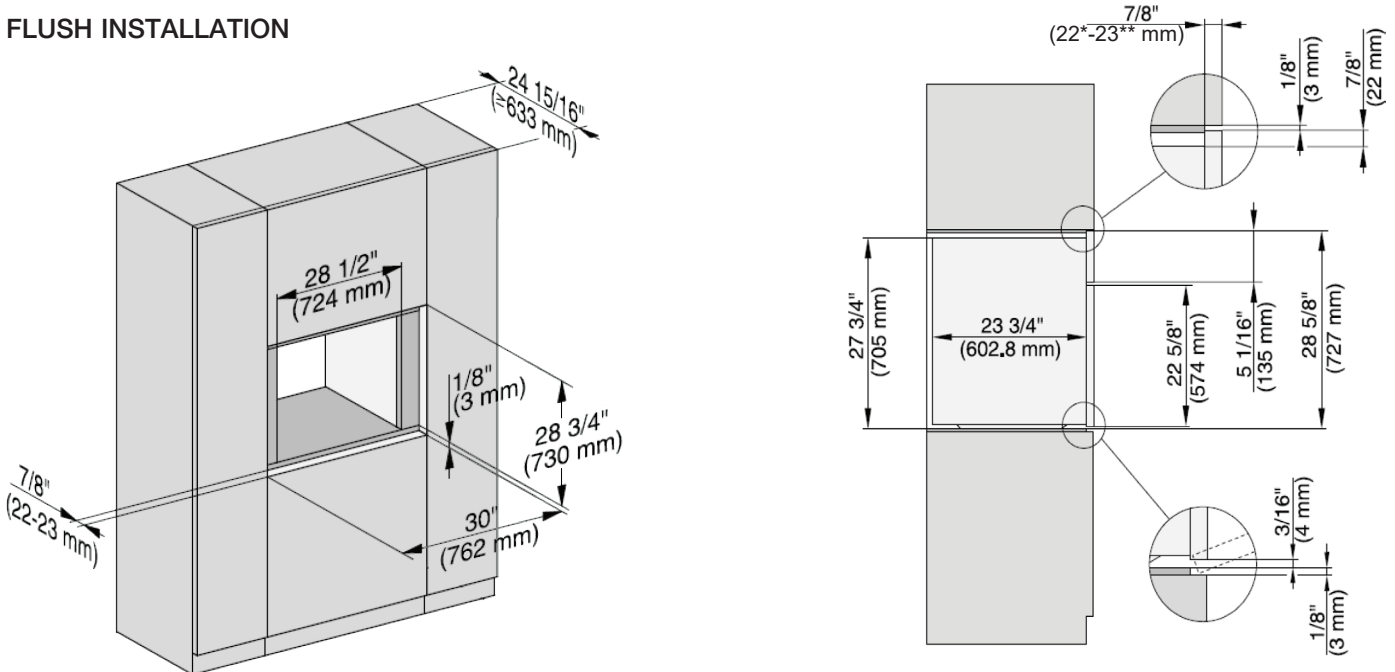


A - Cut-out (4" x 28" / 100 mm x 720 mm) in the bottom of the cabinet for power cord and ventilation

ⓘ - Electrical and water supplies are recommended to be placed in adjacent cabinetry. Additional cabinet depth is required when placing the electrical and water supplies behind the appliance.

E = Electric connection    W = Water connection

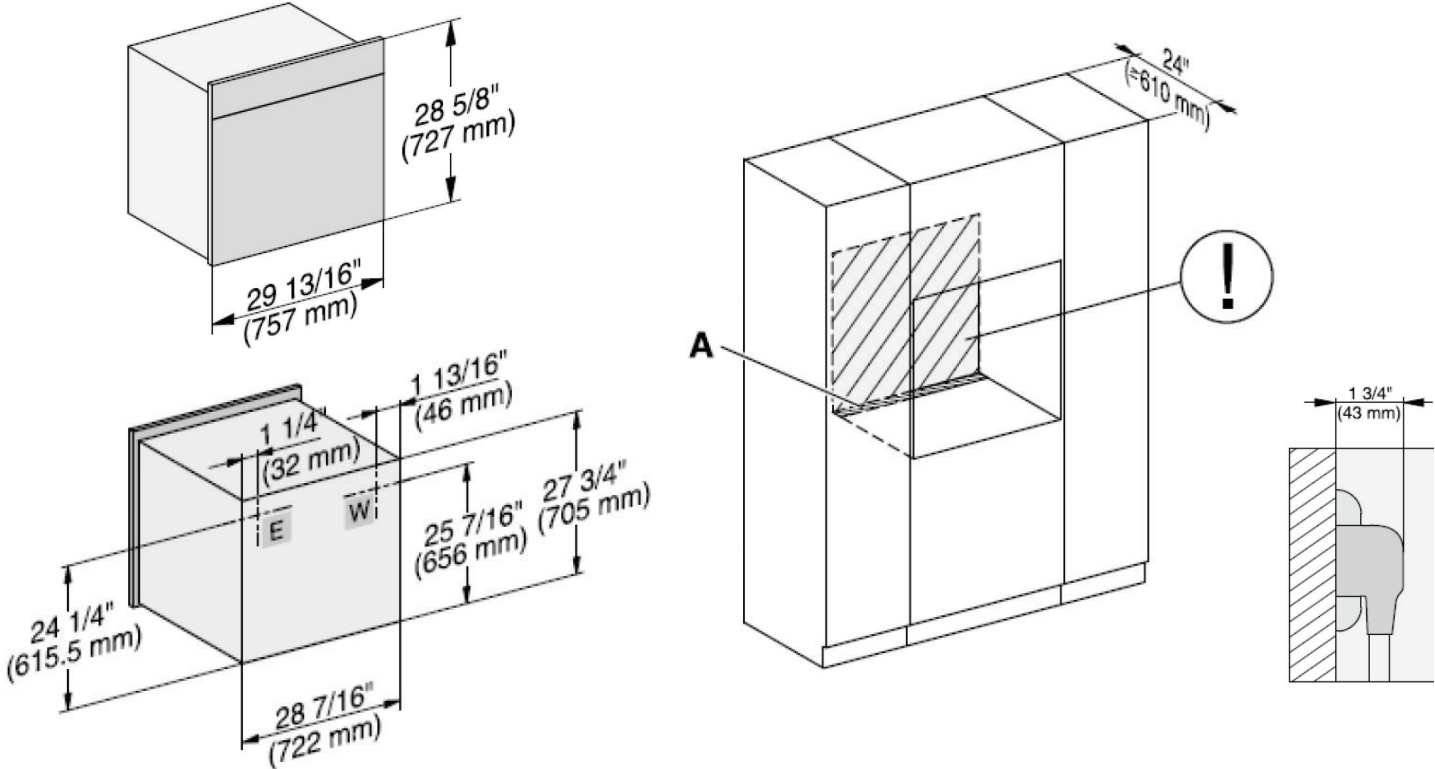
### FLUSH INSTALLATION



\* Oven with glass  
\*\* Oven with metal

## 30" Convection Oven - Proud Installation

### PRODUCT DIMENSIONS

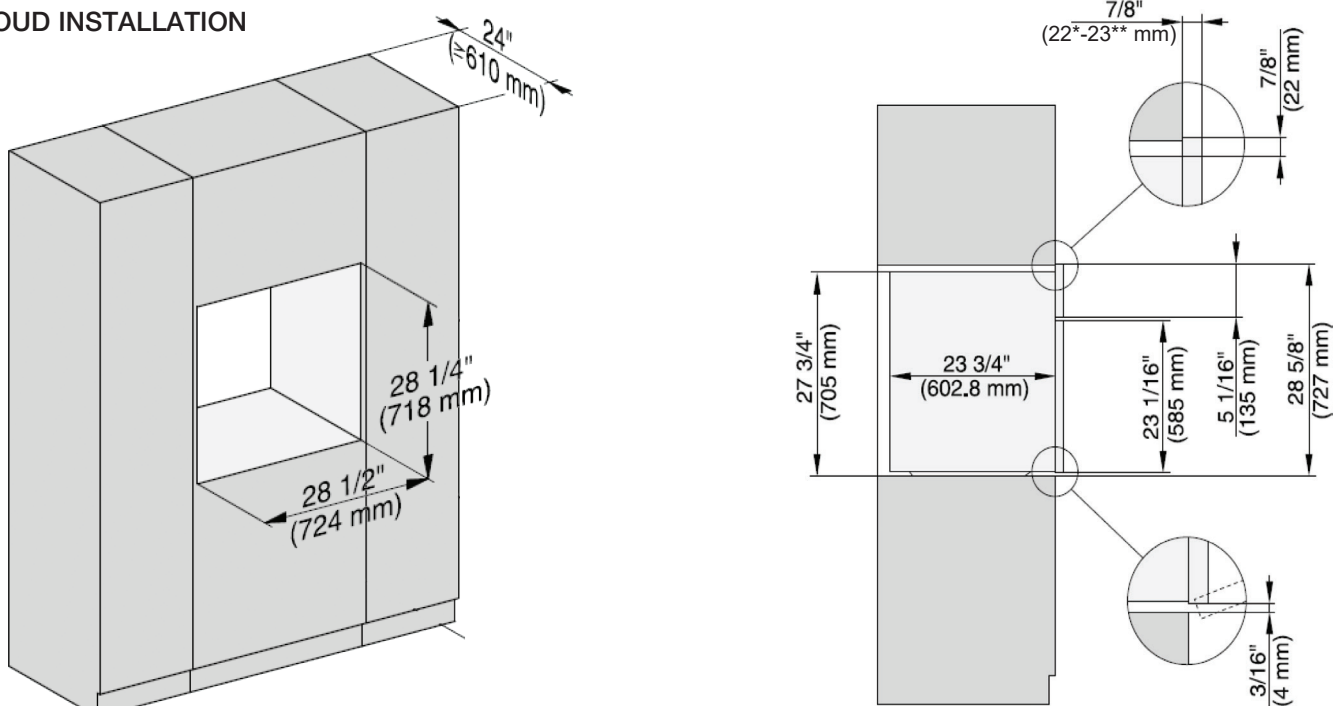


A - Cut-out (4" x 28" / 100 mm x 720 mm) in the bottom of the cabinet for power cord and ventilation

ⓘ - Electrical and water supplies are recommended to be placed in adjacent cabinetry. Additional cabinet depth is required when placing the electrical and water supplies behind the appliance.

E = Electric connection    W = Water connection

### PROUD INSTALLATION



\* Oven with glass  
\*\* Oven with metal