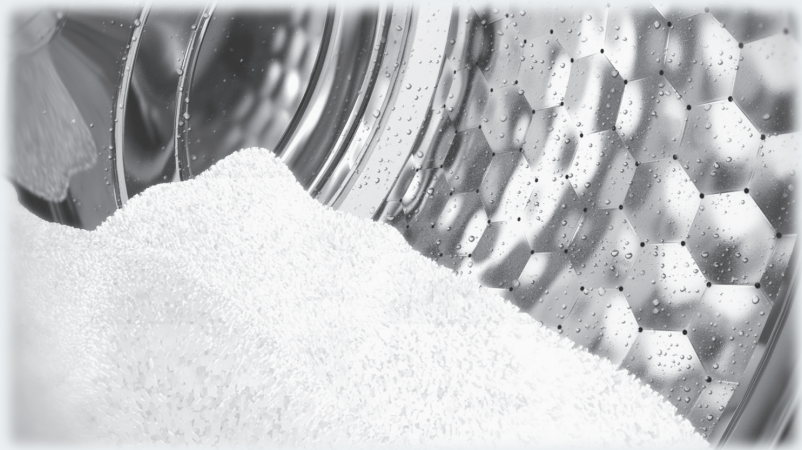


Operating and Installation Instructions Washer



To prevent accidents and appliance damage, read these instructions **before** installation or use.

Caring for the environment

Disposal of the packing material

The cardboard box and packing materials protect the appliance during shipping. They have been designed to be biodegradable and recyclable.

Ensure that any plastic wrappings, bags, etc. are disposed of safely and kept out of the reach of children. Danger of suffocation!

Disposal of your old appliance

Electrical and electronic appliances contain valuable materials. They also contain certain substances, compounds and components which were essential for the proper functioning and safe use of the equipment. Handling these materials improperly by disposing of them in your household waste can be harmful to your health and the environment. Therefore, please do not dispose of your old appliance with regular household waste and follow local regulations on proper disposal.



Consult with local authorities, dealers or Miele in order to dispose of and recycle electrical and electronic appliances. Miele assumes no responsibility for deleting any personal data left on the appliance being disposed. Please ensure that your old appliance is kept away from children until removal. Observe safety requirements for appliances that may tip over or pose an entrapment hazard.

Caring for the environment	2
IMPORTANT SAFETY INSTRUCTIONS	6
Guide to the washer	11
Control panel	11
How the control field works.....	12
Before using for the first time	14
Removing the protective film and stickers	14
Environmentally friendly washing	16
1. Prepare the laundry	17
2. Load the laundry	18
3. Select a program	19
4. Adding detergent	21
Detergent dispenser drawer	21
Dispensing aids	21
Using chlorine bleach.....	22
Using powder detergent.....	22
Using detergent tablets or pods.....	22
Using fabric softener and liquid starch	23
CapDosing.....	23
5. Starting a program	26
6. Program end – removing the laundry	27
Spin cycle	28
Delay Start	30
Program guide	31
Extra options	34
Heavy soiled	34
Light soiled	34
Pre-wash	34
Buzzer.....	34
The following extra options can be selected in addition to the programs	35
Changing the program sequence	36
Changing the program	36
Canceling a program	36
Interrupting a program.....	36
Adding or removing laundry	37

Contents

Detergent	38
Miele-recommended detergents	38
General detergent recommendations.....	39
Cleaning and care	40
Cleaning the drum (hygiene info).....	40
Cleaning the housing and control panel.....	40
Cleaning the detergent dispensing drawer	40
Cleaning the water inlet filter	43
Frequently asked questions	44
Problem solving guide	44
A wash program cannot be started	44
The program is canceled and a fault indicator light lights up on the control field.....	45
During the program, a symbol appears on the time display	46
At the end of the program, an indicator light lights up on the control field.....	46
General problems with the washer.....	47
Poor wash results	49
The drum door cannot be opened	50
Opening the door in the event of a blocked drain outlet and/or power outage ...	51
Technical Service	53
Contact in case of fault	53
Optional accessories.....	53
Warranty	53
Installation	56
Front view	56
Rear view.....	57
Installation surface	58
Transporting the washing machine to its installation site.....	58
Removing the shipping struts	58
Refitting the shipping struts	60
Leveling the machine.....	61
Unscrewing and adjusting the feet.....	61
Additional installation requirements	62
Installing under a countertop.....	62
Setting up the cabinet	62
For closets at room height.....	63
Product Dimensions	63
Dimensions.....	63
Installation on a plinth	64
Washer-dryer stack	64

The water protection system.....	65
Water intake	66
Water drainage	67
Electrical connection.....	68
Technical data	69
Programmable functions	70
Choosing and selecting programmable functions	70
Editing and saving the programmable function	71
Exiting the programming level.....	71
<i>P12</i> Buzzer.....	71
<i>P13</i> Keypad tone.....	71
<i>P14</i> PIN code.....	72
<i>P22</i> Control field switch-off status	72
<i>P24</i> Memory	73
<i>P25</i> Water intake	73
<i>P26</i> Additional long pre-wash – Normal.....	74
<i>P28</i> Gentle action	74
<i>P29</i> Reducing the temperature.....	74
<i>P32</i> Maximum rinse level	75
<i>P33</i> Suds cooling	75
<i>P34</i> Anti-crease	75
<i>P49</i> Low water pressure.....	75
<i>P55</i> Chlorine bleach	76
<i>P62</i> Display brightness dimmed.....	76
<i>P63</i> Welcome tone.....	76
Optional accessories	77
Detergent.....	77
Speciality detergents.....	77
Fabric care.....	78
Additive	78
Machine care.....	78

IMPORTANT SAFETY INSTRUCTIONS

WARNING

To reduce the risk of fire, electric shock or injury to persons while using your appliance follow basic safety precautions, including the following:

▶ Read all instructions before using the appliance.

▶ GROUNDING INSTRUCTIONS

This appliance must be grounded. In the event of a malfunction or breakdown, grounding will reduce the risk of electric shock by providing a path of least resistance for electric current. This appliance is equipped with a cord having an equipment-grounding conductor and a grounding plug. The plug must be plugged into an appropriate outlet that is properly installed and grounded in accordance with all local codes and ordinances.

▶ **WARNING** - Improper connection of the equipment-grounding conductor may result in a risk of electric shock. Check with a qualified electrician if you are in doubt as to whether the appliance is properly grounded.

▶ Do not modify the plug provided with the appliance - if it will not fit the outlet, have a proper outlet installed by a qualified electrician.

▶ Do not install or use a washer with visible damage.

▶ Do not install or store this appliance where it will be exposed to the weather.

▶ Do not install your washing machine where temperatures below freezing may occur. Frozen hoses may burst under pressure. The reliability of the electronic control unit may be impaired at temperatures below freezing.

IMPORTANT SAFETY INSTRUCTIONS

- ▶ Before connecting the machine, ensure that the connection data on the data plate (fusing, voltage and frequency) match the mains electrical supply. If in doubt contact an electrician.
- ▶ Do not use an extension cord to connect this appliance to the power supply. Extension cords do not guarantee the required safety of the appliance (e.g. danger of overheating).
- ▶ This appliance is not designed for maritime use or for use in mobile installations such as recreational vehicles or aircraft. However, under certain conditions it may be possible for an installation in these applications. Please contact the Miele Technical Service Dept. with specific requirements.
- ▶ Do not repair or replace any part of the appliance or attempt any servicing unless specifically recommended in these operating instructions.
- ▶ If the power cord is damaged it must only be replaced by a Miele Service technician with a genuine Miele power cord.
- ▶ Under certain conditions, hydrogen gas may be produced in a hot water system that has not been used for 2 weeks or more. **HYDROGEN GAS IS EXPLOSIVE.** If the hot water system has not been used for such a period, turn on all hot water faucets and let the water flow from each for several minutes before using the washing machine. This will release any built-up hydrogen gas. Do not smoke or use an open flame during this time, the gas is flammable.
- ▶ Before the appliance is removed for service or discarded, remove the door.

IMPORTANT SAFETY INSTRUCTIONS

Use

- ▶ Do not allow children to play on or in the appliance. Close supervision is necessary when the appliance is used near children.
- ▶ The drum door glass will be hot when washing at very high temperatures. Do not touch the glass. Danger of burns! Keep children away from the washer when in use.
- ▶ Only use the washing machine to wash items which are specified by the manufacturer to be machine washable on the fabric care label. Any other applications may be dangerous.
- ▶ Do not wash articles that have been previously cleaned, washed, soaked or spotted with gasoline, dry-cleaning solvents or other flammable substances. These articles give off vapors that could ignite or explode. Do not add these items to the wash load.
- ▶ Do not add gasoline, dry-cleaning solvents, or other flammable or explosive substances to the wash water. These substances give off vapors which could ignite or explode.
- ▶ Do not use cleaning solvents on or near the machine or the controls. Contact with cleaning solvents will damage the surface..
- ▶ Do not reach into the appliance if the drum is moving.
- ▶ Do not tamper with the controls.

SAVE THESE INSTRUCTIONS

IMPORTANT SAFETY INSTRUCTIONS

- ▶ Miele tumble dryers and Miele washing machines can be installed as a washer-dryer stack. A Miele washer-dryer connection kit is required as an optional accessory for this. Please ensure that the washer-dryer connection kit is suitable for the Miele tumble dryer and the Miele washing machine.
- ▶ If installing the machine on a Miele plinth (available as an optional accessory), please make sure you order the correct one for this washing machine.
- ▶ Should detergent enter the eyes, rinse out immediately with plenty of lukewarm water. If accidentally ingested, seek medical advice immediately. People who have sustained damage to the skin or who have sensitive skin should avoid contact with the detergent.
- ▶ The maximum dry laundry weight is 17.6 lb (8 kg). See the “Program guide” for the maximum recommended loads for individual programs.
- ▶ This product may contain chemicals known to the state of California to cause cancer or birth defects or other reproductive harm.

IMPORTANT SAFETY INSTRUCTIONS

FCC Declaration of Conformity

▶ These devices comply with FCC Rules Part 15. This equipment has been tested and found to be in compliance with the limits for a Class B digital device, pursuant to Part 15 of the FCC Rules of Operation and is subject to the following conditions:
These devices may not cause harmful interference.
These devices must accept any interference received, including interference that may cause undesired operation.

FCC Radiation Exposure Statement

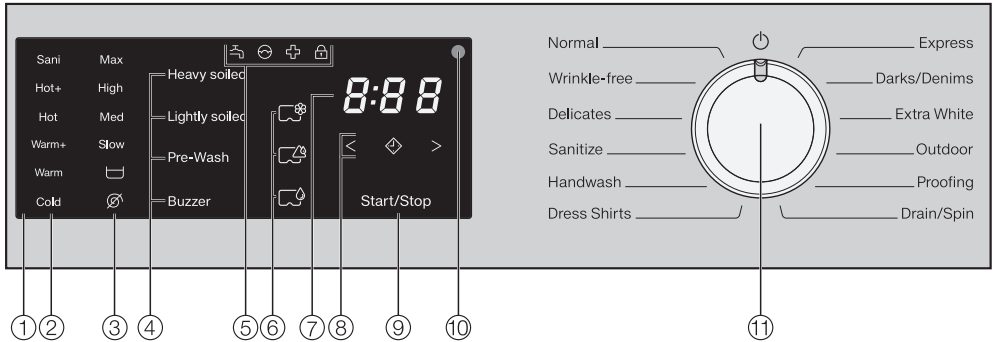
▶ This equipment complies with FCC radiation exposure limits set forth for an uncontrolled environment. This equipment should be installed and operated with minimum distance 8" (20 cm) between the radiator and your body.




Industry Canada Statement

▶ This digital apparatus does not exceed the Class B limits for Radio Noise Emissions from digital apparatus set out in the Radio Interference Regulations of the Canadian Department of Communications.

Complies with Canadian ICES-003 Class B specifications.

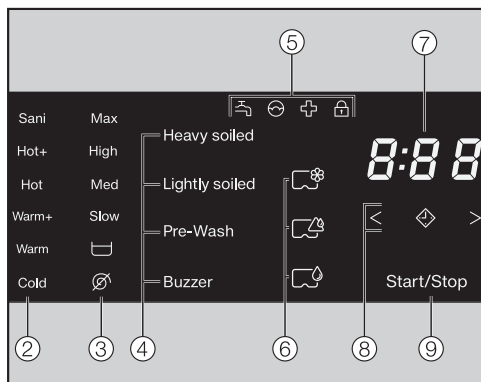
Control panel



- ① **Control field**
- ② **Temperature sensor buttons** for selecting the temperature.
- ③ **Spin Speed sensor buttons** for selecting the spin speed.
- ④ **Extra Options sensor buttons** for the various extra options that can be added to the wash programs.
- ⑤ **Indicator lights**  light up when necessary
- ⑥ **CapDosing sensor buttons**
- ⑦ **Time display** for the program duration
- ⑧ **Sensor buttons** <  > for the Delay Start function
- ⑨ **Start/Stop sensor button** for program start/cancellation
- ⑩ **Optical interface** for service technicians
- ⑪ **Program selector** for selecting programs and for switching off. The washing machine is switched on when you select a program, and switched off by turning the program selector to the  position.

Guide to the washer

How the control field works



The ②, ③, ④, ⑥, ⑧, and ⑨ sensor buttons react to fingertip contact. Selection is possible as long as the respective sensor button is lit.

If a sensor button is brightly lit, this means it is currently selected

If a sensor button is dimly lit, this means it can be selected

② and ③ sensor buttons for temperature and spin speed

After a wash program has been selected with the program selector, the recommended temperature (in °F) and spin speed (in rpm) light up brightly.

Selectable temperatures and spin speeds light up dimly.

④ Sensor buttons for extra options

You can supplement the wash programs with extra options.

If a wash program has been selected, the sensor buttons for the available extra options light up dimly.

⑤ Indicator lights

- lights up if there are faults affecting the water intake and drainage
- lights up if excess detergent was used
- lights up as a reminder about hygiene information
- flashes for as long as it is possible to add laundry
lights up when the door of the washing machine is locked

⑥ CapDosing

The CapDosing sensor buttons are used for activating cap dosing.

- Fabric care (e.g., fabric softener, proofing agent)
- Additives (e.g., detergent enhancers)
- Detergent (for the main wash only)

⑦ Time display

After the program has started, the program duration will appear on the display in hours and minutes.

When Delay Start is being used, the program duration will appear after the Delay Start time has elapsed.

⑧ Sensor buttons < ⬠ >

– ⬠

After touching the ⬠ sensor button, a later start time for the program (Delay Start) can be selected. Once selected, ⬠ lights up brightly.

– < >

The duration of the Delay Start period is selected by touching the < or > sensor button.

The Delay Start time selected will appear on the time display.


After the program has started, the Delay Start time will begin to count down.

Once the Delay Start time has elapsed, the program begins and the estimated program duration appears on the time display.

⑨ Start/Stop sensor button

Touching the *Start/Stop* sensor button starts the selected program or cancels a program that has already been started. The sensor button flashes slowly as soon as it is possible for a program to be started and then lights up constantly after the program has started.

Before using for the first time

 Damage from incorrect installation and connection.

Installing and connecting the washing machine incorrectly will cause serious damage to property.

See "Installation".

Removing the protective film and stickers

■ Remove:

- The protective film from the door
- Any stickers (if present) from the front and the lid

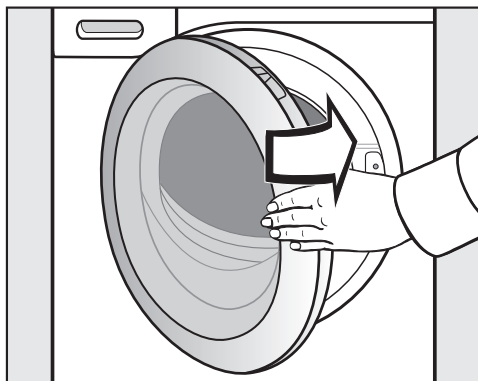
Please do not remove any labels (e.g., the data plate) which are visible when you open the door.

Remove the drain hose elbow from the drum

An elbow piece for the drain hose is stored in the drum.



- Pull open the door.
- Remove the elbow piece.



- Shut the door.

This washing machine has undergone a complete functional test at the factory and some residual water will therefore remain in the drum from this process.

For safety reasons, spinning is not possible until the machine has been prepared for use for the first time. To activate the spinning function, you must run a wash program without laundry and without detergent.

Using detergent could result in an excessive build-up of foam!

The ball valve is activated at the same time. The ball valve prevents detergent escaping from the suds container into the sump during a wash program, thus making maximum use of the detergent.


Before using for the first time

Running the first program

- Turn on the water supply.
- Turn the program selector to *Normal*.



The washing machine is now switched on and the temperature *hot+* lights up on the control field.

- Touch the *Start/Stop* sensor button.

The program starts and the  symbol lights up on the control field.

After 10 minutes, the indicators dim and the *Start/Stop* sensor button starts flashing.

At the end of the program

At the end of the program, the Anti-crease function is switched on. The  symbol lights up on the control field,  appears on the time display, and the drum occasionally rotates.

- Touch the *Start/Stop* sensor button.

The door will be unlocked.



- Reach under the recessed grip and pull the door open.

Tip: Leave the door slightly open to allow the drum to dry.

- When the program has ended, turn the program selector to .


The washing machine is switched off again and is now ready for use.

Energy savings

- 10 minutes after the beginning of the Anti-crease phase, the indicators dim and the *Start/Stop* sensor button starts flashing.
- 15 minutes after completion of the Anti-crease phase, the washing machine switches off completely and the door lock is released.

Environmentally friendly washing

Energy and water consumption

- Make use of the maximum load that the wash program can accommodate. This will keep the energy and water consumption to a minimum in relation to the size of the load.
- When smaller amounts of laundry are washed, the washing machine's automatic load control system will reduce the amount of water and energy used.
- Use the *Express* program for small, lightly soiled loads.
- Modern detergents make it possible to wash at lower temperatures (e.g., 70°F/20°C). Using the corresponding temperature settings will save energy.
- To maintain the hygiene of the machine, carry out a hot wash (above 60°C) at regular intervals. The  indicator will come on to remind you to carry out a hot wash.

Detergent consumption

- Do not exceed the amounts of detergent recommended on the packaging.
- Adjust the dosage to the level of soiling of the laundry.
- Reduce the amount of detergent with smaller loads (approx. 1/3 less than the amount recommended can be used when washing a half load).

When drying with a tumble dryer

Select the highest possible spin speed for the wash program to save energy in the subsequent tumble dryer cycle.

1. Prepare the laundry



- Empty all pockets.

⚠ Damage due to foreign objects. Nails, coins, paper clips, and so on can cause damage to garments and components in the machine. Check the laundry before washing and remove any such foreign objects.

Sort the laundry

Only wash items that are labeled machine washable by the manufacturer. Most garments have a fabric care label in the collar or side seam.

- Sort the laundry by care label and color.

Tip: Dark fabrics often bleed the first few times they are washed. They should be washed separately several times before being included in a mixed load.

Pre-treating stains

- Badly soiled areas and stains should be cleaned as soon as possible, preferably while still fresh. Stains should be carefully dabbed off using a soft, colorfast cloth. Do not rub!


Tip: Stains (such as blood, egg, coffee, and tea) can be pre-treated using some handy tricks which can be found in the Miele guide to laundry care. Please contact Miele directly or submit a request via Internet page to obtain or view a copy of this manual.

⚠ Damage due to solvent-based cleaning agents
Cleaning agents containing benzene, stain remover, etc., can damage plastic parts.
When pre-treating a stain, make sure that plastic parts do not come into contact with cleaning agents.

⚠ Risk of explosion due to solvent-based cleaning agents.
When using solvent-based cleaning agents, an explosive mixture may develop.
Never use solvent-based cleaning agents in the washing machine.

General tips

- Curtains: Remove any lead weights or strips before washing.
- Loose bra underwires should be removed or sewn in place before washing.
- Close zippers, hooks and eyelets before washing.
- Comforter covers and pillowcases should be fastened to prevent small items from rolling inside of them.

Do not wash items with the  symbol on the fabric care label.

2. Load the laundry

Opening the door



- Take hold of the door and pull it open.

Check the drum for pets or foreign objects before loading it with laundry.

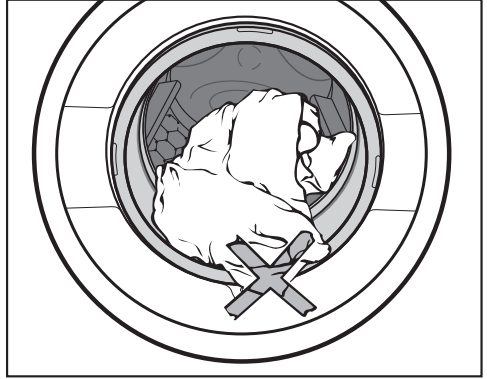
The most efficient use of energy and water is achieved when a full load is washed. However, do not overload as this reduces cleaning efficiency and causes creasing.

- Unfold the laundry and load loosely in the drum.

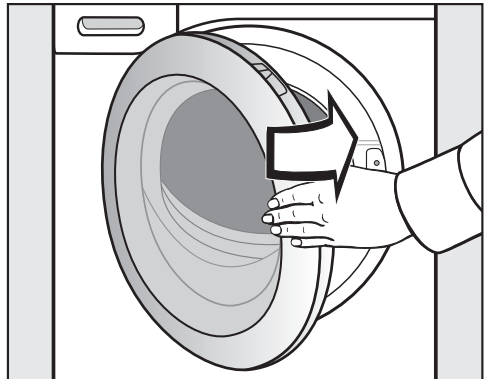
Mixing both large and small items gives better wash results and also helps distribute the load evenly during spinning.

Tip: Please note the maximum load for different wash programs.

Closing the door



- Make sure that no items are caught between the door and the seal.

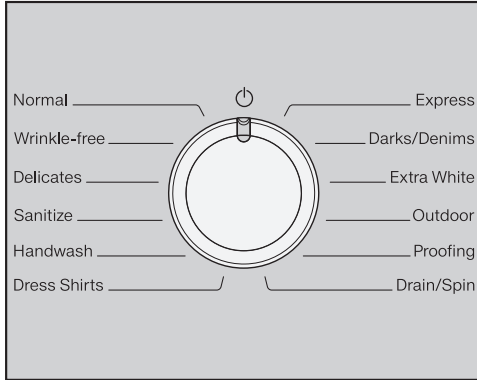


- Shut the door with a gentle swing.

3. Select a program

Program selection

The washing machine is switched on by turning the program selector to a wash program.



- Turn the program selector to the required program.

The estimated wash time is shown on the time display and the pre-set temperature and spin speed light up in the control field.

Selecting a temperature and spin speed

The wash program's pre-set temperature and spin speed light up brightly. The choice of temperatures and spin speeds selectable for the wash program light up dimly.

Sani	Max
Hot+	High
Hot	Med
Warm+	Slow
Warm	
Cold	

- Touch the sensor button for the temperature desired. It will then light up brightly.
- Touch the sensor button for the spin speed desired. It will then light up brightly.

3. Select a program

Selecting extra options

The selection of extra options available for the wash program lights up dimly.

Heavy soiled

Lightly soiled

Pre-Wash

Buzzer

- Touch the sensor button for the required extra option. It will then light up brightly.

Tip: You can select multiple extra options for a wash program.

Please refer to “Extra options” for more information.

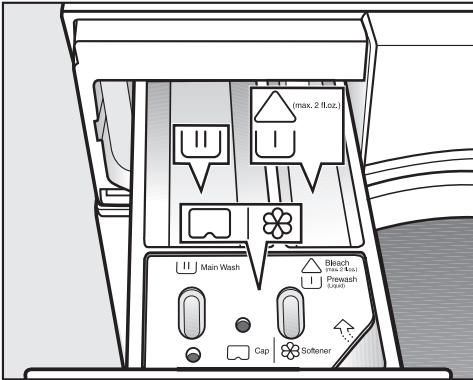
4. Adding detergent

Detergent dispenser drawer

This washing machine requires high efficiency detergent. Adhere strictly to the dispensing amounts supplied by the detergent manufacturer. The detergents must be marked with the following label:



Filling with detergent



- Pull out the detergent drawer and add detergents to the compartments.

- △ Chlorine bleach for removing stains or liquid detergent for the pre-wash
- U Detergent for the main wash and soaking
- ⊗ Fabric softener, liquid starch, or capsules

Tips for dispensing

Adjust the detergent dosage to the level of soiling of the laundry and the maximum load. Reduce the amount of detergent with smaller loads (e.g., reduce the amount of detergent by $\frac{1}{3}$ when washing a half load).

Too little detergent:

- The laundry is not cleaned properly and may become gray and hard to the touch over time.
- Can lead to a build-up of mould in the washing machine.
- Grease is not completely removed from the laundry.
- Can lead to limescale deposits on the heater elements.

Too much detergent


- Poor wash, rinse, and spin results.
- Causes higher water consumption as an extra rinse cycle is automatically activated.
- A greater burden on the environment.

Dispensing aids

Use dispensing aids (e.g., balls) if these are supplied with the detergent, particularly when using liquid detergent.

4. Adding detergent

Using chlorine bleach

 Damage due to chlorine bleach. Textiles may be discolored or their fibers damaged. Only use chlorine bleach on suitable textiles.

Chlorination **must** be activated in the programmable functions before chlorine bleach is first used.

Chlorine bleach may be used in the following programs:

- Normal
- Wrinkle-free
- Sanitize
- Dress Shirts
- Extra White

Dispensing chlorine bleach


Follow the manufacturer's instructions on the packaging.


The extra option *pre-wash* must **not** be selected.

- Pour **max. ¼ cup (60 ml)** of chlorine bleach into the  chamber.


The chlorine bleach is added automatically 10 minutes before the end of the main wash.

Using powder detergent

The detergent dispenser drawer contains an insert for liquid detergent in the  compartment. This insert must be removed to use powder detergent.

It is **not possible** to use powder detergent in the  compartment.

A pre-wash cannot be carried out when using powder detergent.

- Remove the detergent dispenser drawer.
- Remove the insert for liquid detergents from the  compartment.

Tip: Reinsert the insert into the detergent dispenser drawer before next using liquid detergent.

Using detergent tablets or pods

Always put detergent tablets or pods directly in the drum with the laundry. They cannot be added via the detergent dispenser drawer.

4. Adding detergent

Using fabric softener and liquid starch

Fabric softeners

make garments soft to handle and help prevent static cling when tumble drying.

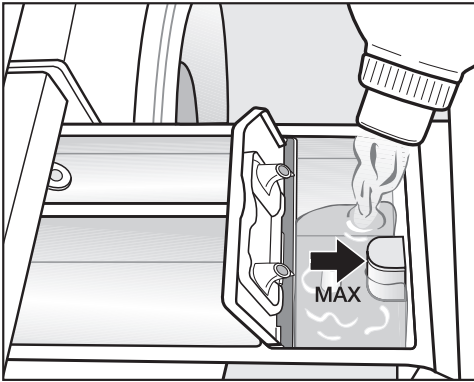
Liquid starch

is synthetic and provides good stiffness to fabric.

Natural starch

stiffens and gives body to fabric.

Adding fabric softener



- Add the fabric softener or the liquid starch to the ☼ compartment. **Do not exceed the maximum level mark.**

It will be automatically dispensed in the final rinse cycle. At the end of the program, a small amount of water remains in the ☼ compartment.

If starching frequently, clean the dispenser compartment, especially the siphon, regularly.

CapDosing

Three different types of capsule are available:

- ☼ = Fabric care (e.g., fabric softener, proofing agent)
- ☽ = Additives (e.g., detergent enhancers)
- ☹ = Detergent (for the main wash only)

Each capsule contains the correct amount for one wash cycle.

Capsules are available to order from Miele's online store, Miele customer service, or your Miele dealer.

⚠ Capsules pose a health risk. The ingredients of capsules can be hazardous to health if they are swallowed or come into contact with skin. Keep capsules out of the reach of children.

Switching on CapDosing

- Touch the sensor button for the capsule you want to use.

Sensor button



for



for



for

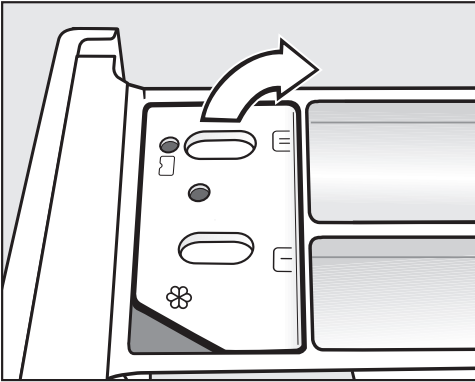
Capsule



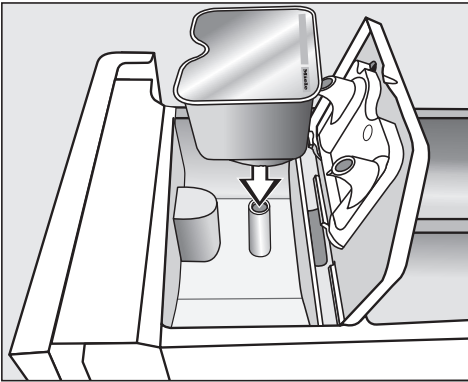
4. Adding detergent

Inserting a capsule

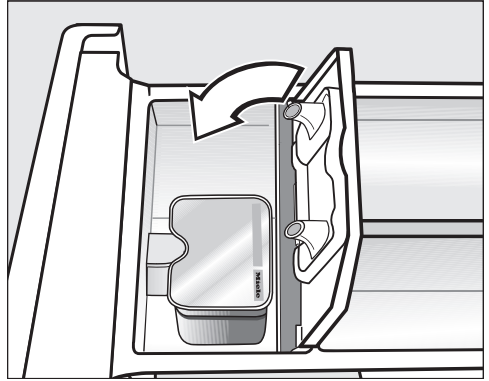
- Open the detergent dispenser drawer.



- Open the lid of the ☸/☐ compartment.



- Press the capsule in firmly.





- Close the lid and press it firmly shut.
- Close the detergent dispenser drawer.

The capsule is opened by the act of inserting it in the detergent dispenser drawer. The contents can run out of the capsule if you then remove it from the drawer before it is used. Dispose of opened capsules.

4. Adding detergent

The contents of the capsule will be added to the wash program at the correct time.

During CapDosing, water intake to the  compartment takes place solely via the capsule.

Do not add any additional fabric softener to the  compartment.


- Remove the empty capsule at the end of the wash program.

For technical reasons, a small amount of water will remain in the capsule.

Switching off/Changing CapDosing

- In order to switch off CapDosing, touch the brightly lit sensor button.
- In order to change CapDosing, touch one of the other capsule sensor buttons.

Color run and dye removers

 Damage due to color run/dye removers.

Color run and dye removers can cause corrosion in the washing machine.

Do not use color run or dye removers in the washing machine.



Dyes suitable for use in domestic washing machines can be used. However, please note that the salt used in the dyeing process can cause corrosion to stainless steel components in the machine if you use dye frequently. Always observe the dye manufacturer's instructions carefully.

5. Starting a program

Starting a program

- Touch the flashing *Start/Stop* sensor button.

The door will lock and the program will start.

- As long as the  symbol is flashing on the control field, you can add laundry.
- When the  symbol lights up constantly, the door is locked until the end of the program.

If a Delay Start time has been selected, this will count down on the time display. At the end of the Delay Start time or immediately after the program has started (if no Delay Start time has been selected), the program duration will appear on the time display.

Energy savings


After 10 minutes, the indicators dim. The *Start/Stop* sensor button will flash slowly.

You can reactivate the indicators:


- Touch the *Start/Stop* sensor button (this does not have any effect on a running program).

6. Program end – removing the laundry

Program end

The time display shows 0:00. The  symbol will remain lit up on the control field. The door is locked in the Anti-crease phase.

- Touch the *Start/Stop* sensor button.

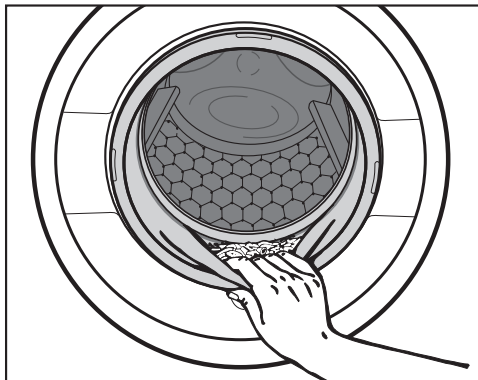
The door unlocks and the  symbol on the control field goes out.

- Pull open the door.
- Remove the laundry.

Energy savings


- 10 minutes after the beginning of the Anti-crease phase, the indicators dim and the *Start/Stop* sensor button starts flashing.
- 15 minutes after completion of the Anti-crease phase, the washing machine switches off completely and the door lock is released.

Items left in the drum could discolor other items in the next wash or become discolored themselves. Remove all items from the drum.



- Check the folds in the door seal for any foreign objects.

Tip: Leave the door slightly open to allow the drum to dry.

- Turn the program selector to the  position. This switches the washing machine off.
- If applicable, remove the used capsule from the detergent dispenser drawer.

Tip: Leave the detergent dispenser drawer slightly open to allow it to dry.

Spin cycle

Final spin speeds

Program	Selectable spin speeds					
	Max.	High	Med	Slow	D	⊗
Normal	✓	-	-	-	X	X
Wrinkle-free	-	✓	X	X	X	X
Delicates	-	-	✓	X	X	X
Sanitize	✓	X	-	-	X	X
Handwash	-	✓	X	X	X	X
Dress Shirts	-	-	✓	X	X	X
Express	-	✓	X	X	X	X
Darks/Denims	-	✓	X	X	X	X
Extra White	✓	X	-	-	X	X
Outdoor	-	-	✓	X	X	X
Proofing	-	X	✓	X	X	X
Drain/Spin	✓	X	X	X	-	X

✓ = optimum spin speed for program is pre-set

X = can be selected - = cannot be selected


Final spin speed in the wash program

When a program is selected, the sensor button for the optimum spin speed for that program will be brightly lit up on the control field.

A faster spin speed can be selected for certain wash programs.

The highest selectable spin speed is indicated in the table.

Omitting the final spin (Rinse hold)

- Touch the  sensor button (Rinse hold).

The laundry is not spun after the final rinse and remains in the rinse water. This helps prevent creasing if the laundry is not going to be removed from the drum immediately after the end of the program.

After the end of a program

The sensor button for the optimum spin speed lights up on the control field. You can change the spin speed. The *Start/Stop* sensor button will flash slowly.


- To start the final spin:
Touch the flashing *Start/Stop* sensor button **once**.

The final spin is carried out.

- To end the program:
Touch the flashing *Start/Stop* sensor button **twice**.

The water will be pumped away.

Deselecting the rinse-spin and final spin

- Touch the  sensor button.

After the last rinse cycle, the water will be pumped away and the Anti-crease phase will switch on.

An Extra Rinse cycle is carried out with this setting for certain wash programs.

Rinse-spin


There is a spin cycle after the main wash and between the rinse cycles. A reduction in the final spin speed will also reduce the interim spin speed as appropriate. If a spin speed of less than 700 rpm is selected for the *Normal* program, an Extra Rinse phase is carried out.

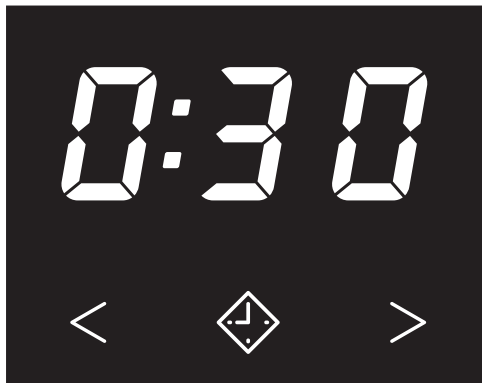
Delay Start

With Delay Start, you can delay the start of a program from 30 minutes up to a maximum of 24 hours. This allows you to make use of night-time economy electricity rates, for example.

Selecting Delay Start

Delay Start cannot be selected in the *Drain / Spin* or *Proofing* programs.

- Select the program required.
- Touch the  sensor button.



The  sensor button lights up brightly.

- Touch the < or > sensor button repeatedly until the required Delay Start time appears on the time display.
- In the case of settings below 10 hours, the Delay Start time changes in increments of 30 minutes
- In the case of settings above 10 hours, the Delay Start time changes in increments of 1 hour


Starting Delay Start

- Touch the flashing *Start/Stop* sensor button.

The Delay Start process starts and counts down on the time display.

Altering Delay Start


- Touch the *Start/Stop* sensor button.

The Delay Start process stops and the  symbol on the control field goes out.


- Touch the < or > sensor button repeatedly until the required Delay Start time appears on the time display.
- Touch the flashing *Start/Stop* sensor button.

Canceling Delay Start

- Touch the *Start/Stop* sensor button.

The Delay Start process stops and the  symbol on the control field goes out.

- Touch the brightly lit  sensor button.










Delay Start is canceled and the  sensor button goes out. The program duration appears on the time display.

- Touch the flashing *Start/Stop* sensor button in order to start the wash program.





Program guide

Temperature with garment care label symbols			Item/Tip
Normal			Full load (17.6 lb/8 kg)
Hot+	140°F/60°C		Cotton, linen, and mixed fiber textiles made of both cotton and linen.
Hot	120°F/50°C		
Warm+ ✓	105°F/40°C		
Warm	85°F/30°C		
Cold	Cold		
USA test program in accordance with: DOE Federal Register 10 CFR Part 430 Appendix J2 to subpart B Canada test program in accordance with: CAN/CSA-C360-13			
Wrinkle-free			Half load (8.8 lb/4 kg)
Hot+	140°F/60°C		Synthetic or mixed fiber fabric, or wrinkle-free cotton.
Hot	120°F/50°C		
Warm+ ✓	105°F/40°C		
Warm	85°F/30°C		
Cold	Cold		
Delicates			Small load (6.6 lb/3 kg)
Hot+	140°F/60°C		For fine textiles made from synthetic fibers.
Hot	120°F/50°C		
Warm+ ✓	105°F/40°C		
Warm	85°F/30°C		
Cold	Cold		
Sanitize			Full load (17.6 lb/8 kg)
Sani ✓	170°F/75°C		Cotton or linen fabrics with direct skin contact or for which special hygiene requirements apply.

Program guide

Temperature with garment care label symbols		Item/Tip	
Handwash			Small load (4.4 lb/2 kg)
Warm+ ✓	105°F/40°C		For fine textiles which are only suitable for hand washing.
Warm	85°F/30°C		
Cold	Cold		
Dress Shirts			Small load (4.4 lb/2 kg)
Hot+	140°F/60°C		Pre-treat collars and cuffs depending on the level of soiling.
Hot	120°F/50°C		
Warm+ ✓	105°F/40°C		Wash dress shirts and silk blouses in the <i>Delicates</i> program.
Warm	85°F/30°C		
Cold	Cold		
Express			Half load (7.7 lb/3.5 kg)
Warm+	105°F/40°C		Cotton textiles that have hardly been worn or are only very lightly soiled.
Warm ✓	85°F/30°C		
Cold	Cold		Selecting the <i>Lightly soiled</i> extra option will reduce the washing time by 10 minutes.
Darks/Denims			Small load (4.4 lb/2 kg)
Warm+ ✓	105°F/40°C		Black and dark garments made from cotton, mixed fibers, and denim. – Wash inside out. – Denim often contains excess dye and may run during the first few washes. Therefore, wash light and colored items separately.
Warm	85°F/30°C		
Cold	Cold		

Program guide

Temperature with garment care label symbols		Item/Tip	
Extra White		Full load (17.6 lb/8 kg)	
Hot+ ✓	140°F/60°C		For white textiles made of cotton or linen without special hygiene requirements.
Outdoor		Small load (5.5 lb/2.5 kg)	
Warm+ ✓	105°F/40°C		Performance outerwear (e.g., jackets and trousers) made from membrane fabric such as Gore-Tex®, SYMPATEX®, WINDSTOPPER®, etc. – Zip up or close any jackets with Velcro before washing. – Do not use fabric softener. – If required, these garments can also be re-proofed using the <i>Proofing</i> program. Reproofing after each wash cycle is not recommended.
Warm	85°F/30°C		
Cold	Cold		
Proofing		Small load (5.5 lb/2.5 kg)	
Warm+ ✓	105°F/40°C		Treating microfiber fabric, ski wear, or table linens made from mainly synthetic fibers to provide a finish which is resistant to water and dirt. – The items should be freshly laundered and spun or dried before proofing. – For best results, the items should be heat-treated afterwards either in a tumble dryer or by ironing.
Drain / Spin		Full load (17.6 lb/8 kg)	
Cold			– Drain only: Set spin speed to  – Make sure you select the appropriate spin speed.

Extra options

You can supplement the wash programs with extra options.

Extra options are selected and deselected using the relevant sensor buttons on the control field.

Heavy soiled

Lightly soiled

Pre-Wash

Buzzer

- Touch the sensor button for the extra option you require.

The relevant button will light up brightly.

Not all the extra options can be used with every program.

An extra option that is not permitted for the wash program is not lit dimly and cannot be activated by touch.

Heavy soiled

For laundry that is very heavily soiled. The extended wash duration enhances the stain-removing effect.

Light soiled

For slightly soiled textiles that are not stained. The wash duration is reduced.

Pre-wash

For laundry with large amounts of dirt, e.g., dust and sand.

Buzzer

A buzzer sounds at the end of the program. The buzzer sounds until the washing machine is switched off. The volume of the buzzer can be changed, see “Settings – Buzzer”.

The following extra options can be selected in addition to the programs

	Heavy soiled	Light soiled	Pre-Wash	Buzzer
Normal	X	X	X	X
Wrinkle-free	X	X	X	X
Delicates	X	X	X	X
Sanitize	X	X	X	X
Handwash	-	X	-	X
Dress Shirts	X	X	X	X
Express	-	X	-	X
Darks/Denims	X	X	X	X
Extra White	X	X	X	X
Outdoor	X	X	X	X
Proofing	-	-	-	X
Drain / Spin	-	-	-	X

X = can be selected

- = cannot be selected

Changing the program sequence

Changing the program


After a program has started, it is no longer possible to select a different program.

If you would like to change the program, you have to cancel the program.

Canceling a program

You can cancel a wash program at any time after it has started.

- Touch and hold the *Start/Stop* sensor button until the time display switches to 0:00.

The water will be pumped away. As soon as the  symbol on the control field goes out, the program has been canceled.

- Open the door.

Selecting a different program after canceling the program

- Close the door.
- Check that there is still detergent in the dispenser drawer. Add more detergent if necessary.
- Turn the program selector to the program you want and start it by touching the *Start/Stop* sensor button.

Removing laundry after canceling the program

If you want to remove the laundry when it is dripping wet:


- Open the door.
- Remove the laundry.

If you want to remove the laundry after it has been spun (damp):

- Open the door.
- Close the door.
- Turn the program selector to *Drain/Spin*.

Tip: Select an appropriate spin speed.

Interrupting a program


- Turn the program selector to the  position.

The washing machine switches off.

- To continue, turn the program selector to the position of the wash program that was started.

Tip: If *-|* appears on the time display, the program selector is in the incorrect position.

Adding or removing laundry

You can add or remove laundry at the start of a wash program as long as the  symbol is flashing on the control field.

- Briefly touch the *Start/Stop* button.

The program will stop and the door will unlock.




- Pull open the door.
- Add or remove items.
- Close the door.
- Touch the *Start/Stop* sensor button.

The wash program will continue.

Detergent

Miele-recommended detergents

The Miele detergents have been developed by Miele especially for the Miele washing machine. You can order the Miele detergents from Miele's online store or you can purchase them from Miele's customer service, or your Miele dealer.

	Miele UltraWhite	Miele UltraColor	Miele Cap 	Miele Cap 	Miele Cap 
Normal	✓	✓	–	Ⓕ	Ⓗ
Wrinkle-free	–	✓	–	Ⓕ	Ⓗ
Delicates	–	✓	Ⓐ, Ⓑ, Ⓒ	Ⓕ	–
Sanitize	✓	–	–	Ⓕ	Ⓗ
Handwash	–	–	Ⓑ, Ⓓ, Ⓔ	Ⓕ	–
Dress Shirts	✓	✓	–	Ⓕ	Ⓗ
Express	–	✓	–	Ⓕ	–
Darks/Denims	–	✓	–	Ⓕ	–
Extra White	✓	✓	–	Ⓕ	Ⓗ
Outdoor	–	–	Ⓒ	–	–
Proofing	–	–	–	Ⓖ	–

✓ Recommended

– Not recommended

Ⓐ Sport

Ⓑ Downs

Ⓒ Outdoor

Ⓓ WoolCare

Ⓔ SilkCare

Ⓕ Fabric softener

Ⓖ Proofing

Ⓗ Booster

General detergent recommendations

The wash programs that are not listed do not have a detergent recommendation.

	Universal detergent	Color detergent	Detergent for Woolens and delicates	Bleach
Normal	✓	✓	-	✓
Wrinkle-free	✓	✓	-	✓
Delicates	-	✓	✓	-
Sanitize	✓	✓	-	✓
Handwash	-	-	✓	-
Dress Shirts	✓	✓	-	✓
Express	-	✓ ¹⁾	-	-
Darks/Denims	-	✓	✓	-
Extra White	✓	-	-	✓
Outdoor	-	-	✓	-


✓ Recommended

¹⁾ Liquid detergent

- Not recommended

Cleaning and care


Cleaning the drum (hygiene info)

Washing at low temperatures and/or using liquid detergent can cause bacteria and unpleasant odors to build up in the washing machine. Use the *Sanitize* program to clean the machine. This should be done at the latest when the indicator light  comes on.

Cleaning the housing and control panel

 Risk of electric shock.


Mains voltage is present when the washing machine is switched off. Disconnect the machine from the electricity supply before cleaning or maintenance.

 Risk of damage due to ingress of water.

The pressure of a water jet can cause water to get into the washing machine, resulting in damage to components.

Do not spray the washing machine with a water jet when hosing down.

- Clean the housing and control panel with a mild cleaning agent or soap and water and dry both with a soft cloth.
- The drum can be cleaned using a suitable stainless steel cleaning agent following the manufacturer's instructions on the packaging.

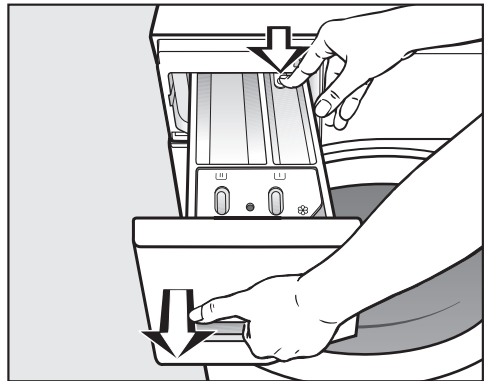
 Damage due to cleaning agents. Do not use solvents, abrasive cleaners, glass cleaners or all-purpose cleaning agents. These might damage plastic surfaces and other components because of the chemicals they contain. Do not use any of these cleaning agents.

Cleaning the detergent dispensing drawer

Washing at low temperatures and the use of liquid detergent can lead to a build-up of bacteria in the detergent dispenser drawer.


- For hygiene reasons, clean the entire drawer at regular intervals.

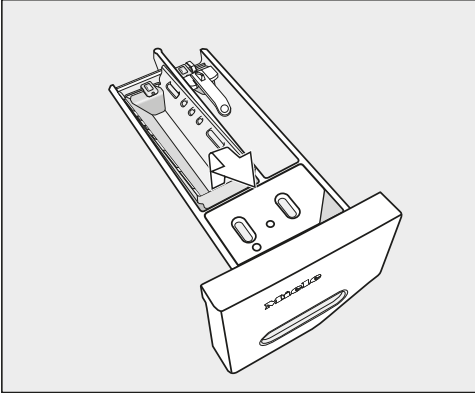
Removing the detergent dispenser drawer



- Pull out the detergent dispenser drawer until a resistance is felt. Press down the release button and at the same time pull the drawer right out of the machine.

Removing and cleaning the insert for liquid detergents

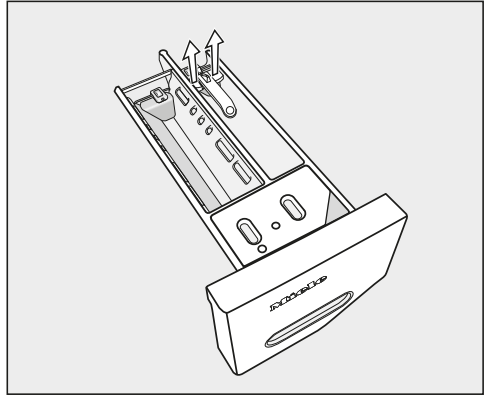
An insert for liquid detergents is located in the  compartment of the detergent dispenser drawer.



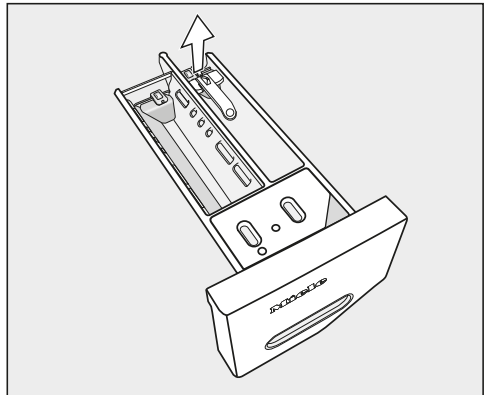
- Remove the insert. Clean the insert thoroughly with warm water.



Cleaning the compartment

Compartment 1 has a siphon for better dispensing of the chlorine bleach.





- Remove the release catch.



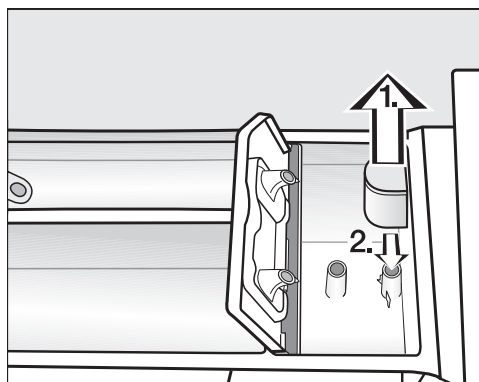
- Remove and clean the siphon.
- Clean the  and  compartments with warm water.


Cleaning and care

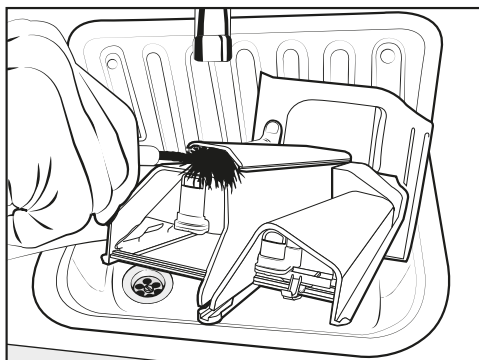
Cleaning the siphon and the compartment channel

Liquid starch results in clogging. The siphon in the   compartment no longer works and the compartment can overflow.

Clean the siphon particularly thoroughly after using liquid starch a few times.

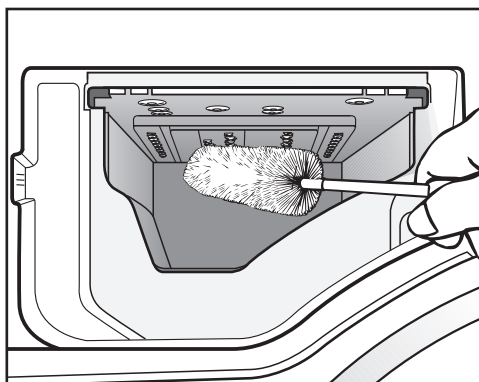


1. Remove the siphon from the  compartment and clean under warm running water. Clean the siphon tube in the same way.
2. Refit the siphon.



- Clean the fabric softener channel with a brush and warm water.

Cleaning the detergent dispenser drawer housing



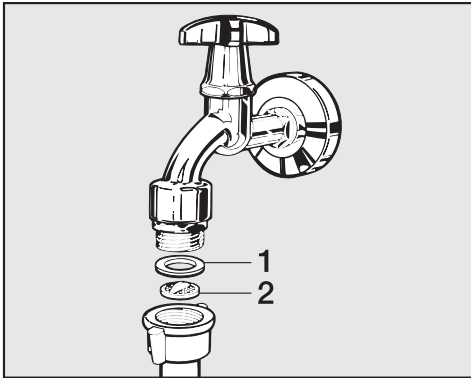
- Use a bottle brush to remove detergent residues and limescale from the jets inside the detergent dispenser drawer housing.

Cleaning the water inlet filter

The washing machine has two filters to protect the inlet valve. You should inspect the filters approximately every six months, or more often if there are frequent interruptions to the external water supply.

Cleaning the filter in the inlet hose

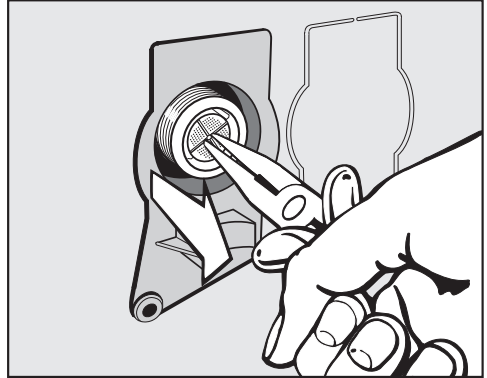
- First turn off the faucet.
- Unscrew the inlet hose from the faucet.



- Remove the rubber seal **1** from the connector.
- Using needle nose pliers, take hold of the plastic filter bar **2** and remove it.
- Clean the filter.
- Reassemble the appliance in reverse order.

Cleaning the filter in the inlet valve

- Using pliers, carefully loosen the ribbed plastic nut on the inlet valve and unscrew.



- Use needle nose pliers to withdraw the filter by the bar.
- Clean the filter.
- Reassemble the appliance in reverse order.

After cleaning, turn the faucet slowly and make sure the screw connections are watertight. If water leaks, tighten the screw connections.


The filters **must** be put back in place after cleaning.

Frequently asked questions

Problem solving guide

With the help of the following guide, minor faults in the performance of the appliance, some of which may result from incorrect operation, can be put right without contacting Miele Service. This will save time and money.

The following guide may help you to find the reason for a fault, and to correct it. You should, however, note the following:




 Repairs and other work by unqualified persons could be dangerous. The manufacturer cannot be held responsible for unauthorized work.
Repair work to electrical appliances must only be carried out by a suitably qualified and competent person in strict accordance with current local and national safety codes.

A wash program cannot be started

Problem	Possible cause and solution
The control field remains dark.	There is no power to the machine. <ul style="list-style-type: none">■ Check whether the plug is plugged in.■ Check whether the fuse has tripped.
	The washing machine has switched off automatically to save energy. <ul style="list-style-type: none">■ Switch the washing machine on again by turning the program selector.
F and 34 appear alternately on the time display.	The door is not closed properly. The door lock could not engage. <ul style="list-style-type: none">■ Close the door again.■ Start the program again. If the fault message appears again, contact Technical Service.

Frequently asked questions

The program is canceled and a fault indicator light lights up on the control field



Problem	Possible cause and solution
<p>The fault indicator light  lights up, <i>F</i> and <i>10</i> appear alternately on the time display, and the buzzer sounds.</p>	<p>The water intake is blocked or restricted.</p> <ul style="list-style-type: none"> ■ Check whether the water supply is turned on properly. ■ Check whether the intake hose is kinked. ■ Check whether there is sufficient water pressure.
	<p>The filter in the water intake is blocked.</p> <ul style="list-style-type: none"> ■ Clean the filter.
<p>The fault indicator light  lights up, <i>F</i> and <i>//</i> appear alternately on the time display, and the buzzer sounds.</p>	<p>The drain is blocked or restricted. The drain hose has been fixed too high.</p> <ul style="list-style-type: none"> ■ Clean the filter and the pump. ■ The maximum drain height is 1 m.
<p>The fault indicator light  lights up, <i>F</i> and <i>138</i> appear alternately on the time display, and the buzzer sounds.</p>	<p>The water protection system has reacted.</p> <ul style="list-style-type: none"> ■ Close the water supply. ■ Contact Technical Service.
<p><i>F</i> and <i>XXX</i> appear alternately on the time display and the buzzer sounds.</p>	<p>There is a fault.</p> <ul style="list-style-type: none"> ■ Disconnect the washing machine from the power supply, either by unplugging the machine or by disconnecting it at the fuse. ■ Wait at least 2 minutes before reconnecting the washing machine to the electricity supply. ■ Then switch the washing machine on again. ■ Restart the program. If the fault message appears again, contact Technical Service.

Frequently asked questions


During the program, a symbol appears on the time display

Message	Possible cause and solution
-U- lights up.	The program selector was moved to a different position after the program had started. <ul style="list-style-type: none">■ Turn the program selector back to the original position.
	The program has been interrupted. <ul style="list-style-type: none">■ Open the door.■ Close the door.

At the end of the program, an indicator light lights up on the control field




Problem	Possible cause and solution
The indicator light  lights up.	Excessive foam has built up during washing. <ul style="list-style-type: none">■ Use less detergent next time and follow the manufacturer's instructions on dosage given on the packaging.
The indicator light  lights up.	A wash program using a temperature above 140°F (60°C) has not been run for a long period of time. <ul style="list-style-type: none">■ In order to prevent bacteria and unpleasant odors building up in the machine, run the <i>Sanitize</i> program using Miele washing machine cleaner or universal powder detergent.

General problems with the washer

Problem	Possible cause and solution
<p>The washing machine is emitting an odor.</p>	<p>The indicator light  was ignored. A wash program using a temperature above 140°F (60°C) has not been run for a long period of time.</p> <ul style="list-style-type: none"> ■ In order to prevent bacteria and unpleasant odors building up in the machine, run the <i>Sanitize</i> program using Miele washing machine cleaner or universal powder detergent.
	<p>The door and detergent dispenser drawer were closed after washing.</p> <ul style="list-style-type: none"> ■ Leave the door and the detergent dispenser drawer slightly open to allow them to dry.
<p>The washer shakes during the spin cycle.</p>	<p>The four feet are not resting evenly on the floor.</p> <ul style="list-style-type: none"> ■ Level the machine (see “Leveling the washer”).
<p>The laundry has not been spun properly and the laundry is still wet.</p>	<p>The machine detected an imbalance during the final spin and reduced the spin speed automatically.</p> <ul style="list-style-type: none"> ■ Wash large and small items together in order to achieve a more even load distribution.
<p>There are unusual sounds coming from the drain pump.</p>	<p>There is no fault! Lapping sounds at the beginning and end of the drain process are normal.</p>
<p>Large amounts of detergent residue remain in the detergent dispensing drawer.</p>	<p>The water pressure is too low.</p> <ul style="list-style-type: none"> ■ Clean the filter in the water intake. ■ Please note that the water pressure must be at least 14.5 psi (100 kPa).
	<p>Powder detergent used in conjunction with water softeners tends to become sticky.</p> <ul style="list-style-type: none"> ■ Clean the detergent dispenser drawer and in future, add detergent first and then the water softener.


Frequently asked questions

General problems with the washing machine

Problem	Possible cause and solution
The fabric softener is not completely dispensed or too much water remains in the compartment. 	The siphon tube is either positioned incorrectly or clogged. ■ Clean the siphon tube, see “Cleaning and care - Cleaning the detergent drawer”.
At the end of the program there is still liquid in the capsule.	The small pipe in the detergent dispenser drawer onto which the capsule is placed is blocked. ■ Clean the small pipe. <hr/> Not a fault. For technical reasons, a small amount of water will remain in the capsule.
There is water next to the capsule in the fabric softener compartment.	The <i>Cap</i> sensor button  was not activated or an empty capsule was not removed at the end of the last wash cycle. ■ Make sure that you remember to activate the <i>Cap</i>  sensor button the next time you insert a capsule. ■ Remove and then dispose of the empty capsule at the end of each wash cycle. <hr/> The small pipe in the detergent dispenser drawer onto which the capsule is placed is blocked. ■ Clean the small pipe.

Frequently asked questions

Poor wash results

Problem	Possible cause and solution
Liquid detergent is not achieving the required results.	<p>Liquid detergents do not usually contain bleaching agents. Consequently, fruit, coffee, and tea stains cannot always be removed.</p> <ul style="list-style-type: none">■ Use powder detergent containing a bleaching agent.■ Use the appropriate capsule or add stain removers to the  compartment.■ Never put stain removers and liquid detergent together in the detergent dispenser drawer.
Gray, greasy particles cling to washed laundry.	<p>Insufficient amounts of detergent were used. The laundry was heavily soiled with grease (oils, ointments).</p> <ul style="list-style-type: none">■ Use more detergent or use liquid detergent with this type of soiled laundry.■ Before washing the next load, run a Normal 60°C program with liquid detergent but without a load.
White residues which look like powder detergent are seen on dark textiles after washing.	<p>The detergent contained compounds (zeolites) to aid water softening which are not soluble in water. These have ended up on the laundry.</p> <ul style="list-style-type: none">■ Try and brush off the residues with a soft brush once the laundry is dry.■ In the future, wash dark textiles using a detergent which contains no zeolites. Liquid detergents do not usually contain zeolites.■ Use the <i>Darks/Denim</i> program to wash the textiles.

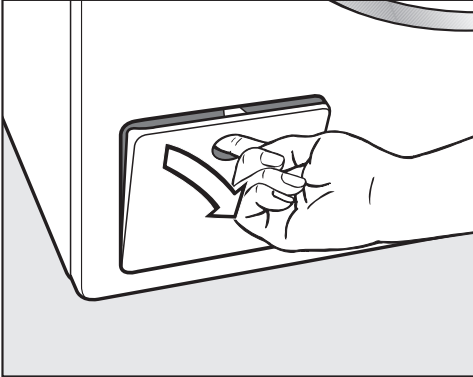
Frequently asked questions

The drum door cannot be opened

Problem	Possible cause and solution
<p>The door cannot be pulled open during a program.</p>	<p>The drum is locked during a program.</p> <ul style="list-style-type: none"> ■ Touch the <i>Start/Stop</i> sensor button to cancel the program. <p>The program is canceled, the door will unlock, and you will be able to pull it open.</p> <hr/> <p>There is still water in the drum and the machine is unable to drain.</p> <ul style="list-style-type: none"> ■ Clean the drain filter and the drain pump as described in “Opening the door in the event of a blocked drain outlet and/or power outage”.
<p>After the program is canceled, flashing bars <i>L L J J ... L L J J ... L L J J ...</i> appear on the time display.</p>	<p>To protect the user against scalding, the door cannot be opened if the suds temperature is higher than 130°F (55°C).</p> <ul style="list-style-type: none"> ■ Wait until the temperature in the drum has decreased and the bars have stopped flashing on the time display.
<p><i>F</i> and <i>35</i> appear alternately on the time display.</p>	<p>The door lock has jammed.</p> <ul style="list-style-type: none"> ■ Contact Technical Service.

Opening the door in the event of a blocked drain outlet and/or power outage


- Turn off the washing machine.



- Open the drain pump flap.

Blocked drain outlet

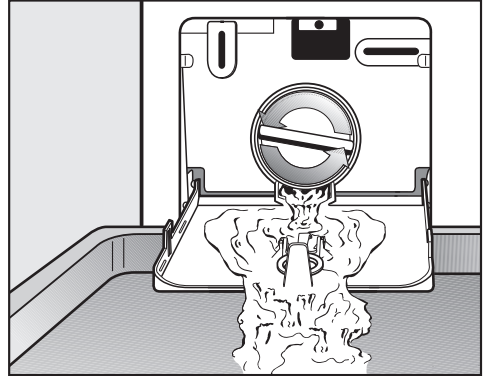
If the drain outlet is blocked, a larger quantity of water can remain in the washing machine.

 Risk of scalding due to hot suds. Escaping suds will be hot if laundry has been washed at high temperatures. Carefully allow all suds to drain off.

Draining the washing machine

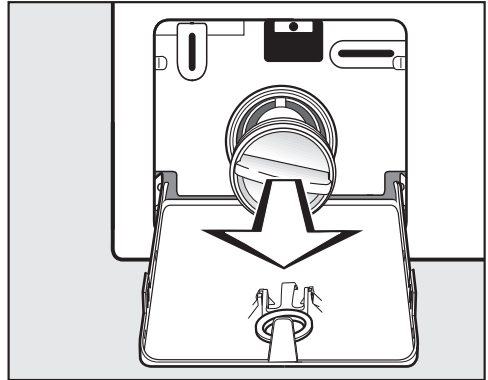
Remove the drain filter, though not completely.

- Place a suitable container under the flap, e.g., a bowl or dish.



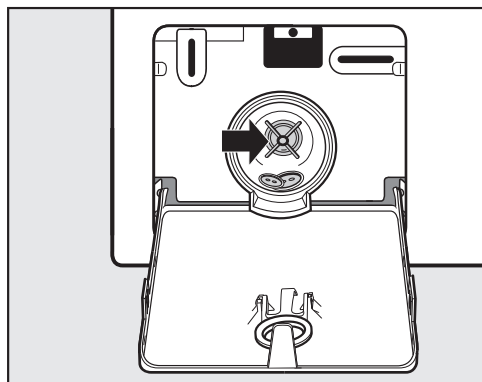
- Slowly unscrew the drain filter to let the water out.
- Tighten the drain filter back up again if you need to interrupt the flow of water.

Once the flow of water stops:



- Remove the drain filter completely.

Frequently asked questions



- Clean the drain filter thoroughly.
- Remove any foreign objects (e.g., buttons, coins, etc.) and clean the interior. Turn the impellers by hand to check that they rotate freely.
- Replace the drain filter correctly and tighten it securely.
- Close the drain pump flap.



Risk of water damage

Make sure the drain filter is securely tightened. Otherwise there is a risk of water leakage during use.

Replace the drain filter correctly and tighten it securely.

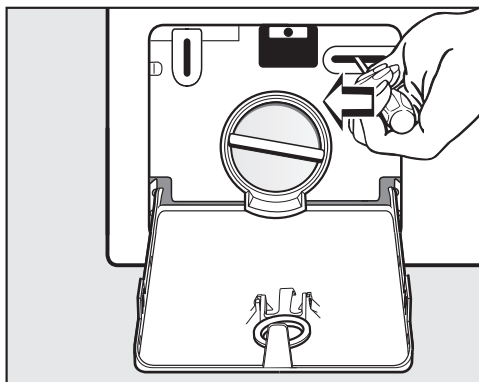
Opening the door



Danger of injury due to rotating drum.

Reaching into a rotating drum is extremely dangerous and may result in injury.

Always make sure that the drum is stationary before reaching in to remove laundry.



- Use a screwdriver to unlock the door.
- Pull open the door.

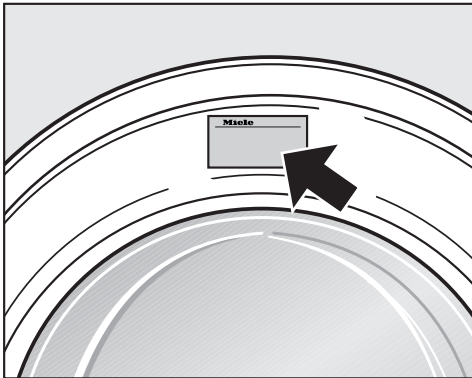
Contact in case of fault

In the event of a fault which you cannot remedy yourself, please contact your Miele dealer or Miele Technical Service.

Contact information for Miele Technical Service can be found at the end of this document.

Please quote the model and serial number of your appliance when contacting Miele. Both pieces of information can be found on the data plate.

The data plate is found above the port-hole glass when the door is opened.



Optional accessories

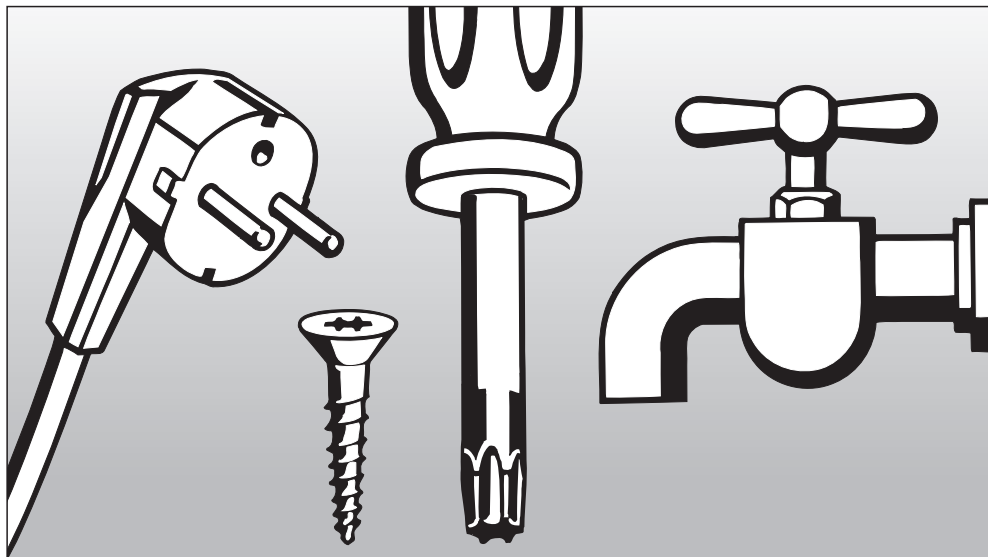
Optional accessories are available through your Miele dealer or Miele.

Warranty

For further information, please refer to your warranty booklet.



Installation instructions



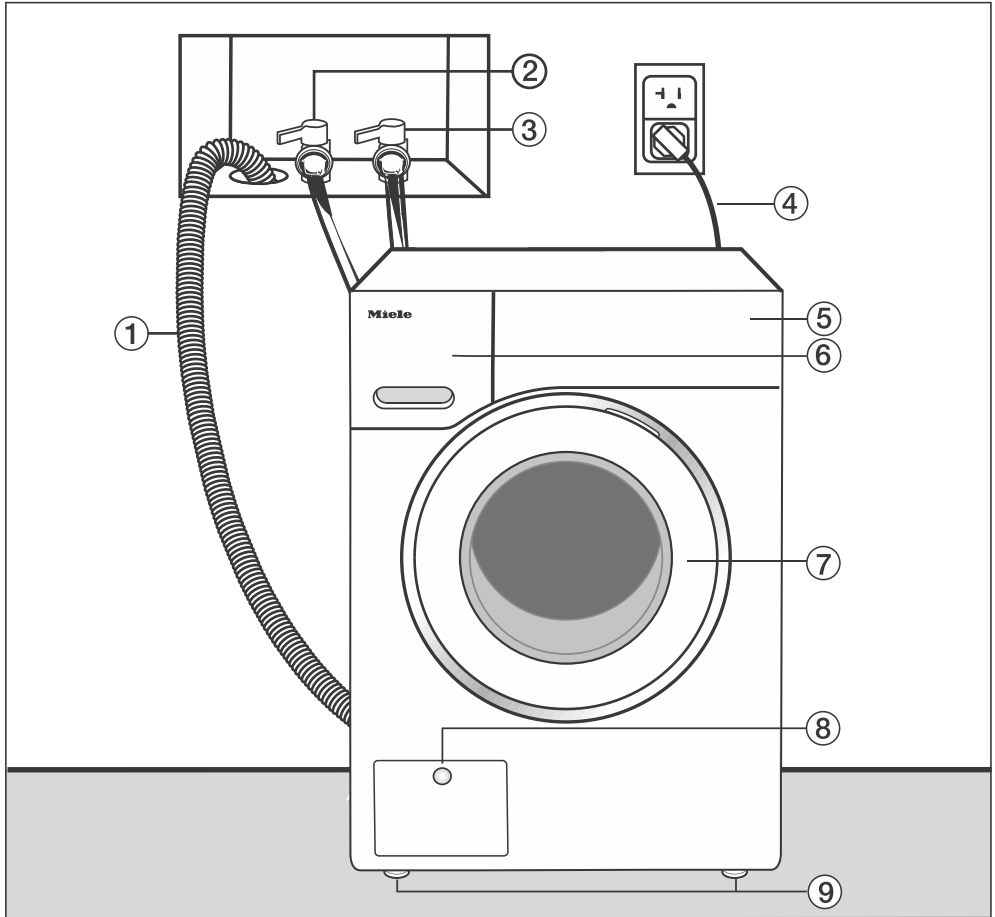
Alteration rights reserved.

Visit our website for all the current product specifications, technical appliance information, and warranty information.

To avoid accidents or damage to the appliance, please read these instructions before installing and/or using it.

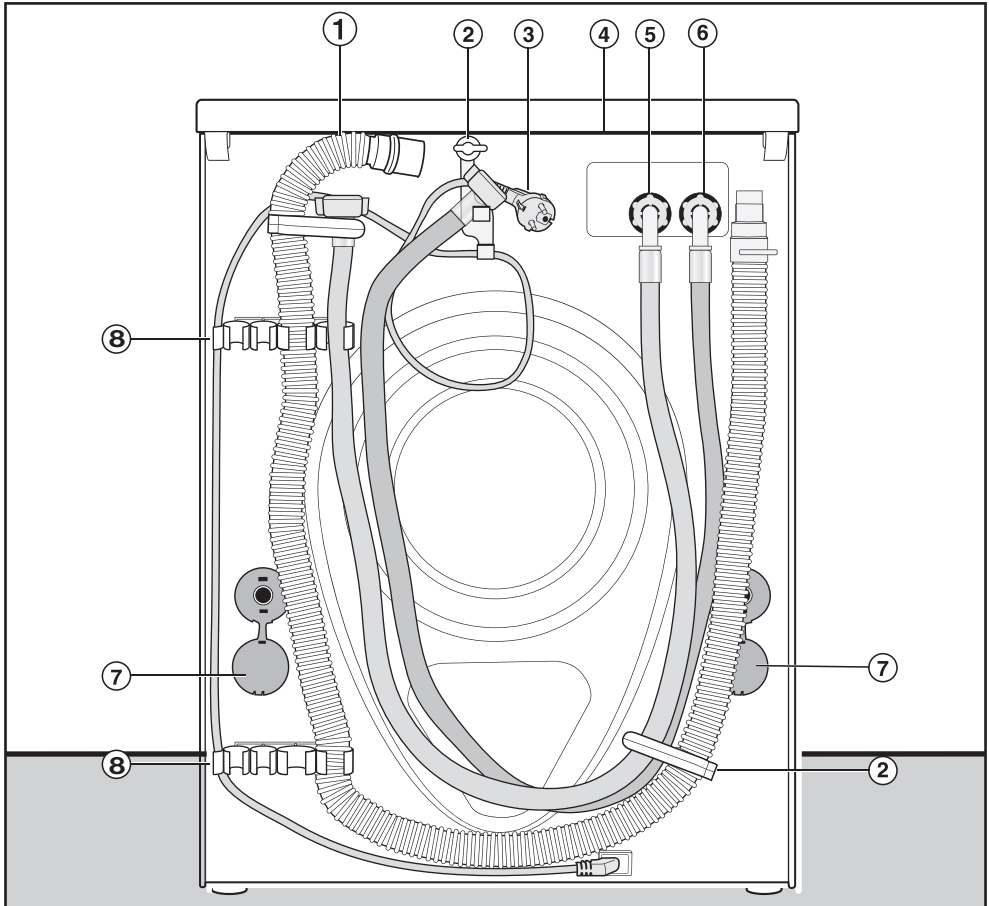
Installation

Front view



- ① Drain hose
- ② Hot-water inlet hose (pressure-proof to 1,015 psi/7,000 kPa)
- ③ Cold-water inlet hose (pressure-proof to 1,015 psi/7,000 kPa)
- ④ Electrical connection
- ⑤ Control panel
- ⑥ Detergent dispenser drawer
- ⑦ Door
- ⑧ Flap for drain filters, drain pump, and emergency release
- ⑨ Four height-adjustable feet

Rear view



- ① Drain hose
- ② Transport clips for inlet and drain hoses and power cord
- ③ Electrical connection
- ④ Protruding lid for holding when moving the machine
- ⑤ Cold-water inlet hose (pressure-proof to 1,015 psi/7,000 kPa)
- ⑥ Hot-water inlet hose (pressure-proof to 1,015 psi/7,000 kPa)
- ⑦ Safety caps for shipping struts
- ⑧ Transport clips for inlet and drain hoses and for storing shipping struts when not in use

Installation

Installation surface

A concrete floor is the most suitable installation surface for this machine. It is far less prone to vibration during the spin cycle than wooden floorboards or a carpeted surface.

Please note:

- The machine must be level and securely positioned.
- To avoid vibrations during spinning, the machine should not be installed on soft floor coverings.

If installing on a wooden joist floor:

- Install the unit on a 2 ft. x 2 ft. x 1 ³/₁₆" (61 x 61 x 3 cm) plywood base. Ideally the base should be large enough to span several joists and should be anchored to the joists and not just the floor boards.

Tip: If possible, install the machine in a corner. This is usually the most stable part of the floor.

⚠ Injury can occur if the washing machine has not been adequately secured.

During installation, the washing machine must be secured on a raised plinth to be made available on site (concrete or brick), in order to ensure it cannot fall or slip.

Secure the washing machine using a clamp/fastening bracket (MTS floor mounting kit – available from your Miele dealer or Miele Technical Service).

Transporting the washing machine to its installation site

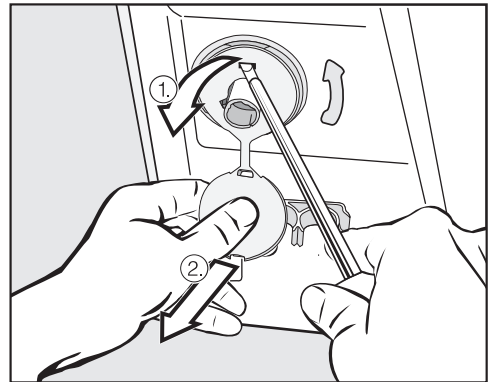
⚠ Danger of injury due to unsecure lid.

The fixings at the back of the lid may become brittle due to external circumstances. There is a danger of the lid being pulled off when carrying the appliance.

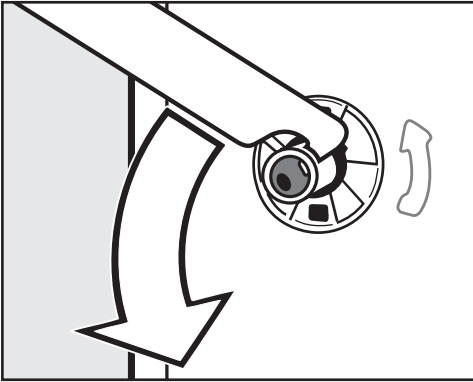
Before carrying the appliance, check that the lid is secure where it protrudes at the back of the appliance.

- Carry the washing machine by the front feet and by the lid where it protrudes at the back of the appliance.

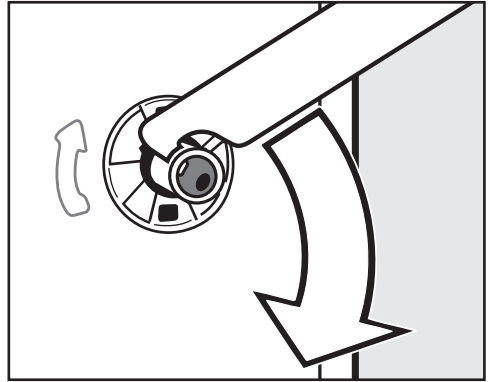
Removing the shipping struts



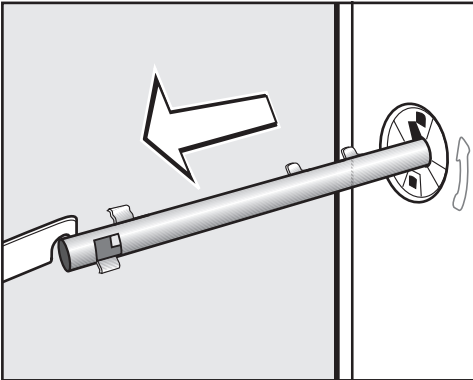
- Remove the left and right covers.
 1. Pull off the shipping strut covers and
 2. then use a screwdriver to release the catches at the top and bottom.



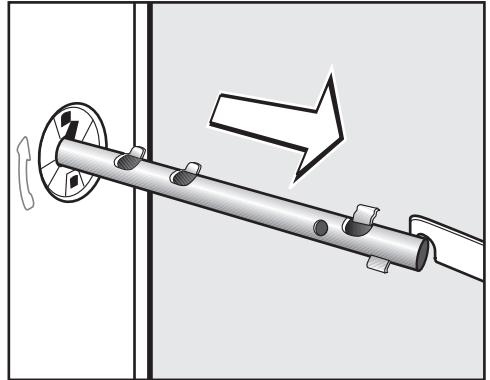
- Using the wrench supplied, turn the left-hand shipping strut 90°, then



- Turn the right-hand shipping strut 90°, then



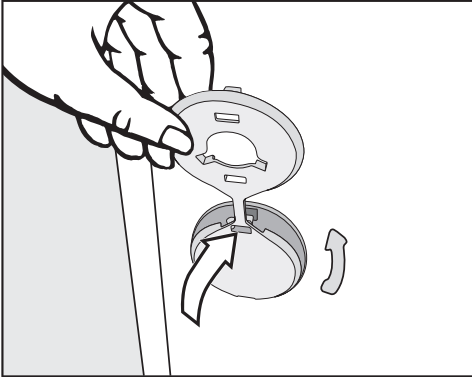
- withdraw the shipping strut.



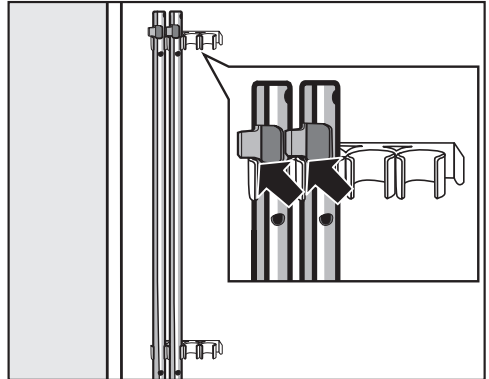
- withdraw the shipping strut.

Installation

⚠ Risk of injury from sharp edges.
There is a risk of injury from reaching into holes that are not covered.
Cover the holes for the shipping struts after they have been removed.



- Fit the covers onto the holes.



- Secure the shipping struts to the back of the washing machine. Make sure that the top catch is located above the holder.

⚠ Risk of damage from incorrect transport.

The washing machine may become damaged if moved without the shipping struts in place.

Keep the struts in a safe place. Fit them again if the machine is to be moved (e.g., when moving house).

Refitting the shipping struts

Refitting is carried out by reversing the procedure.

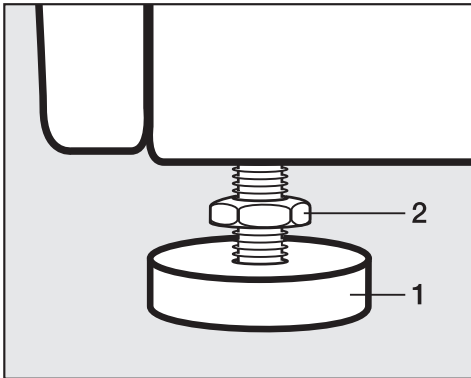
Leveling the machine

The washing machine must stand perfectly level on all four feet to ensure safe and proper operation.

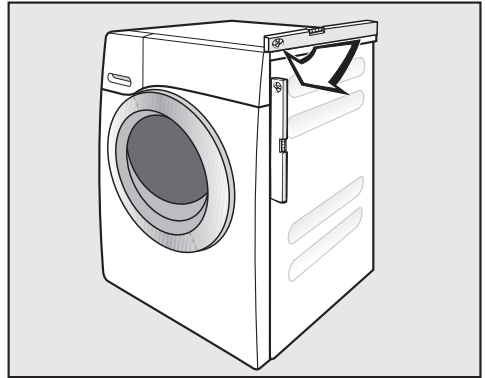
Incorrect installation may increase electric and water consumption and may cause the machine to move about.

Unscrewing and adjusting the feet

The four adjustable screw feet are used to level the washing machine. All four feet are screwed in when the machine is delivered.



- Using the wrench supplied, turn counter nut **2** in a clockwise direction. Then turn counter nut **2** together with foot **1** to unscrew.



- Use a spirit level to check that the washing machine is standing level.
- Hold foot **1** securely with a pipe wrench. Turn counter nut **2** again using the wrench supplied until it sits firmly up against the housing.



Risk of damage due to incorrectly aligned washing machine.

There is a danger of the washing machine moving about if the feet are not secured.

Turn all four counter nuts for the feet until they sit firmly up against the housing. Please also check this for the feet which did not need adjustment.

Installation

Additional installation requirements

The washing machine must be installed in accordance with the relevant local regulations.

⚠ Damage resulting from failure to remove the transit bars.

Failure to remove the shipping struts can result in damage to the washing machine and to adjacent cabinetry or appliances.

Remove the shipping struts as described in “Installation and connection”.

Installing under a countertop

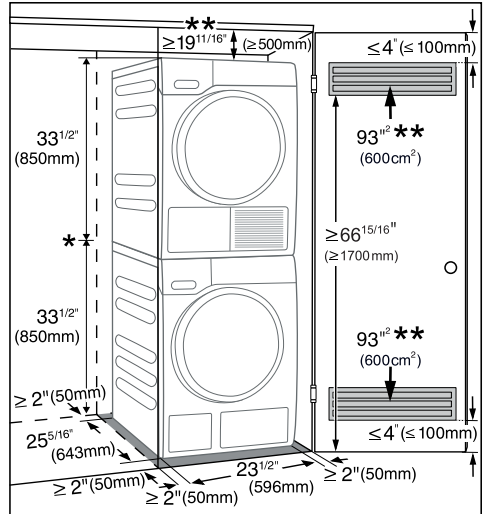
⚠ Risk of electric shock due to exposed cables

There is a risk of coming into contact with live parts while the lid is removed.

Do not remove the washing machine lid.

This washing machine (with lid intact) can be pushed under a worktop if there is space to do so.

Setting up the cabinet



* Height with Stacking Kit
 WTV502 = $67 \frac{3}{8}$ " (1711 mm)
 WTV512 = $71 \frac{1}{8}$ " (1806 mm)

** If it is not possible to fulfill the dimension specification you may have longer drying and process time.

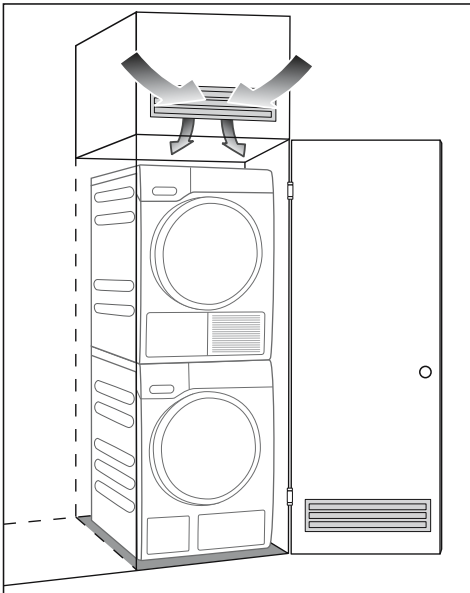
For closets at room height

You can also insert a ventilation opening at the top of the closet. In addition, you must provide an opening on the bottom side of the door.

⚠ Risk of damage due to overheating of the washing machine.

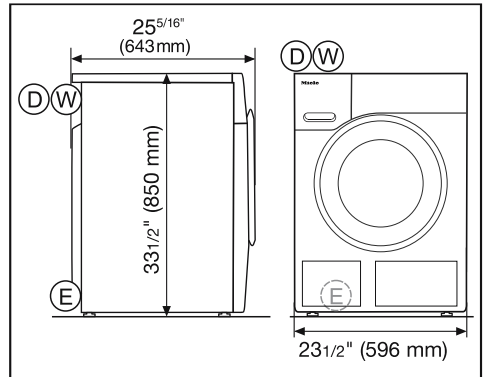
The air supply must not be hindered by an additional closet or shelf.

Please ensure that air is able to circulate freely at the top of the closet.



Product Dimensions

Dimensions

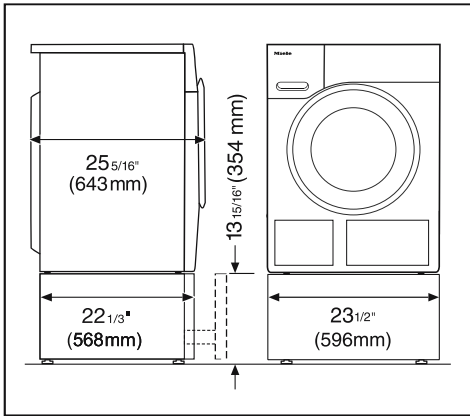


- ⓓ = 4.9 ft (1.50 m) drain hose with connection to the top left on the rear
- ⓔ = 6.5 ft (2.00 m) electrical cord with plug for 120 V, 15 A (NEMA 5-15 configuration) to the top left on the rear
- Ⓦ = 5.2 ft (1.60 m) warm and cold-water intake hoses to the top left on the rear

Installation

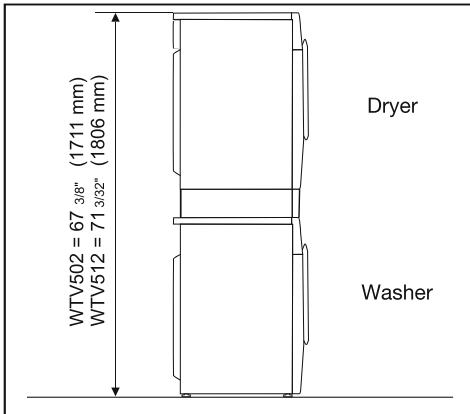
Installation on a plinth

- WTS 510 (only available in white)



Washer-dryer stack

- WTV 512 and WTV 502 washer-dryer stacking kit



The water protection system

The Miele water protection system protects all parts of the washing machine and its surroundings from water damage.

The system consists of the following main components:

- the inlet hose
- the electronic module and drainage and overflow protection
- the drain hose

Inlet hoses

- Protection against the hoses bursting

The inlet hose can withstand pressure of more than 1,015 psi (7,000 kPa).

Electronic module and washing machine housing

- Sump: Any leaking water is collected in a sump in the base of the machine. A float switches off the water inlet valves, preventing any more water from flowing into the machine and water in the suds container is pumped away.
- Overflow protection: This prevents the washing machine taking in too much water. If the water level exceeds a certain level, the drain pump switches on and pumps the excess water away in a controlled way.

Drain hose


The drain hose is protected by a ventilation system which prevents the washing machine from being emptied completely.

Installation

Water intake

Maintenance

Only use a genuine Miele hose that has been tested to withstand pressure of at least 1,015 psi (7,000 kPa) should you ever need a replacement.

 A filter is located in the open end of the inlet hose and another in the intake point to protect the inlet valve. Neither filter may be removed.

Water drainage

The suds are drained through a drain pump with a 3.2 ft (1 m) delivery head. For the water to drain freely, the hose must be installed free of kinks.

If required, the hose can be extended to a length of up to 16.4 ft (5 m). Accessories are available from your Miele dealer or the Miele Technical Service.

Drainage options:

1. Direct into a sink or basin:

Please note:

- Hook the hose over the edge and secure!
- If the water is pumped into a sink, be sure that it can drain away quickly enough. Otherwise there is a risk of water overflowing or of some of the drained water being sucked back into the machine.

2. Connected securely to a plastic drain pipe with a rubber nipple (there is no need to use a non-return valve).

3. Connected securely to a floor drain.

4. Connected securely to a sink with a plastic nipple.

Installation

Electrical connection

GROUNDING INSTRUCTIONS

This appliance must be grounded. In the event of a malfunction or breakdown, grounding will reduce the risk of electric shock by providing a path of least resistance for electric current. This appliance is equipped with a cord having an equipment-grounding conductor and a grounding plug. The plug must be plugged into an appropriate outlet that is properly installed and grounded in accordance with all local codes and ordinances.

WARNING – Improper connection of the equipment-grounding conductor can result in a risk of electric shock. Check with a qualified electrician or service representative if you are in doubt as to whether the appliance is properly grounded.

Do not modify the plug provided with the appliance; if it will not fit the outlet, have a proper outlet installed by a qualified electrician.

ELECTRICAL INSTRUCTIONS

This installation should be performed by an experienced and qualified technician, in accordance with local codes and regulations.

The washing machine is supplied with a 5' 3" (1.6 m) long, 3 wire cord, ending in a NEMA 5-15P plug, ready for connection to a 120 V, 15 A, 60 Hz, AC power supply.

The proper outlet can be purchased from an electrical supply dealer.

Technical data

Height	33 7/16" (850 mm)
Width	23 7/16" (596 mm)
Depth	25 1/16" (636 mm)
Depth with door open	41 1/2" (1054 mm)
Height for building under	32 5/16" (+5/16"/-1/16") (820 mm)
Width for building under	23 5/8" (600 mm)
Weight	Approx. 220.5 lb (100 kg)
Capacity	17.6 lb (8 kg) dry laundry
Connection voltage	See data plate
Power rating	See data plate
Fuse	See data plate
Consumption data	See "Consumption data"
Minimum flow pressure	14.5 psi (100 kPa)
Maximum flow pressure	145 psi (1,000 kPa)
Water inlet hose length	5.2 ft (1.60 m)
Drain hose length	4.9 ft (1.50 m)
Power cord length	6.5 ft (2.00 m)
Maximum drain pump head height	3.2 ft (1.00 m)
Maximum drain hose length	16.4 ft (5.00 m)
LEDs	Class 1
Test certificates awarded	See data plate
Power consumption when switched off	0.3 W
Power consumption when not switched off	0.3 W

Programmable functions

The programmable functions are used to alter the machine's electronics to suit changing requirements. Programmable functions can be altered at any time.

Programming is carried out in 8 steps (1, 2, 3 ... 8) using the sensor buttons.

Accessing the programming level

Before you begin, ensure the following:

- The washing machine is switched on (the program selector is pointing to a wash program).
 - The washing machine door is open.
- 1 Touch the *Start/Stop* sensor button and hold it down during steps 2–3.

- 2 Close the washing machine door.

Wait until the *Start/Stop* sensor button lights up constantly...

- 3 ...and then release the *Start/Stop* sensor button.

After approximately 4 seconds, *P13* will light up on the time display.

Choosing and selecting programmable functions

The number of the programmable function will appear on the time display as *P* and a number: e.g., *P12*.

- 4 Touch the > or < sensor button to scroll to the next or previous programmable function:

Programmable functions

<i>P12</i>	Buzzer
<i>P13</i>	Keypad tone
<i>P14</i>	PIN code
<i>P22</i>	Control field switch-off status
<i>P24</i>	Memory
<i>P25</i>	Water intake
<i>P26</i>	Additional long pre-wash – Normal
<i>P28</i>	Gentle action
<i>P29</i>	Reduce temperature
<i>P32</i>	Maximum rinse level
<i>P33</i>	Suds cooling
<i>P34</i>	Anti-crease
<i>P49</i>	Low water pressure
<i>P55</i>	Chlorine bleach
<i>P62</i>	Display brightness dimmed
<i>P63</i>	Welcome tone volume

- 5 Confirm the selected programmable function by touching the *Start/Stop* sensor button.

Editing and saving the programmable function

You can either switch a programmable function on/off or select different options.

- ⑥ Touch the > or < sensor button to switch the programmable function on/off or to select an option:

Programmable function	Available options					
	-00	-01	-02	-03	-04	-05 - -07
	P12	X	X	O		
P13	X	O	X			
P14	O	X				
P22	X	O				
P24	O	X				
P25		X	O			
P26	O	X	X	X		
P28	O	X				
P29	O	X				
P32	O	X				
P33	O	X				
P34	X	O				
P49	O	X				
P55	O	X				
P62		X	X	O	X	X
P63	X	O	X			

X = can be selected

O = Factory setting

- ⑦ Confirm the chosen selection with the *Start/Stop* sensor button.

The number of the programmable function, e.g., P13, will then light up again.

Exiting the programming level

- ⑧ Turn the program selector to ⏻.

The setting you have selected are now stored in the memory. You can alter the settings again at any time.

P12 Buzzer

The buzzer sounds to let you know the program has finished.

Options

- 00 = Buzzer is switched off
- 01 = Normal buzzer volume
- 02 = Loud buzzer volume
(factory setting)

P13 Keypad tone

Each touch of a sensor button is confirmed with an audible tone.

Options

- 00 = Keypad tone is switched off
- 01 = Keypad tone is switched on
(factory setting)

Programmable functions

P14 PIN code

The PIN code prevents the washing machine being used without your knowledge.

When the PIN code has been activated, you have to enter it after switching the washing machine on. Otherwise, the washing machine cannot be operated.

Options

-00 = PIN code is switched off (**factory setting**)

-01 = PIN code is switched on

Using the washing machine with a PIN code

The code is **125** and cannot be altered.

■ Switch on the washing machine.

___ appears on the time display and the > and < sensor buttons light up.

■ Touch the > sensor button.

! __ appears on the time display.

■ Confirm the number with the *Start/Stop* sensor button.

The first number has been saved and you can now enter the second number using the > and < sensor buttons.

■ Enter the second and third numbers and confirm the numbers with the *Start/Stop* sensor button.

The lock is released and a wash program can now be selected and started.

P22 Control field switch-off status

To save energy, the time display and sensor buttons will go out after 10 minutes, and only the *Start/Stop* sensor button will flash.

Options

-00 = Off

The time display and sensor buttons will remain lit up while the washing machine is switched on

-01 = On (**factory setting**)

The time display and sensor buttons will switch off after 10 minutes if the program is started.

However, the time display and sensor buttons will remain lit up for 10 minutes after a Delay Start time has elapsed, after the end of a program, or at the end of the Anti-crease phase.

P24 Memory

The washing machine will save the last settings (temperature, spin speed, and some of the extra options) selected for a wash program after the program has started.

When the program is chosen again, the saved settings will appear on the display.

Options

-00 = Memory is switched off (**factory setting**)

-01 = Memory is switched on

P25 Water intake

You can program 2 options for the water intake. The water intake is controlled by the two intake hoses.


Options

-01 = Cold water

The washing machine will be operated with cold water only.

-02 = Hot water (**factory setting**)

Hot water is used in the main wash.

 Risk of damage from incorrect water connection.

Connection to a hot water supply only is not permitted. When being operated with hot water, the washing machine always requires a cold water connection as well in order to control the temperature of the water used for washing the laundry.

The washing machine must always be connected to cold water.

Programmable functions

P26 Additional long pre-wash – Normal

If you require a longer pre-wash, you can extend the pre-wash time.

Options

- 00 = **No** increase in the pre-wash time (**factory setting**)
- 01 = **+ 6 minutes** increase in the pre-wash time
- 02 = **+ 9 minutes** increase in the pre-wash time
- 03 = **+ 12 minutes** increase in the pre-wash time

P28 Gentle action

When Gentle action is activated, drum rotation is reduced. In this way, lightly soiled items can be washed more gently.

Gentle action can be activated for the *Normal* and *Wrinkle-free* programs.

Options

- 00 = Gentle action is switched off (**factory setting**)
- 01 = Gentle action is switched on

P29 Reducing the temperature

At high altitudes, water has a lower boiling point. Miele recommends switching on the reduce temperature setting at altitudes of 6,560 ft (2,000 m) or above to prevent water from boiling. The maximum temperature is reduced to 176°F (80°C), even if a higher temperature has been selected.

Options

- 00 = The reduce temperature setting is switched off (**factory setting**)
- 01 = The reduce temperature setting is switched on

P32 Maximum rinse level

The water level in the rinse can be permanently set to the highest value.

This function is important for allergy sufferers as it achieves excellent wash results. The water consumption will be increased.

Options

- 00 = Maximum rinse level is switched off (**factory setting**)
- 01 = Maximum rinse level is switched on

P33 Suds cooling

Additional water flows into the drum at the end of the main wash to cool the suds down.

Suds cooling takes place when a Normal program with a temperature of 158°F (70°C) or higher is selected.

Suds cooling should be activated:

- To prevent the danger of scalding if the drain hose is hooked over the edge of a sink or basin.
- Where the drainage pipes do not comply with DIN 1986.

Options

- 00 = Suds cooling is switched off (**factory setting**)
- 01 = Suds cooling is switched on

P34 Anti-crease

The Anti-crease function helps prevent creasing after the end of the program.

At the end of the program, the drum continues to turn for up to 30 minutes. The door can be opened at any time during the Anti-crease phase.

Options

- 00 = The Anti-crease function is switched off
- 01 = The Anti-crease function is switched on (**factory setting**)

P49 Low water pressure

If the water pressure is below 100 kPa (1 bar), the program will be canceled and the fault message $\text{E}3$ will appear.

If the water pressure cannot be increased, activating this function will prevent the program from being canceled.

Options

- 00 = Low water pressure is switched off (**factory setting**)
- 01 = Low water pressure is switched on

Programmable functions

P55 Chlorine bleach

You can activate the automatic addition of chlorine bleach at the end of the main wash.

Chlorine bleach may only be used in some programs. See “5. Adding detergent – Using chlorine bleach” for more detailed information.

Activating chlorine bleach extends the program duration by approximately 10 minutes.

Options

- 00 = Chlorine bleach is switched off **(factory setting)**
- 01 = Chlorine bleach is switched on

P62 Display brightness dimmed

The brightness of the dimmed sensor buttons on the control field can be set to one of seven different levels.

The brightness will change as soon as a different setting is chosen.

Options

- 01 = Darkest level
- ↓
- 07 = Brightest level
- 03 = **(factory setting)**

P63 Welcome tone

The welcome tone sounds whenever the washing machine is switched on.

You can switch the welcome tone on or off.

Options

- 00 = Welcome tone is switched off
- 01 = Welcome tone is switched on at normal volume **(factory setting)**
- 02 = Welcome tone is switched on at loud volume

Detergent, fabric care products, additives, and machine care products are available for this washing machine. All the products have been designed for Miele washing machines.

These and many other useful products can be ordered via the Miele online shop, from your Miele dealer, or from Miele directly (see end of this manual for contact details).

Detergent

UltraWhite

- Multi-purpose powder detergent
- For white and light-colored laundry as well as heavily soiled cotton items
- Effective stain removal even at low temperatures


UltraColor

- Liquid detergent for colored items
- For colored and dark textiles
- Protects bright colors from fading
- Effective stain removal even at low temperatures

Wool and delicates detergent

- Liquid detergent for delicates
- Particularly suitable for woollen and silk textiles
- Cleans at temperatures as low as 70°F (20°C), helps retain the shape of delicate items and protect colors

Speciality detergents

Speciality detergents are available as capsules  in convenient single dose amounts or in a handy bottle.

Outdoor

- Liquid detergent for outdoor and performance clothing
- Cleans with care and is gentle on colors
- With lanolin to care for and condition membrane fabric

Sport


- Liquid detergent for sportswear and fleece garments
- Neutralizes unpleasant odors
- Retains the shape of the textiles

Downs


- Liquid detergent suitable for pillows, sleeping bags, and Down Filled Items
- Retains the elasticity of down and feather-filled items
- Retains the breathability of Down Filled Items
- Prevents down filling clumping together

Optional accessories


WoolCare

- Liquid detergent for Woolens and delicates
- Includes a special wheat protein conditioning formula
- Helps prevent pilling
- Gentle on colors
- Only available as capsules 

SilkCare

- Liquid detergent for silks
- Contains a special silk protein conditioning formula
- Gentle on colors
- Only available as capsules 

Fabric care

Fabric care agents are available as capsules  in convenient single dose amounts or in a handy bottle.

Proofing agent


- For reproofing microfiber textiles, e.g., rain coats
- Retains the breathability of textiles

Fabric softener

- Fresh, natural fragrance
- Makes laundry soft to handle

Additive

Booster

- For removing stains
- For white and colored laundry
- Available as capsules  in convenient single dose amounts

Machine care

Detergent

- For cleaning the washing machine thoroughly and effectively
- Removes grease, bacteria, and associated unpleasant odors
- Use 1–3 times per year

Descaling agent

- Removes heavy lime scale deposits
- Mild and gentle with natural citric acid

Water softener tablets

- Reduces quantities of detergent for hard water
- Less detergent residue in textiles
- Less chemicals in waste water due to reduced amount of detergent

Please have the model and serial number of your appliance available when contacting Technical Service.

The Miele logo consists of the word "Miele" in a bold, white, serif font, set against a solid black rectangular background.

U.S.A.

Miele, Inc.

National Headquarters

9 Independence Way
Princeton, NJ 08540
Phone: 800-843-7231
Fax: 609-419-4298
www.mieleusa.com

Technical Service & Support

Phone: 800-999-1360
Fax: 888-586-8056
TechnicalService@mieleusa.com

International Headquarters

Miele & Cie. KG
Carl-Miele-Straße 29
33332 Gütersloh
Germany

Canada

Importer
Miele Limited

Headquarters and Miele Centre

161 Four Valley Drive
Vaughan, ON L4K 4V8
www.miele.ca

Customer Care Centre

Phone: 800-565-6435
905-532-2272
customercare@miele.ca

WWB 020

en-US

M.-Nr. 10 980 030 / 02