

## Operating Instructions Heat-pump Dryer



It is **essential** to read these operating instructions before installing, starting up, and using the appliance. This prevents both personal injury and damage to the appliance.

# Contents

---

<b>Caring for the environment</b> .....	5
<b>IMPORTANT SAFETY INSTRUCTIONS</b> .....	6
<b>Operating the tumble dryer</b> .....	14
Control panel .....	14
How the display works .....	15
<b>Energy saving tips</b> .....	17
<b>Functioning of the heat-pump dryer</b> .....	18
<b>Initial set-up</b> .....	19
<b>1. Notes on correct laundry care</b> .....	20
Points to note regarding washed laundry .....	20
Preparing the laundry before drying .....	20
Drying .....	21
Understanding the care label symbols .....	21
Selecting the correct drying level .....	21
<b>2. Loading the tumble dryer</b> .....	22
Loading the laundry .....	22
<b>3. Selecting a program and starting it</b> .....	23
Selecting a program .....	23
Selecting drying levels during drying level programs .....	23
Time-controlled and other programs .....	24
Selecting Gentle .....	24
Selecting Delay Start .....	25
<b>4. Removing the laundry at the end of the program</b> .....	27
End of program/Anti-crease .....	27
Removing the laundry .....	27
<b>Program chart</b> .....	28
<b>Changing the program sequence</b> .....	31
<b>Condensed water container</b> .....	33
Emptying the condensed water container .....	33
<b>Fragrance flacon</b> .....	34
Using the fragrance flacon .....	34
Removing the protective seal from the fragrance flacon .....	34
Inserting the fragrance flacon .....	35

---

Opening the fragrance flacon .....	36
Closing the fragrance flacon .....	36
Removing/replacing the fragrance flacon .....	37
<b>Cleaning and care .....</b>	<b>38</b>
Lint filters .....	38
Removing the fragrance flacon .....	38
Removing visible lint .....	38
Cleaning the lint filters and air flow openings thoroughly .....	39
Cleaning the lint filters with water .....	40
Cleaning instructions when using fabric softener sheets .....	41
Cleaning the plinth filter .....	42
Removing the plinth filter .....	42
Cleaning the plinth filter .....	43
Cleaning the plinth filter flap .....	43
Checking the heat exchanger unit .....	44
Inserting the plinth filter .....	44
Cleaning the dryer .....	45
<b>Frequently Asked Questions .....</b>	<b>46</b>
Indicator lights or information on the time display .....	46
Unsatisfactory drying results .....	48
The drying cycle duration is very long .....	49
Other problems .....	50
<b>Customer Service .....</b>	<b>51</b>
Contact in the event of a fault .....	51
Appliance warranty and product registration .....	51
Optional accessories .....	51
<b>IMPORTANT SAFETY INSTRUCTIONS .....</b>	<b>53</b>
<b>Installation .....</b>	<b>55</b>
Front view .....	55
Rear view .....	56
Transporting the tumble dryer .....	56
Transporting the tumble dryer to its installation site .....	56
Installation .....	57
Leveling the tumble dryer .....	57
Ventilation .....	57
Before moving the tumble dryer again .....	57
Additional installation requirements .....	58

# Contents

---

Product dimensions .....	60
Dimensions.....	60
Installation on a plinth .....	60
Washer-dryer stack .....	60
Electrical connection .....	61
Connection adapter for NEMA 14-30 socket.....	61
External draining of condensed water.....	62
Arranging the drain hose .....	62
Condensate drain .....	62
Changing the door hinging.....	63
Changing the hinging over .....	63
Refitting .....	68
<b>Technical data</b> .....	<b>69</b>
<b>Programmable functions</b> .....	<b>70</b>
Programming .....	70
<i>P01</i> Drying levels “Normal” .....	72
<i>P02</i> Drying levels “Wrinkle-free” .....	72
<i>P05</i> Buzzer volume.....	72
<i>P06</i> Keypad tone .....	72
<i>P07</i> Code.....	73
<i>P08</i> Conductivity .....	73
<i>P11</i> Display switch-off status .....	74
<i>P12</i> Appliance switch-off.....	74
<i>P13</i> Memory.....	75
<i>P14</i> Anti-crease .....	75
<i>P19</i> Buzzer on.....	75
<i>P20</i> Airway indicator.....	76
<i>P23</i> Display brightness dimmed .....	76

### Disposal of the packing material

The cardboard box and packing materials protect the appliance during shipping. They have been designed to be biodegradable and recyclable.

Ensure that any plastic wrappings, bags, etc. are disposed of safely and kept out of the reach of children.  
Danger of suffocation!

### Disposal of your old appliance

Electrical and electronic appliances contain valuable materials. They also contain certain substances, compounds and components which were essential for the proper functioning and safe use of the equipment. Handling these materials improperly by disposing of them in your household waste can be harmful to your health and the environment. Therefore, please do not dispose of your old appliance with regular household waste and follow local regulations on proper disposal.



Consult with local authorities, dealers or Miele in order to dispose of and recycle electrical and electronic appliances. Miele assumes no responsibility for deleting any personal data left on the appliance being disposed. Please ensure that your old appliance is kept away from children until removal. Observe safety requirements for appliances that may tip over or pose an entrapment hazard.

## IMPORTANT SAFETY INSTRUCTIONS

---

### WARNING

To reduce the risk of fire, electric shock, or injury to persons when using your appliance, follow basic precautions, including the following:

### WARNING

This tumble dryer is intended for use in domestic households and similar working and residential environments.

- ▶ It is essential to read all instructions before using the appliance.
- ▶ Do not allow children to play on or in the appliance. Close supervision is necessary when the appliance is used near children. Always close the door after use to prevent child hazards.
- ▶ Before this appliance is removed for service or discarded, remove the door to the drying compartment.
- ▶ Do not install or use a dryer with visible damage.
- ▶ Do not reach into the dryer if the drum is moving.
- ▶ Do not install or store this appliance where it will be exposed to the weather.
- ▶ Do not tamper with the controls.
- ▶ Do not repair or replace any part of the appliance or attempt any servicing unless specifically recommended in these operating instructions. Repairs to electrical appliances should only be performed by qualified personnel. Incorrectly repaired machines may pose a considerable risk to the user.

## IMPORTANT SAFETY INSTRUCTIONS

► Important information regarding use of fabric softener sheets:

We do not recommend use of fabric softener sheets. Use of fabric softener sheets can clog the surfaces of the lint filters, extending the drying time and increasing energy consumption. During subsequent cleaning, the plastic and surfaces of the lint filters can be damaged!


The best results are obtained by using liquid fabric softener in the washing machine. Follow the manufacturer's instructions.

If you still wish to use fabric softener sheets, be sure to follow the cleaning instructions under “Cleaning and care” in the “Cleaning instructions when using fabric softener sheets” section.

Tip:

Using a fragrance flacon (optional accessory) will add a pleasant fragrance to your laundry.

When a fragrance flacon is used, the fragrance is acquired by the entire load of laundry. The disadvantage of fabric softener sheets is that under certain circumstances the fragrance is acquired by only a few items of laundry, especially when drying a full load.


 When you use a fragrance flacon, always follow the warnings in this section as well as those under “Fragrance flacon”.

## IMPORTANT SAFETY INSTRUCTIONS

---

► To prevent the risk of fire, the following textiles must not be dried in this dryer:

- items which have not been washed.
- items, such as work-wear, exposed to grease, oils, or other deposits (such as lotions or cosmetics) in your dryer. If these items have not been thoroughly cleaned there is a danger that they may contribute to a chemical reaction that could cause the laundry to ignite when heated even after being removed from the dryer.
- items that have been previously cleaned, washed, soaked or spotted with gasoline, dry-cleaning solvents or other flammable or explosive substances. They may give off vapors that could ignite or explode.
- items treated with flammable cleaning agents or items containing acetone, alcohol, petrol, stain remover, wax or chemicals from buffing, etc.
- items which have been splashed with hair spray, nail polish remover, etc.

 When washing heavily soiled items ensure that sufficient detergent is used with a high temperature. If in doubt wash the item several times.

- items containing foam rubber or similarly textured rubber-like materials.
- items with padding or filling (e.g. pillows or jackets) which have been damaged. Loose filling could catch fire.



## IMPORTANT SAFETY INSTRUCTIONS

---

▶ Allow the dryer to complete each stage of the program selected, including the cooling down phase. This will ensure that the items being removed are not too hot to handle.

▶ Clean the lint filter before or after each load.

▶ Keep the area around the air intake (toe kick) and adjacent surrounding areas free from lint, dust and dirt.

▶ The interior of the machine should be cleaned periodically by qualified personnel.

### ▶ GROUNDING INSTRUCTIONS

This appliance must be grounded. In the event of malfunction or breakdown, grounding will reduce the risk of electric shock by providing a path of least resistance for electric current. This appliance is equipped with a cord having an equipment grounding conductor and a grounding plug. The plug must be plugged into an appropriate outlet that is properly installed and grounded in accordance with all local codes and ordinances.

▶ **WARNING** – Improper connection of the equipment-grounding conductor can result in a risk of electric shock. Contact a qualified electrician if you are in doubt as to whether the appliance is properly grounded.

## IMPORTANT SAFETY INSTRUCTIONS

---

- ▶ Do not modify the plug provided with the appliance: if it will not fit the outlet, have a proper outlet installed by a qualified electrician.
- ▶ Before installation, disconnect the tumble dryer from the electrical supply by shutting off the power main, unplugging the power cord or tripping the circuit breaker. Do not restore power until the installation is complete.
- ▶ Miele tumble dryers and Miele washing machines can be installed as a washer-dryer stack. A Miele washer-dryer connection kit is required as an optional accessory for this. Please ensure that the washer-dryer connection kit is suitable for the Miele tumble dryer and the Miele washing machine.
- ▶ If you order a plinth for this tumble dryer (available from Miele as an optional accessory), make sure it is the correct one.
- ▶ The maximum dry laundry weight is 17.6 lbs (8.0 kg). See the “Program chart” for the maximum recommended loads for individual programs.
- ▶ Do not place shoes inside the drum for drying. Placing shoes inside the drum for drying can cause the belt to tear, requiring a service call.  
You must always use the dryer basket (optional accessory) when drying/airing shoes. Follow the additional operating instructions for the dryer basket.
- ▶ This tumble dryer is supplied with a special lamp to cope with particular conditions (e.g., temperature, moisture, chemical resistance, abrasion resistance, and vibration). This special lamp must only be used for the purpose for which it is intended. It is not suitable for room lighting. Replacement lamps may only be fitted by a Miele authorized person or by Miele Technical Service.

## IMPORTANT SAFETY INSTRUCTIONS

---

► Heat-pump technology and refrigerant:

The heat pump in this tumble dryer uses a gaseous refrigerant which is condensed by the compressor. The refrigerant, which is brought to a higher temperature level and liquified by condensing, is led in a closed circuit through the heat exchanger unit where heat exchange with the circulating drying air takes place.

- The humming noises caused by the heat pump during the drying process are normal. This does not impair the efficient functioning of the dryer.
- The refrigerant is not flammable or explosive.
- This tumble dryer contains fluorinated greenhouse gases. Hermetically sealed.

Designation of refrigerant: R134a

Amount of refrigerant: 16.6 oz (0.47) kg

Global warming potential of refrigerant: 1430 kg CO<sub>2</sub> e

Global warming potential of appliance: 672 kg CO<sub>2</sub> e

► This product may contain chemicals known to the state of California to cause cancer or birth defects or other reproductive harm.

# IMPORTANT SAFETY INSTRUCTIONS

---

## Using a fragrance flacon (optional accessory)

- ▶ Only use genuine Miele original fragrance flacons.
- ▶ Store the fragrance flacon in its original packaging.
- ▶ Caution: The fragrance can leak out of the flacon! Make sure that you always keep the flacon, or the lint filter with the flacon inserted in it, in a horizontal position when carrying and do not tip or place it down on any surface.
- ▶ Use an absorbent cloth to wipe up any fragrance which has leaked out of the flacon onto the floor, the dryer or any dryer components (e.g. the lint filter) immediately.
- ▶ If fragrance comes in contact with the body: Wash **skin** thoroughly with soap and water. Flush **eyes** with clean water for at least 15 minutes. If swallowed, rinse **mouth** thoroughly with clean water. Seek medical attention if the fragrance comes in contact with the eyes or is swallowed!
- ▶ Immediately change clothes that have come in contact with the fragrance. Thoroughly wash clothing or fabric using a large amount of water and detergent.
- ▶ There is the risk of fire or damage to the tumble dryer if the following instructions are not observed:
  - Never refill a flacon with fragrance or any other substance.
  - Never use a faulty fragrance flacon.
- ▶ Dispose of an empty fragrance flacon with the household waste and never use it for any other purpose.
- ▶ Please also observe the information supplied with the fragrance flacon.

# IMPORTANT SAFETY INSTRUCTIONS

---

## **FCC Declaration of Conformity**

▶ This appliance complies with Part 15 of the FCC regulations. This appliance has been tested and found to comply with the limits for a Class B digital device, pursuant to Part 15 of the FCC Rules and is subject to the following conditions: This appliance does not cause harmful interference. The appliances may be interconnected as desired.

## **FCC Radiation Exposure Statement**

▶ This appliance complies with FCC RF radiation exposure limits set forth for an uncontrolled environment. These appliances should be installed and operated with a minimum distance of 8" (20 cm) between the radiator and body.

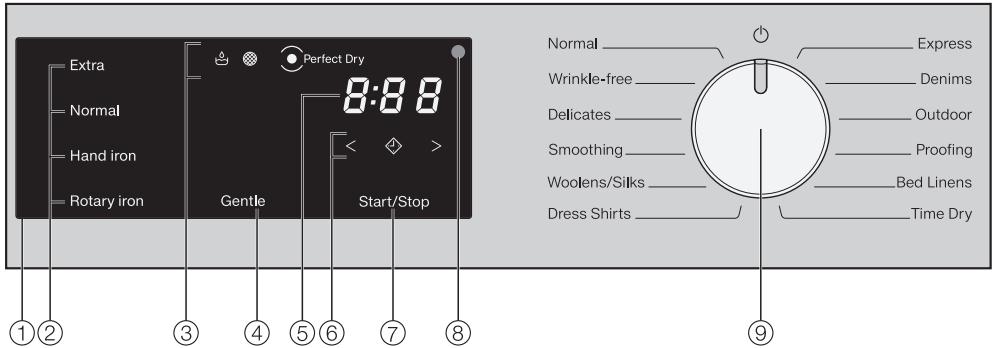
## **Industry Canada Statement**

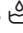






▶ This digital device does not exceed the Class B limits for radio noise emissions from digital devices specified in the radio regulations of the Canadian Radio-television and Telecommunications Commission. This appliance complies with the Class B specification of the Canadian ICES-003.

## **SAVE THESE INSTRUCTIONS**

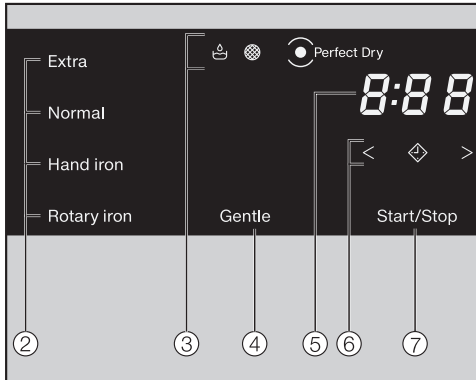
# Operating the tumble dryer

## Control panel



- ① **Display**
- ② **Sensor buttons for the drying levels**
- ③ **Indicator lights**     
light up when necessary
- ④ **Gentle sensor button**  
for gentle drying
- ⑤ **Time display**  
for the program duration
- ⑥ **Sensor buttons**     
for the time selection
- ⑦ **Start/Stop sensor button**  
for program start/cancellation
- ⑧ **Optical interface**  
for service technicians
- ⑨ **Program selector**  
for selecting program and for switching off. The tumble dryer is switched on when you select a program and switched off by turning the program selector to the  position.

## How the display works



The ②, ④, ⑥, and ⑦ sensor buttons react to fingertip contact. Selection is possible as long as the respective sensor button is illuminated.

If a sensor button is brightly lit, this means: currently selected

If a sensor button is dimly lit, this means: selection possible

### ② Sensor buttons for the drying levels

After a drying level program is selected with the program selector, the proposed drying level lights up.

Drying levels that can be selected are dimly lit.

### ③ Indicator lights

- lights up when the condensed water container needs to be emptied.
- lights up when the plinth filter needs to be cleaned.
- **Perfect Dry**  
The Perfect Dry system measures the residual moisture present in the laundry in programs with selectable drying levels and provides a more precise drying result.  
After starting the program, this message . . .  
. . . will flash until the program duration has been determined and then go out.  
. . . will light up again when the selected drying level is reached and remain on until the end of the program.  
. . . remains off with the following programs: *Woolens/Silks, Time Dry.*

### ④ Gentle sensor button

For drying temperature-sensitive textiles with the symbol. When the sensor button is touched, *Gentle* will light up brightly.

With some programs, *Gentle* is always active (lights up) or inactive (does not light up).

# Operating the tumble dryer

---

## ⑤ Time display

The remaining program duration will be displayed in hours and minutes.

With most program, the duration displayed may vary or “jump”. The following factors, among others, affect the program duration displayed: the quantity of laundry, the type of fabric, and the residual moisture in the laundry. The electronic control continually assesses conditions in the appliance and then adjusts the program duration with increasing accuracy.

## ⑥ < ◊ > sensor buttons

- ◊

After touching the ◊ sensor button, a later start time for the program (Delay Start) can be selected. Once selected, ◊ lights up brightly.

- < >

The < or > sensor buttons are used for selecting the duration of the delay start period or the duration of the *Time Dry* program.

## ⑦ Start/Stop sensor button

Touching the *Start/Stop* sensor button starts the selected program or cancels a program that has already been started. The sensor button flashes slowly as soon as it is possible for a program to be started and then lights up constantly after the program has started.

## Drum lighting

The inside of the drum lights up so that you don't forget any items of laundry when you empty it.

The drum lighting switches off automatically (energy saving).



This dryer with heat-pump technology is designed for energy-saving drying cycles. However, you can save a little more energy with the following measures as the drying time is not extended unnecessarily.

- Make sure your laundry is spun at the maximum spin speed before drying. The higher the spin speed, the greater the savings that can be made in energy and time during drying, e.g., approx. 20% energy can be saved if spun at 1,600 rpm instead of 1,000 rpm.
- Load according to the optimum amount of laundry recommended for the program being used. This will mean that the energy consumption for the amount of laundry is at its most economical.
- Make sure that the room temperature is not too high. If there are other heat-producing appliances in the room in which the dryer is located, make sure the room is well ventilated and switch the other appliances off, if possible.
- Clean the lint filters in the door opening after every drying cycle.

# Functioning of the heat-pump dryer

---

Two separate circuits ensure that the laundry is dried:

## Dry air circuit

The drying air flows through a heat exchanger, the drum, and several filters. This is ensured by a blower in the dryer.

- The drying air flows through the heat exchanger in the longitudinal direction and is heated in the rear area.
- The drying air is then blown into the drum, where it absorbs the moisture of the laundry.
- The damp drying air is blown back through the heat exchanger via several filters in the fill area and the plinth area of the dryer.
- The drying air cools down in the front, cool area of the heat exchanger, and loses its moisture.
- The circuit begins again.

## Refrigerant circuit

The refrigerant circuit regulates the heating and cooling of the drying air through the heat exchanger. The heat pump is the central component: This is a compressor that is connected to a pipeline system which is filled with refrigerant.

- The pipeline system surrounds the heat exchanger in several bends.
- The compressor draws in the gaseous refrigerant and compresses it, causing the temperature to rise.
- The hot refrigerant is passed through the pipeline system to the rear of the heat exchanger. The heat is released into the drying air, which flows through the heat exchanger.
- The refrigerant liquifies by dissipating the heat.
- The liquid refrigerant then flows through a capillary tube (a very thin tube) to the front area of the heat exchanger. This changes the pressure of the refrigerant.
- The refrigerant cools and reverts to its gaseous state. This in turn cools the front area of the heat exchanger and dehumidifies the drying air.
- The circuit begins anew.

### **Removing the protective film and stickers**

- Remove:
  - The protective film from the door
  - Any stickers (if present) from the front and the lid

Please do not remove any labels (e.g., the data plate) which are visible when you open the door.

### **Carrying out the procedure for initial commissioning outlined in these instructions**

- Read “1. Notes on correct laundry care” and “2. Loading the tumble dryer”.
- You can then load the tumble dryer and select a program as described in “3. Selecting a program and starting it”.


# 1. Notes on correct laundry care

---

## Points to note regarding washed laundry


- When washing very heavily soiled items, ensure that you use sufficient detergent and select a high temperature. If in doubt, wash the items several times.
- Do not load the drum with items that are still soaking wet. Make sure your laundry is spun at the maximum spin speed before drying. The higher the spin speed, the greater the savings that can be made in energy and time during drying.
- New dark colored garments should be washed and dried separately from light colored garments. There is the risk of colors running and discoloring other garments or even plastic components in the dryer. Dark colored fibers can also settle on light colored garments and vice versa.
- Starched laundry can be tumble dried. To achieve the usual finish, double the amount of starch should be used.

## Preparing the laundry before drying

 Damage due to foreign objects which were not removed from the laundry.

Foreign objects can melt, burn, or explode.

Ensure that any foreign objects (e.g., detergent dispensing balls, lighters, etc.) have been removed from the laundry.

 Risk of fire due to incorrect use and operation.

The laundry can burn and destroy the dryer and the surroundings.

Read and observe “IMPORTANT SAFETY INSTRUCTIONS”.

- Sort the laundry according to the type of fiber and weave, size, garment care label symbol, and the drying level required.
- Check seams and stitching to ensure that padding and linings are intact. This way you will avoid the danger of fillings coming out. These could catch fire when being dried.
- Untangle the laundry.
- Tie together textile belts and apron ties.
- Fasten duvet covers and pillow cases to prevent small items from being rolled up inside them.
- Fasten hooks and eyes.
- Leave jackets open and undo any long zippers so that textiles dry evenly.
- Sew in or remove underwiring from bras.
- If necessary, reduce the size of the load for these types of fabric. Easy care fabric tends to crease more, the larger the load. This is particularly the case for garments made from very fine weave fabric, such as dress shirts or blouses.

# 1. Notes on correct laundry care




## Drying

**Tip:** See the “Program chart”.





This describes the programs and gives their maximum load.

- Always observe the maximum recommended load for each program. This will mean that the energy consumption for the amount of laundry is at its most economical.
- Down-filled garments have linings which have a tendency to shrink, depending on the quality of the item. Only use the *Smoothing* program for these items.
- You should only tumble dry pure linen if it is specified as suitable by the manufacturer on the care label, as the surface of the fabric may otherwise become rough. Only use the *Smoothing* program for these items.
- Woolens and wool blends tend to become matted and shrink if tumble dried. Only use the *Woolens/Silks* program for these items.
- Jersey fabrics (e.g., T-shirts, underwear) tend to shrink when they are washed for the first time. Therefore, do not over-dry the fabrics to prevent them from shrinking further. Buy jersey fabrics that are one or two sizes bigger.
- Select the extra *Gentle* option for fabric which is particularly heat-sensitive or susceptible to creasing.

## Understanding the care label symbols

Drying	
 Normal/higher temperature	
 Low temperature*	* Select <i>Gentle</i>
 Do not tumble dry	

Ironing	
 Very hot	 Hot
 Warm	 Do not iron

## Selecting the correct drying level

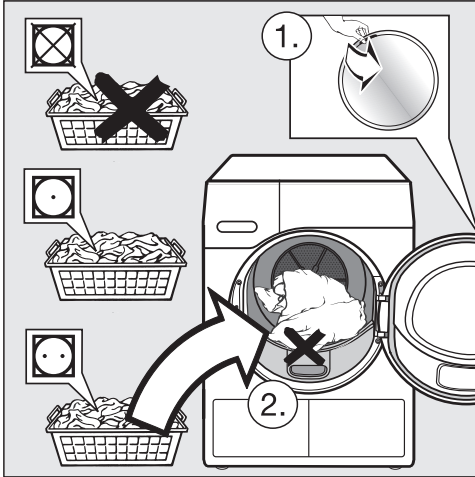
- *Extra* for multi-layered and very thick fabrics.
- *Normal* for textiles that can shrink. Or for light cotton or jersey textiles.
- *Hand iron* or *Rotary iron* if you want to iron the laundry after drying.

**Tip:** You can alter the drying levels for the *Normal* and *Wrinkle-free* programs (damper or dryer). See “Programmable functions” for this.

## 2. Loading the tumble dryer

### Loading the laundry

Textiles may be damaged.  
Before loading, read “1. Notes on correct laundry care”.



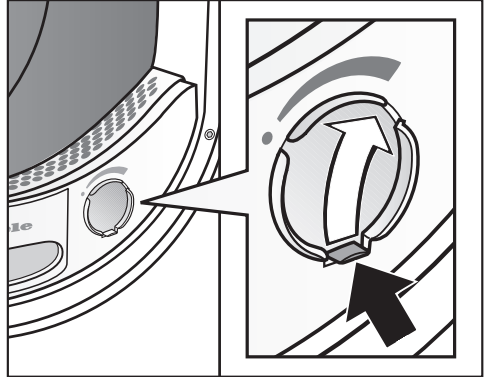
- Unfold the laundry and load loosely into the drum.

Do not overload the drum.  
Overloading can cause unnecessary wear and tear to the laundry, give a disappointing drying result, and cause more creasing.

This can result in damage to the laundry.  
When closing the door, make sure that laundry does not get trapped in the door opening.

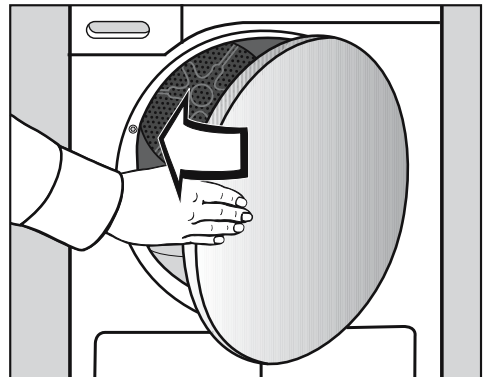
### Socket for the fragrance flacon

The “Fragrance flacon” chapter describes how to use the fragrance flacon.



If you are not using a fragrance flacon:  
Push the tab down completely (see arrow) so that the socket is closed. Otherwise, lint will accumulate here.


### Closing the door

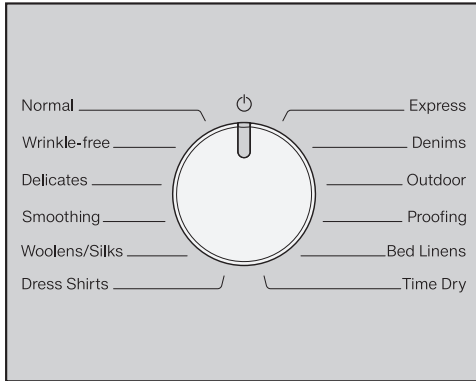


- Shut the door with a gentle swing.

### 3. Selecting a program and starting it

#### Selecting a program

The tumble dryer is switched on when you select a program and switched off by turning the program selector to the  position.



- Turn the program selector.

A drying level may light up and durations will appear on the time display.

#### Selecting drying levels during drying level programs

Normal, Wrinkle-free, Delicates, Dress Shirts, Express, Denims, Bed Linens, Smoothing

The pre-set drying level can be changed if required.

Extra

Normal

Hand iron

Rotary iron

- Touch the sensor button for the drying level you want. It will then light up brightly.

Any drying level can be selected for the *Normal, Express, and Bed Linens* programs. A more limited range is available when using the other programs.

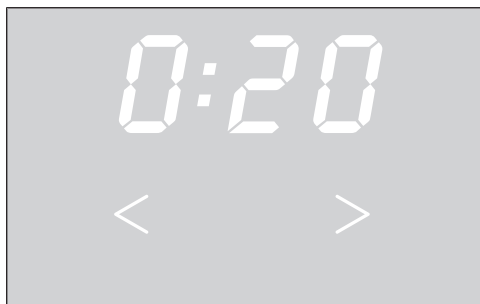
### 3. Selecting a program and starting it

---

#### Time-controlled and other programs

##### Time Dry

You can set the duration in ten-minute increments from 0:20 minutes to 2:00 hours.




- Touch the < or > sensor button repeatedly until the required program duration appears on the time display.

##### Woolens/Silks, Proofing

The drying result is preset by the dryer and cannot be altered.

#### Selecting Gentle

Delicate fabrics (with the  symbol on the care label, e.g., acrylic garments) are dried at a lower temperature and the program duration is longer.

- Touch the *Gentle* sensor button. It will then light up brightly.
- *Gentle* can be selected with the following programs:
  - *Normal*
  - *Wrinkle-free*
  - *Dress Shirts*
  - *Denims*
  - *Time Dry*
- *Gentle* is always activated/cannot be deselected with *Outdoor*, *Delicates*, *Smoothing*.



## 3. Selecting a program and starting it


### Selecting Delay Start

You can delay the start of a program from 0:30 minutes up to 24h hours.

**However:** Delay Start cannot be used with the *Time Dry* program.



■ Touch the  sensor button.

 will light up brightly.

■ Touch the > or < sensor button repeatedly until the required delayed start time appears on the time display.

**Tip:** The times will count upwards and downwards automatically if you keep your finger on the > or < sensor button.


### Changing Delay Start

■ Touch the *Start/Stop* sensor button.

■ You can change the time with the < > sensor buttons.

■ Touch the *Start/Stop* sensor button so that the delay start period continues.

### Cancelling/deleting Delay Start

■ To switch off, turn the program selector to the  position.

### Sequence

- Delay start times of more than 10h will count down in hours and then in minutes until the start of the program.
- The drum will turn briefly every hour until the start of the program to reduce laundry creasing.

### 3. Selecting a program and starting it

---

#### Starting a program

- Touch the flashing *Start/Stop* sensor button.


The *Start/Stop* sensor button will light up.

#### Notes

If a delay start time has been selected, then this will count down on the time display. At the end of the delay start time or immediately after the program has started (if no delay start time has been selected), the program duration will appear on the time display.

With a longer delay start time, the drum will rotate occasionally to untangle the laundry. This is not a fault.

- The *Perfect Dry* indicator will only flash/light up with programs with selectable drying levels (see also “Operating the tumble dryer”).
- This dryer measures residual moisture content in the laundry to ensure perfect drying results. However, if you load the dryer with little or dry laundry, it will be dried/aired for a set duration. In this case, *Perfect Dry* does not light up at the end of the program.

 Avoid overdrying items of laundry and garments. Otherwise they can wear out!

#### Energy savings

After 10 minutes, the indicators dim and the *Start/Stop* sensor button starts flashing.

- Touch the *Start/Stop* sensor button to switch the indicators on again (this does not have any effect on a running program).
- Before the program finishes, the laundry is cooled.

## 4. Removing the laundry at the end of the program

### End of program/Anti-crease

End of program: *0:00* lights up and the *Start/Stop* sensor button goes out.

The dryer will switch off automatically. If you want an Anti-crease phase after the end of program, see “Programmable functions”, “*PI4* Anti-crease”.

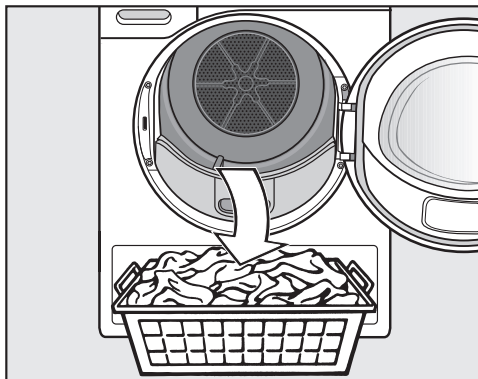
### Energy savings

- 10 minutes after the end of the program, the *Start/Stop* sensor button will begin to flash and the display will go out.
- The dryer will switch off automatically 15 minutes after the end of the Anti-crease phase (with programs without an Anti-crease phase, it will switch off 15 minutes after the end of the program).

### Removing the laundry


Only open the door when the drying process has finished. Otherwise, the laundry will not be properly dried through and cooled down.

- Pull the door open at the side with the orange marker.




- Remove the laundry.

Items left in the dryer could be damaged by over-drying when the dryer is used the next time. Always remove all items from the drum.

- Turn the program selector to the  position.
- Remove the lint from the 2 lint filters in the door opening: see “Cleaning and care”, “Cleaning lint filters”.
- Shut the door gently.
- Empty the condensed water container.

# Program chart

All weights marked with \* are based on the weight of dry laundry.

<b>Normal</b>		<b>Full load (17.6 lb/8 kg)*</b>
<b>Extra, Normal</b>		
Items	Single and multi-layered cotton items. For example, T-shirts, underwear, baby clothes, workwear, jackets, covers, aprons, overalls, hand towels, bath towels, bathrobes, and bed linen.	
Tip	<ul style="list-style-type: none"> <li>- Select <i>Extra</i> for multi-layered and very thick fabrics.</li> <li>- Do not use <i>Extra</i> for jersey fabrics (e.g., T-shirts, underwear, baby clothes) because they can shrink.</li> </ul>	
<b>Hand iron, Rotary iron</b>		
Items	All cotton or linen fabrics requiring further processing. For example, table linen, bed linen, or starched laundry.	
Tip	To prevent laundry from drying out, it should be rolled up until you are ready for ironing.	
<b>Wrinkle-free</b>		<b>Half load (8.8 lb/4 kg)*</b>
<b>Normal, Hand iron</b>		
Items	For easy care items made of cotton, synthetic, or mixed fiber. For example, workwear, dresses, pants, pantyhose, and table linen.	
<b>Delicates</b>		<b>Small load (5.7 lb/2.5 kg)*</b>
<b>Normal, Hand iron</b>		
Items	Delicate items with the  symbol on the care label made of synthetic fiber, mixed fiber, rayon, and easy care cotton. For example, dress shirts, blouses, lingerie, and appliquéd garments.	
Tip	The load should be reduced further for a particularly crease-free drying process.	

# Program chart

<b>Smoothing</b>		<b>Small load (2.2 lb/1 kg)*</b>
<b>Normal, Hand iron</b>		
Items	<ul style="list-style-type: none"> <li>- Cotton and linen fabric.</li> <li>- For easy care items made of cotton, mixed, or synthetic fiber. For example, pants, jackets, and shirts.</li> </ul>	
Tip	<ul style="list-style-type: none"> <li>- This program smoothes out creasing caused during the spin cycle in the washing machine.</li> <li>- This program is also suitable for dry fabrics.</li> <li>- Please remove the garments as soon as the program has finished.</li> </ul>	
<b>Woolens/Silks</b>		<b>Small load (4.4 lb/2 kg)*</b>
Items	<ul style="list-style-type: none"> <li>- For woolen garments and fabric containing wool blends. For example, pullovers, knitted jackets, and pantyhose.</li> <li>- Silk garments which are suitable for tumble drying, e.g., blouses and shirts.</li> </ul>	
Tip	<ul style="list-style-type: none"> <li>- Woolen garments are loosened and fluffed up in a short amount of time.</li> <li>- The program reduces the amount of creases in silk garments that are suitable for tumble drying.</li> <li>- The items are not dried completely in this program.</li> <li>- Please remove the garments as soon as the program has finished.</li> </ul>	
<b>Dress Shirts</b>		<b>Small load (4.4 lb/2 kg)*</b>
<b>Normal, Hand iron</b>		
Items	For all shirts and blouses.	
<b>Express</b>		<b>Half load (8.8 lb/4 kg)*</b>
<b>Extra, Normal, Hand iron, Rotary iron</b>		
Items	Suitable for resistant garments for the <i>Normal</i> program.	
Note	The program duration is shortened.	
<b>Denims</b>		<b>Small load (6.6 lb/3 kg)*</b>
<b>Normal, Hand iron</b>		
Items	All the denim garments, e.g., jackets, jeans, shirts, and skirts.	

# Program chart


<b>Outdoor</b>		<b>Small load</b> (5.5 lb/2.5 kg)*
<b>Normal, Hand iron</b>		
Items	Outdoor clothing which is suitable for drying in a tumble dryer.	
<b>Proofing</b>		<b>Small load</b> (5.5 lb/2.5 kg)*
Items	For drying microfiber fabrics, skiwear, outdoor wear, fine, closeweave cotton garments (poplin), and table linen which are suitable for drying in a tumble dryer.	
Note	<ul style="list-style-type: none"> <li>- Items are dried to a <i>Normal</i> level only.</li> <li>- This program includes a proofing fixing phase.</li> <li>- Only use proofing agents which are stated by the manufacturer as being “suitable for use on membrane textiles”. These agents contain fluorochemical compounds.</li> <li>- <b>Risk of fire!</b> Do not dry items which have been treated with proofing agents containing paraffin.</li> </ul>	
<b>Bed Linens</b>		<b>Full load</b> (8.8 lb/4 kg)*
<b>Extra, Normal, Hand iron, Rotary iron</b>		
Items	Bed linen	
Tip	<ul style="list-style-type: none"> <li>- Select <i>Extra</i> for multi-layered and very thick fabrics.</li> <li>- To prevent laundry from drying out, it should be rolled up until you are ready for ironing.</li> </ul>	
<b>Time Dry</b>		<b>Full load</b> (17.6 lb/8 kg)*
Items	<ul style="list-style-type: none"> <li>- For multi-layered fabric whose layers have different drying characteristics, e.g., jackets, pillows, sleeping bags, and other voluminous items.</li> <li>- For drying individual items, e.g., bath towels, swimwear, dish cloths, and towels.</li> </ul>	
Tip	Do not select the longest drying time to start with. Check the items as you are drying them to find the optimum time.	

# Changing the program sequence


## Changing a program once it has started

You cannot change to another program once a program has started (this prevents unintentional alterations).

If you try to change a program, **-D-** will light up until the original program is reset.

Exception: The dryer is switched off by turning the program selector to the  position.

You will need to cancel the current program before you can select a new one.

 Risk of fire due to incorrect use and operation.

The laundry can burn and destroy the dryer and the surroundings.

Read and observe "IMPORTANT SAFETY INSTRUCTIONS".

## Cancelling the current program

- Touch the *Start/Stop* sensor button.


The items will be cooled down, depending on the temperature reached and how long they have been dried for. **0:00** will light up if you press the *Start/Stop* sensor button again during the cooling-down phase.

- Open the door.

## Selecting another program

- Close the door.
- Turn the program selector to another program.
- Touch the *Start/Stop* sensor button.

## Adding or removing laundry

 Risk of burns when touching hot laundry of the dryer drum.

You could burn yourself.

Let the laundry cool down and remove it carefully.

- Pull open the door.
- Add or remove items.
- Close the door.
- Touch the *Start/Stop* sensor button.

The program starts.

# Changing the program sequence

---

## Adding laundry during ongoing delay start period

You can open the door to add or remove laundry.

- All program settings will be saved.
- You can still change the drying level, if required.
- Open the door.
- Remove or add the laundry.
- Close the door.
- Touch the *Start/Stop* sensor button so that the delay start period continues.

## Program duration

Altering the program sequence can cause the program duration shown on the time display to be adjusted.





## Condensed water container

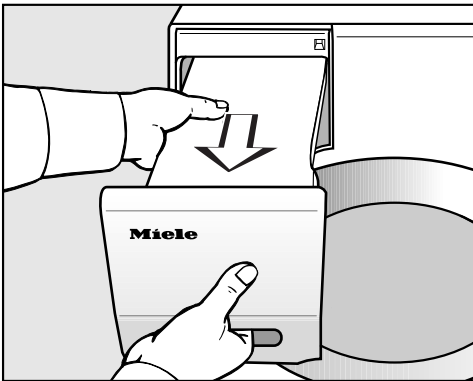
### Emptying the condensed water container

The condensed water is collected in the condensed water container.

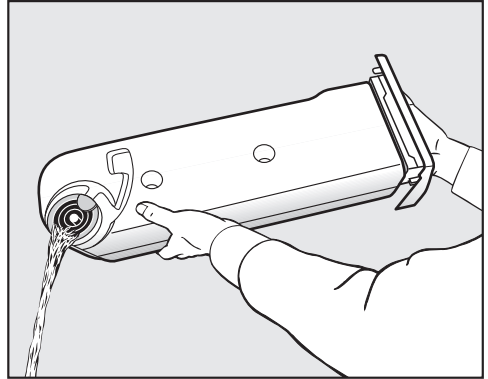
Empty the condensed water container after every drying program.

The  indicator light will light up if the maximum level of the condensed water container is reached.

To turn the  indicator light off: Open and close the door while the dryer is switched on.



- Remove the condensed water container.
- To prevent water from running out, keep it in a horizontal position when carrying it. Hold the condensed water container at the front and towards the back.



- Empty the condensed water container.
- Replace the condensed water container in the dryer.


It can cause health problems in people and animals.  
Do not drink condensed water.

You can use the condensed water in the household (e.g., for steam irons or humidifiers). For this, however, you should pour the condensed water through a fine sieve or a coffee filter. This filters the finest pieces of lint, which could possibly cause damage, out of the water.

# Fragrance flacon

## Using the fragrance flacon

Using the fragrance flacon (optional accessory) will add a pleasant fragrance to your laundry.

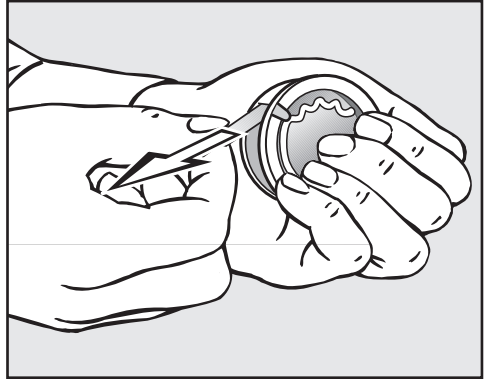
 Risk of fire and damage to the health if fragrance flacons are used incorrectly.

The leaked fragrance can damage your health if it comes into contact with your body. Leaked fragrance can cause fire.

Before using a fragrance flacon, please read "IMPORTANT SAFETY INSTRUCTIONS", "Using the fragrance flacon (optional accessory)".

## Removing the protective seal from the fragrance flacon

Only hold the fragrance flacon as illustrated. Do not hold it at an angle or tip it as the fragrance will leak out of the flacon.



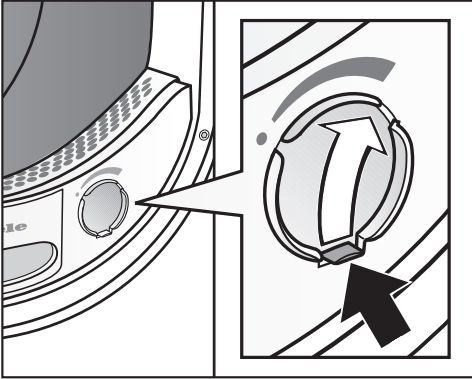
- Hold the flacon securely so that you do not open it by mistake.
- Pull off the protective seal.

# Fragrance flacon

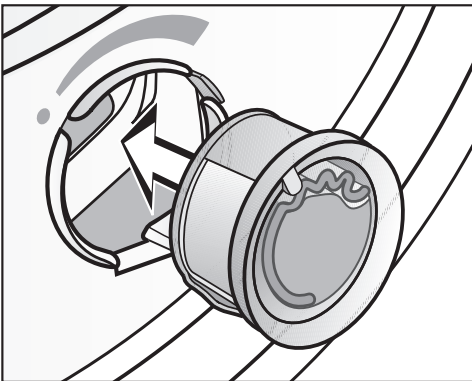
## Inserting the fragrance flacon

- Open the door of the tumble dryer.

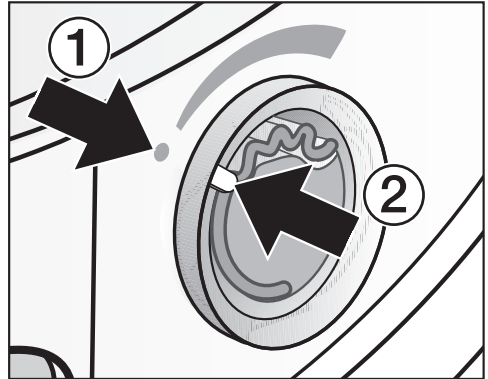
The fragrance flacon is inserted in the upper lint filter next to the recessed grip.



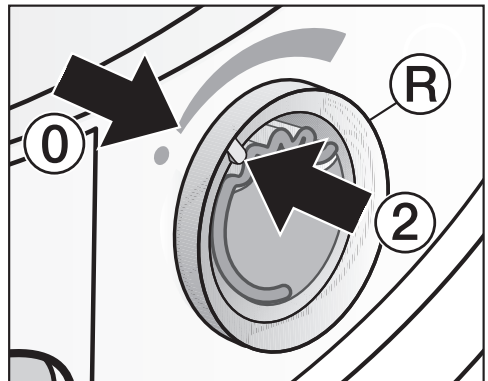
- Open the cover using the tab until the tab is right at the top as shown.



- Insert the fragrance flacon into the socket as far as it will go.



Markers ① and ② must line up with one another.



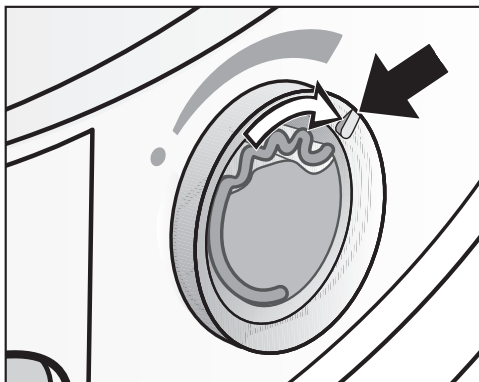
- Turn the outer ring **R** clockwise a little.

The fragrance flacon can slip out. Turn the outer ring in such a way that markers ② and ① line up.

## Fragrance flacon

### Opening the fragrance flacon

Before drying, you can select the intensity of the fragrance.

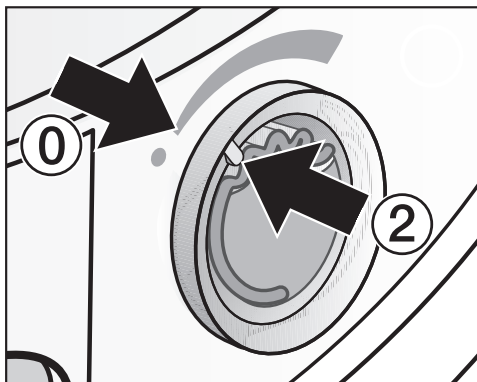


- Turn the outer ring clockwise: The further you open the fragrance flacon, the more intense the fragrance.

Damp laundry and longer drying durations with sufficient heat transfer are needed for the fragrance to be released into the laundry effectively. The fragrance will also be noticeable in the room air during the process.

### Closing the fragrance flacon

After drying, the fragrance flacon should be closed to prevent the fragrance from escaping needlessly.

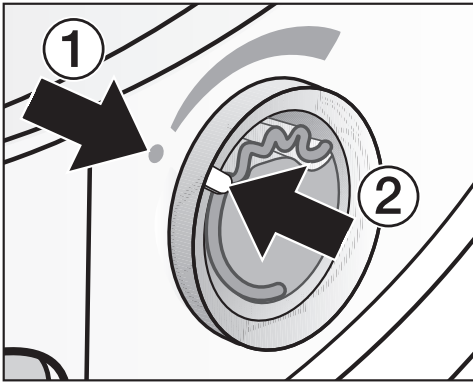


- Turn the outer ring counter-clockwise until marker ② is in position ①.

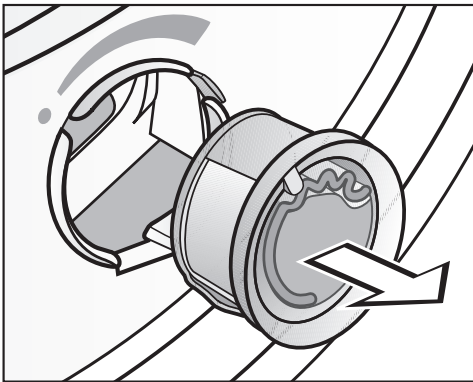
If you wish to dry without the fragrance occasionally: Remove the fragrance flacon and store it in its original packaging.

Replace the fragrance flacon with a new one when the intensity of the fragrance is no longer sufficient.

## Removing/replacing the fragrance flacon



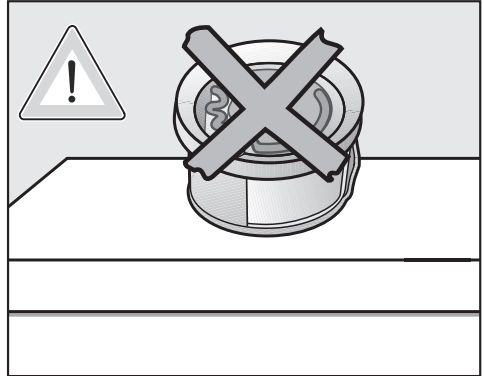
- Turn the outer ring counter-clockwise until markers ① and ② line up.



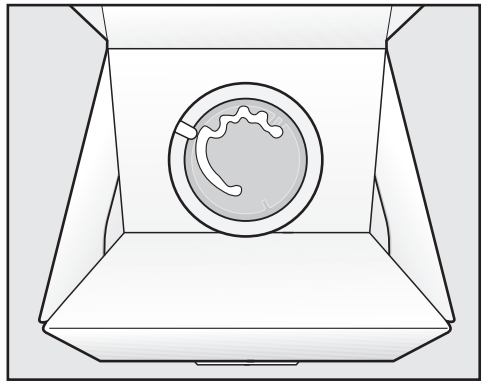
- Replace the fragrance flacon with a new one.

When not in use, you can store the fragrance flacon in its original packaging.

Fragrance flacons are available to order from Miele retailers or online.



The fragrance can leak out of the pod.  
Do not lay the fragrance flacon down.




- If you are keeping the fragrance flacon in its original packaging, do not store the packaging upright on its edge or upside down. Otherwise, the fragrance will leak out.
- Always store in a cool, dry place away from direct sunlight.
- When purchasing new fragrance flacons, only remove the protective seal just before use.

# Cleaning and care

## Lint filters

This tumble dryer has 2 lint filters in the door opening: The upper and lower lint filters trap lint produced during the drying process.

Clean the lint filters after each drying program. This prevents an extension of the program duration.

Also clean the lint filters when the  indicator light comes on.

To turn the  indicator light off:

- Open and close the door while the dryer is switched on.

## Removing the fragrance flacon

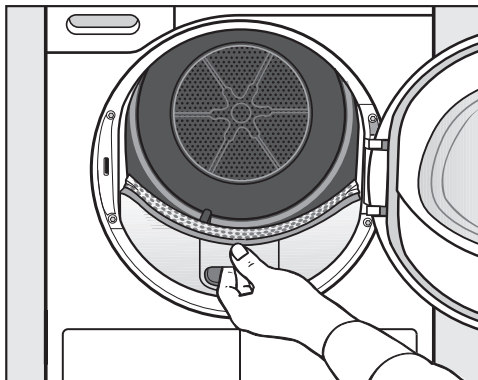
The intensity of the fragrance will be reduced if the lint filters and plinth filter are not cleaned.

- Remove the fragrance flacon. See “Fragrance flacon”, “Removing/replacing the fragrance flacon”.

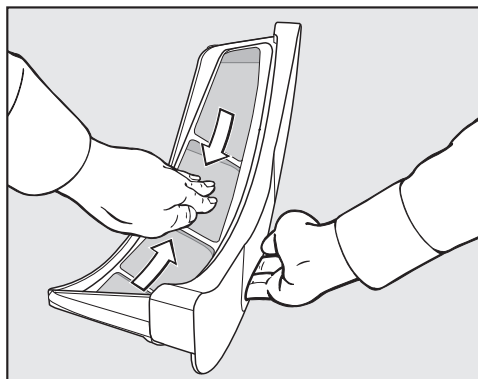
## Removing visible lint

**Tip:** You can also use a vacuum cleaner so that you can remove the lint without touching it.

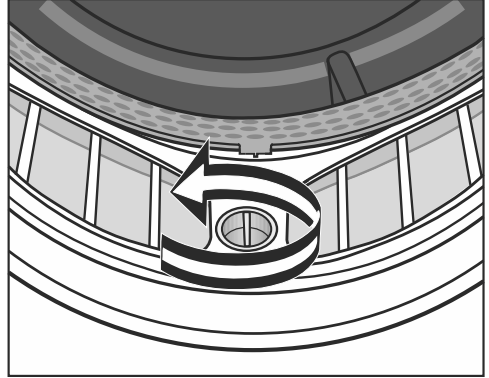
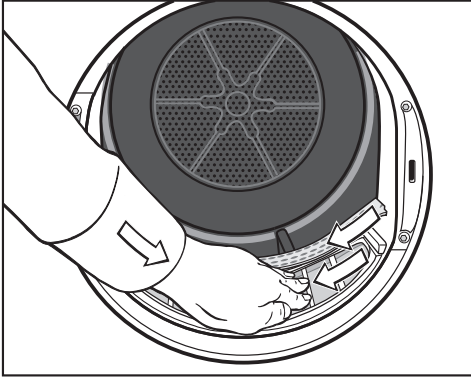
- Open the door.



- Pull the upper lint filter forward to remove it.



- Remove the lint (see arrows).



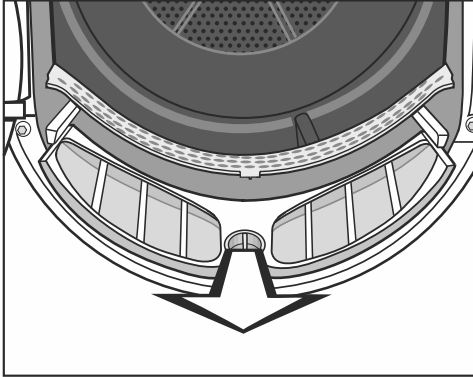
- Remove the lint (see arrows) from the filter surface of all the lint filters and the perforated laundry deflector.
- Push the upper lint filter back into position until it clicks.
- Close the door.
- Turn the yellow dial on the lower lint filter in the direction of the arrow (until you hear it click).

### **Cleaning the lint filters and air flow openings thoroughly**

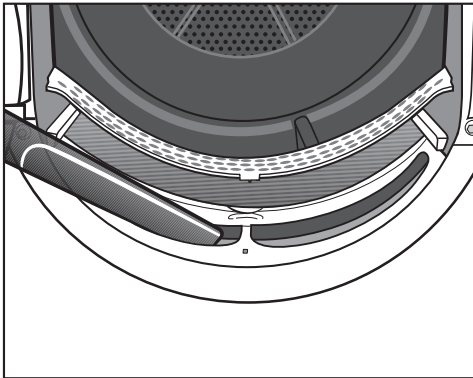
If the drying duration has become longer or the surface of the filters is visibly compacted with lint, you should carry out the following cleaning procedure.

- Remove the fragrance flacon. See “Fragrance flacon”.
- Pull the upper lint filter forward to remove it.

## Cleaning and care



- Hold the dial and pull the lint filter forward to remove it.



- Use a vacuum cleaner with a long crevice nozzle attached to remove any visible lint from the upper air flow openings.

Finally, clean the lint filters with water.

### Cleaning the lint filters with water

- Wipe the smooth plastic surfaces of the lint filters with a damp cloth to clean them.
- Flush the lint filters through with warm running water.
- Shake the lint filters thoroughly and then dry them carefully.


Ensure the filters are dry before replacing them. Wet filters could cause operational faults.

- Push the lower lint filter in completely and lock it with the yellow dial.
- Push the upper lint filter in completely.
- Close the door.




## Cleaning instructions when using fabric softener sheets

If you are using fabric softener sheets, please follow these warnings and instructions.

 First, clean the filters as described in “Cleaning the lint filters with water”.

If the surfaces of the lint filters are still strongly compacted with lint, then follow these measures.

Please note the plastic and surfaces of the lint filters can be damaged by the cleaning process described below.

 If the surfaces of the lint filters are not cleaned, this can extend the drying time and increase the energy consumption.

Try the following 3 cleaning instructions to determine the one that achieves the best results.

### Option 1

- Wipe the surfaces of the lint filters several times with a cleaning cloth with an alcohol base until you have removed the impurities/obstructions.

 Risk of fire!

Then rinse the filter surfaces thoroughly with warm water to remove all residues.

### Option 2

- Clean the lint filters in the dishwasher without any other dishes. Use a high-temperature program.

### Option 3


- Wet the surfaces of the lint filters with a liquid color detergent (e.g., Miele Ultra Color Liquid Laundry Detergent).
- Leave it on for approx. 2 hours.

 Risk of fire!

Then rinse the filter surfaces thoroughly with warm water to remove all residues.

# Cleaning and care

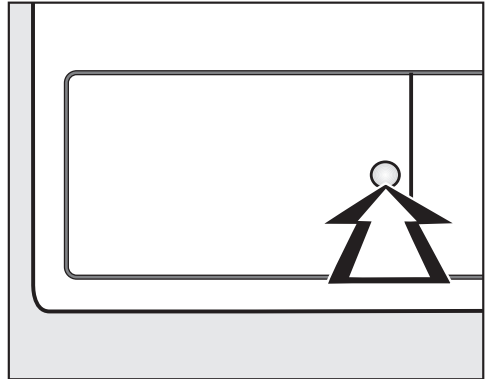
## Cleaning the plinth filter

Clean the plinth filter whenever the  indicator light comes on or when the program duration is longer than usual.

To turn the  indicator light off:

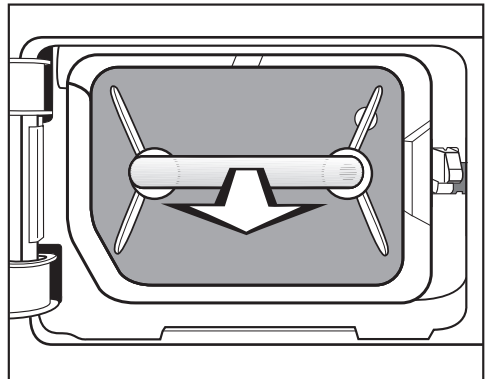
- Open and close the door while the dryer is switched on.

## Removing the plinth filter



- Press the round, indented area on the heat exchanger access panel to open it.

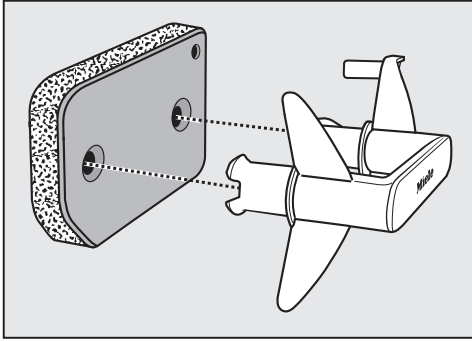
The panel will spring open.



- Pull the plinth filter out by the handle.

This causes the right-hand guide pin in the dryer to come out. This pin ensures that the heat exchanger access panel can only be closed if the plinth filter is inserted the right way round.

## Cleaning the plinth filter

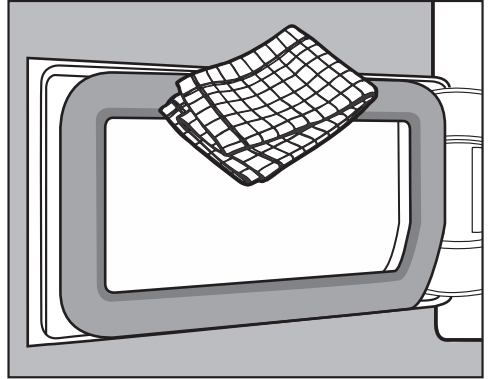


- Pull the handle out of the plinth filter.
- You can brush off a heavy build-up of lint on the plinth filter or remove it with a vacuum cleaner.
- Clean the filter thoroughly under running water.
- Squeeze the water out of the plinth filter thoroughly.

The plinth filter must not be replaced dripping wet. This can cause a fault.

- Use a damp cloth to remove any lint from the handle.


## Cleaning the plinth filter flap



- Use a damp cloth to remove any lint. Make sure that you do not damage the rubber seal when doing this.
- Check whether the cooling fins are blocked with lint (as follows).

# Cleaning and care

## Checking the heat exchanger unit


 Risk of injury from sharp cooling fins.

You could cut yourself.

Do not touch the cooling fins with your hands.

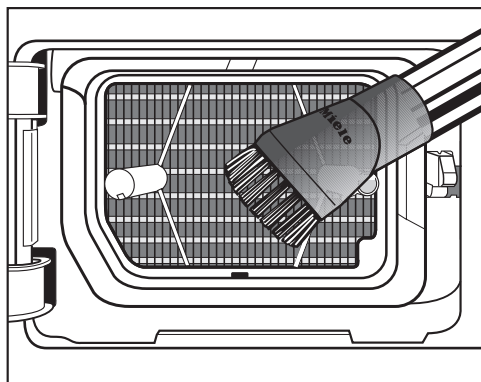
- Look to see if lint has accumulated.

If there is visible soiling:

 Damage due to incorrect cleaning of the heat exchanger.

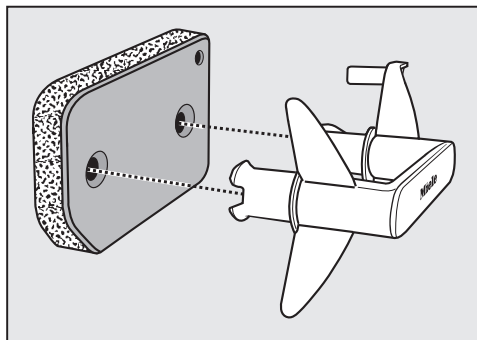
The dryer will not dry if the cooling fins are damaged or bent.

Use a vacuum cleaner with a dusting brush attached to clean the cooling fins. Only pass the vacuum cleaner brush over them lightly, without applying any pressure.



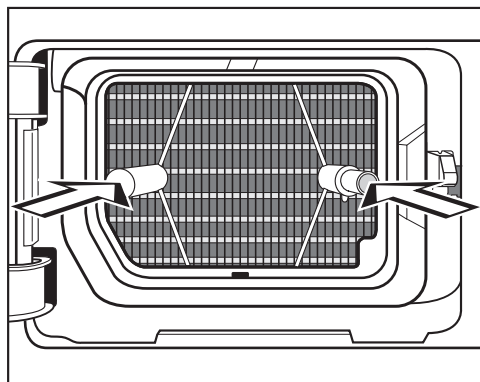
- Carefully vacuum up any visible lint or dirt.

## Inserting the plinth filter



- Fit the filter back on the handle. Make sure it is the correct way round.

To ensure that the filter is positioned correctly in front of the heat exchanger unit:




- First insert the handle with the plinth filter attached over the two guide pins:

- The word Miele on the handle must be the correct way up.

- Push the plinth filter in completely.

This will push in the right-hand guide pin at the same time.

- Close the heat exchanger flap.


 Damage or ineffective drying if drying takes place without a plinth filter or when the heat exchanger flap is open.

Excessive accumulations of lint can damage the dryer in the long term. If the system is not leak-tight, this can make the drying ineffective.

You may only operate the dryer with the plinth filter fitted correctly and the heat exchanger flap closed.

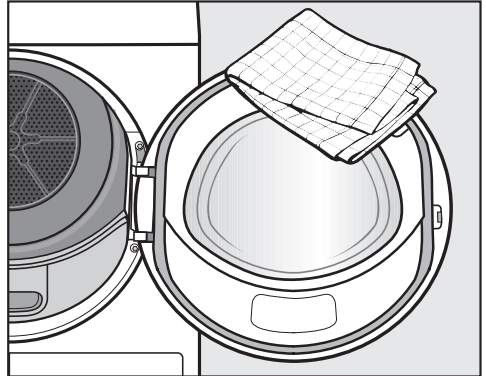
### Cleaning the dryer

Disconnect the tumble dryer from the electrical supply.

 Damage due to the use of unsuitable care products.

Unsuitable care products could damage plastic surfaces and other parts.

Do not use any solvents, abrasive cleaners, glass cleaners, or all-purpose cleaners.









- Clean the tumble dryer and the seal on the inside of the door with a slightly damp soft cloth and a mild solution of liquid dish soap and water.
- Dry all the parts with a soft cloth.

## Frequently Asked Questions

With the help of the following guide minor faults in the performance of the machine, some of which may result from incorrect operation, can be remedied without contacting the Service Department.

This guide may help you to find the reason for the fault, and how to correct it.

### Indicator lights or information on the time display

Problem	Possible cause and solution
<p>The  indicator light comes on after a program has been cancelled and a signal sounds.</p>	<p>The condensed water container is full or there is a kink in the drain hose.</p> <ul style="list-style-type: none"> <li>■ Empty out the condensed water container.</li> <li>■ Check the drain hose.</li> <li>■ See “Cleaning and care”.</li> </ul> <p>To switch the  indicator light off:</p> <ul style="list-style-type: none"> <li>■ Open and close the door (with the dryer switched on).</li> </ul>
<p>The  indicator light comes on at the end of the program.</p>	<p>There is a build-up of lint in the airways.</p> <ul style="list-style-type: none"> <li>■ Clean the lint filters.</li> <li>■ Clean the plinth filter.</li> <li>■ See “Cleaning and care”.</li> </ul> <p>To switch the  indicator light off:</p> <ul style="list-style-type: none"> <li>■ Open and close the door (with the dryer switched on).</li> </ul> <p>You can influence when the  indicator light comes on: See “Programmable functions”, “P20 Airway indicator”.</p>
<p>-0- lights up.</p>	<p>The program selector has been moved.</p> <ul style="list-style-type: none"> <li>■ Select the original program. The time left will appear on the display again.</li> </ul>
<p>Bars flash on the display at the end of a program: </p>	<p>The program has finished but the laundry has not yet cooled down.</p> <ul style="list-style-type: none"> <li>■ Either remove the laundry and spread it out to cool down or leave it in the tumble dryer to cool down during the cooling phase.</li> </ul>

## Frequently Asked Questions

Problem	Possible cause and solution
<p>--- <b>flashes/lights up after the tumble dryer is switched on and a program cannot be selected.</b></p>	<p>Access via a code has been activated.</p> <ul style="list-style-type: none"> <li>■ See “Programmable functions“, “P07 Code”.</li> </ul>
<p><b>F and 055 light up after a program has been cancelled, a signal sounds.</b></p>	<p>An excessive amount of lint has built up.</p> <ul style="list-style-type: none"> <li>■ Clean the lint filters.</li> <li>■ Clean the plinth filter.</li> <li>■ Clean the airways: the area underneath the plinth filter and the heat exchanger.</li> <li>■ See “Cleaning and care”.</li> </ul> <p>To switch <i>F 055</i> off:</p> <ul style="list-style-type: none"> <li>■ Switch the dryer off and then on again.</li> </ul>
<p><b>F and another number combination flash after a program has been cancelled, a signal sounds.</b></p>	<p>There is no obvious cause.</p> <ul style="list-style-type: none"> <li>■ Switch the dryer off and then on again.</li> <li>■ Start a program.</li> </ul> <p>If the program is interrupted again and an error message appears, there is a fault. Contact Miele Technical Service.</p>
<p><b>0:00 lights up and the program has been cancelled, a signal sounds.</b></p>	<p>The laundry is unevenly distributed or has rolled up.</p> <ul style="list-style-type: none"> <li>■ Untangle the laundry and remove a few items if necessary.</li> <li>■ Switch the dryer off and then on again.</li> <li>■ Start a program.</li> </ul>

## Frequently Asked Questions

---

### Unsatisfactory drying results

Problem	Possible cause and solution
<b>The laundry is not sufficiently dry.</b>	The load consisted of different types of fabric. <ul style="list-style-type: none"><li>■ Finish drying using the <i>Time Dry</i> program.</li><li>■ Select a more suitable program next time.</li></ul> Useful tip: You can alter the drying levels for some programs. See “Programmable functions“, sections “ <i>PDI</i> Drying levels “Normal”“ and “ <i>PDI</i> Drying levels “Wrinkle-free”“.
<b>The laundry or feather-filled pillows develop a smell after drying.</b>	The laundry was washed with insufficient detergent. Feathers have the property of developing a significant odor when they are warm. <ul style="list-style-type: none"><li>■ Laundry: use sufficient detergent.</li><li>■ Pillows: take out of the tumble dryer and air them.</li><li>■ Use a fragrance flacon (available as an optional accessory) for your favorite fragrance.</li></ul>
<b>Items made of synthetic fibers are charged with static electricity after drying.</b>	Synthetic fibers tend to attract static charge. <ul style="list-style-type: none"><li>■ Static charge can be reduced by adding a fabric softener to the final rinse in the washing program.</li></ul>
<b>There is a build-up of lint.</b>	Lint is principally the result of friction when garments are being worn and to some extent when they are being washed. Machine drying hardly causes any lint to form. Lint is collected by the lint filters and the plinth filter and can be removed easily. <ul style="list-style-type: none"><li>■ See “Cleaning and care”.</li></ul>



## Frequently Asked Questions

### The drying cycle duration is very long

Problem	Possible cause and solution
<p><b>The drying process goes on too long or even switches off.*</b></p>	<p>The room in which the tumble dryer is located is too warm.</p> <ul style="list-style-type: none"> <li>■ Ventilate the room thoroughly.</li> </ul>
	<p>Detergent residues, hair, and fine lint can clog the filters.</p> <ul style="list-style-type: none"> <li>■ Clean the lint filters and the plinth filter (see “Cleaning and care”, sections “Cleaning the lint filters” and “Cleaning the plinth filter”).</li> <li>■ Remove any visible lint from the heat exchanger (see “Cleaning and care”, “Cleaning the plinth filter”).</li> </ul>
	<p>The laundry is unevenly distributed or has rolled up. The tumble dryer has been overloaded.</p> <ul style="list-style-type: none"> <li>■ Untangle the laundry and remove a few items.</li> <li>■ Start a program.</li> </ul>
	<p>The cool air intake (bottom right grille) is blocked.</p> <ul style="list-style-type: none"> <li>■ Move any objects, such as a laundry basket, away from the dryer.</li> </ul>
	<p>The lint filters and the plinth filter were wet when replaced.</p> <ul style="list-style-type: none"> <li>■ The lint filters and the plinth filter must be dry.</li> </ul>
	<p>The laundry is too damp.</p> <ul style="list-style-type: none"> <li>■ Spin using a higher spin speed in the washing machine.</li> </ul>
	<p>Metallic components, e.g., zippers, have prevented the dryer from registering the correct moisture level.</p> <ul style="list-style-type: none"> <li>■ Open the zippers next time.</li> <li>■ If the problem recurs, dry these items using the <i>Time Dry</i> program.</li> </ul>

\* Switch the tumble dryer off and on again before starting a new program.

# Frequently Asked Questions

---

## Other problems

Problem	Possible cause and solution
<b>You can hear operating noises (buzzing/humming).</b>	This is not a fault. The compressor is operating. These noises are quite normal and can be heard when the compressor is operating.
<b>A program does not start.</b>	There is no obvious cause. <ul style="list-style-type: none"><li>■ Connect the power plug.</li><li>■ Turn on the tumble dryer.</li><li>■ Close the door.</li><li>■ Check whether the fuse has tripped.</li></ul> <hr/> <p>Power outage? When power is restored, any previously running program will restart automatically.</p>
<b>Only the <i>Start/Stop</i> sensor button is flashing.</b>	10 minutes after the end of the program, the <i>Start/Stop</i> sensor button will begin to flash and the display will go out to save energy. This is not a fault, but a normal function. <p>The drum will turn at intervals in the Anti-crease phase.</p> <ul style="list-style-type: none"><li>■ Touch a sensor button to switch on the indicators.</li></ul> <p>See “Programmable functions“, “// Display switch-off status”.</p>
<b>The tumble dryer is switched off at the end of the program.</b>	The dryer switches off automatically to save energy. This is not a fault, but a normal function. <ul style="list-style-type: none"><li>■ To switch the dryer on, select a program.</li></ul>
<b>The interior drum lighting does not come on.</b>	The drum lighting switches off automatically ... ... when the door is closed. ... after a few minutes when the door is open to save energy. <p>The drum lighting will come on when the door is opened if the dryer is switched on.</p>

## Contact in the event of a fault

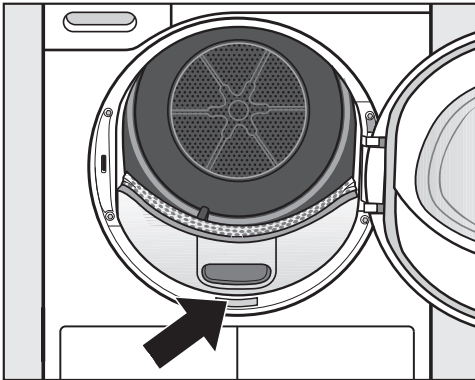
In the event of a fault which you cannot remedy yourself, please contact your Miele dealer or Miele Customer Service.

You can book a Miele Service Call online at [www.miele.com/service](http://www.miele.com/service).

Contact information for Miele Customer Service can be found at the end of this document.

Please quote the model identifier and serial number of your appliance (SN) when contacting Miele Customer Service. Both pieces of information can be found on the data plate.

Open the door of your tumble dryer to find the data plate:



## Appliance warranty and product registration

You can register your product and/or view the manufacturer's warranty terms and conditions for Miele appliances and vacuum cleaners at [www.mieleusa.com](http://www.mieleusa.com).

## Optional accessories

Optional accessories for this tumble dryer are available from your Miele dealer or Miele Technical Service.

You also can order these and many other useful products from the Miele online shop.

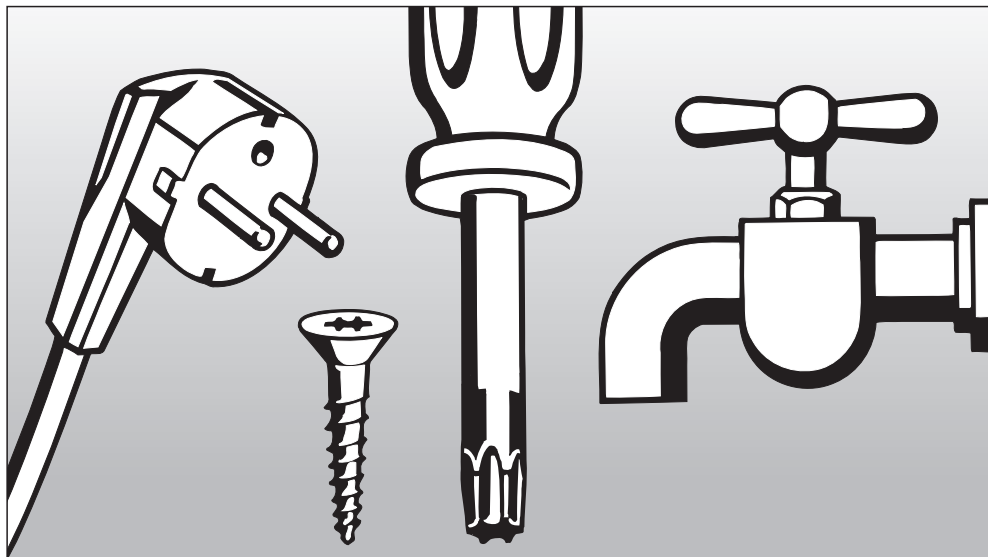
### Dryer basket

The dryer basket enables items which must not be subjected to mechanical action to be dried or aired.

### Fragrance flacon

A fragrance flacon can be used in your tumble dryer to add a pleasant fragrance to your laundry.

## Installation instructions



Alteration rights reserved.

Visit our website for all the current product specifications, technical appliance information, and warranty information.

To avoid accidents or damage to the appliance, please read these instructions before installing and/or using it.

## IMPORTANT SAFETY INSTRUCTIONS

### **WARNING - Risk of Fire**

- ▶ To reduce the risk of severe injury or death, follow all installation instructions.
- ▶ Clothes dryer installation must be performed by a qualified installer.
- ▶ Install the clothes dryer according to the manufacturer's instructions and local codes.
- ▶ Repair and maintenance work should be performed by a Miele authorized service technician. Work by unqualified persons could be dangerous and could void the warranty.
- ▶ Before installation, disconnect the tumble dryer from the electrical supply by shutting off the power main, unplugging the power cord or tripping the circuit breaker. Do not restore power until the installation is complete.

### ▶ **GROUNDING INSTRUCTIONS**

This appliance must be grounded. In the event of malfunction or breakdown, grounding will reduce the risk of electric shock by providing a path of least resistance for electric current. This appliance is equipped with a cord having an equipment grounding conductor and a grounding plug. The plug must be plugged into an appropriate outlet that is properly installed and grounded in accordance with all local codes and ordinances.

- ▶ **WARNING** – Improper connection of the equipment-grounding conductor can result in a risk of electric shock. Contact a qualified electrician if you are in doubt as to whether the appliance is properly grounded.
- ▶ Do not modify the plug provided with the appliance: if it will not fit the outlet, have a proper outlet installed by a qualified electrician.
- ▶ Do not use an extension cord to connect this appliance to the power supply. Extension cords do not guarantee the required safety of the appliance (e.g. danger of overheating).

## **IMPORTANT SAFETY INSTRUCTIONS**

---

- ▶ The installation of this unit in non stationary locations (e.g. ships) must be performed by a qualified installer or service agency, in strict accordance with national and local safety regulations and standards.
- ▶ Do not install the machine in rooms where temperatures below freezing may occur.
- ▶ This dryer is not intended for wall-insert.
- ▶ If there is any doubt concerning installation, contact Miele's Technical Service Department.

### **USA**

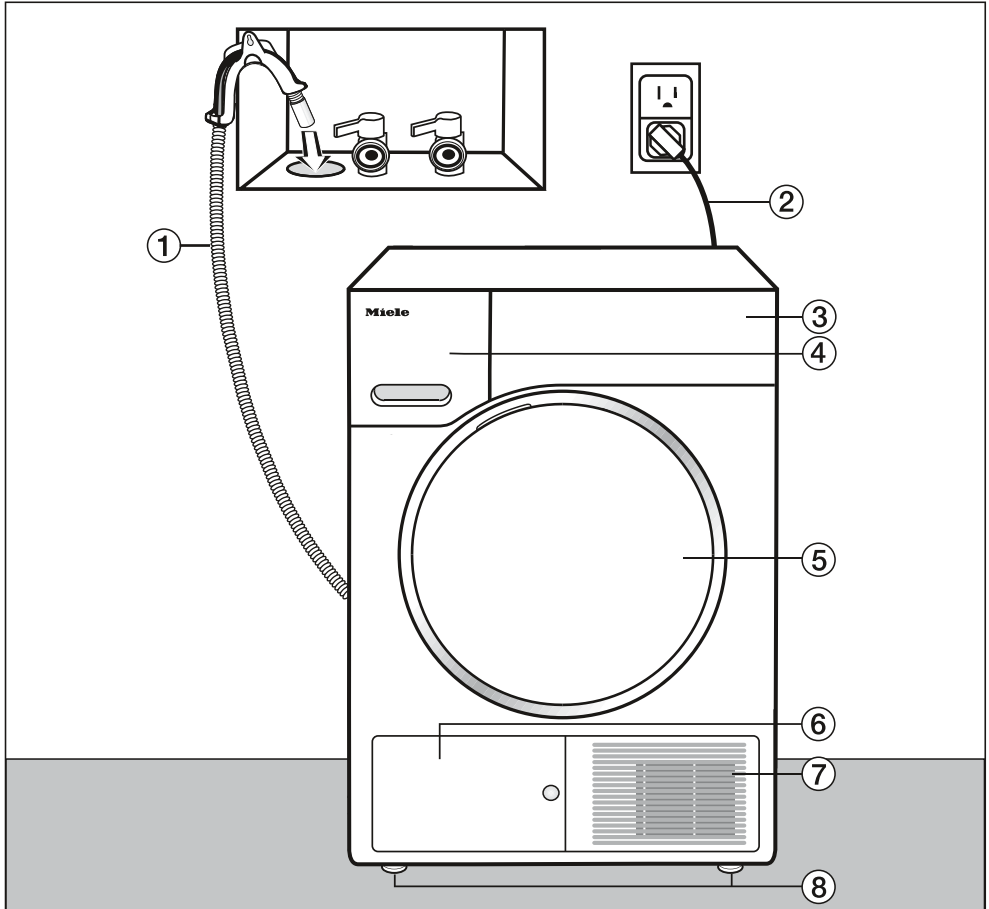
1-800-999-1360 TechService@mieleusa.com

### **CDN**

1-800-565-6435 service@miele.ca

## **SAVE THESE INSTRUCTIONS**

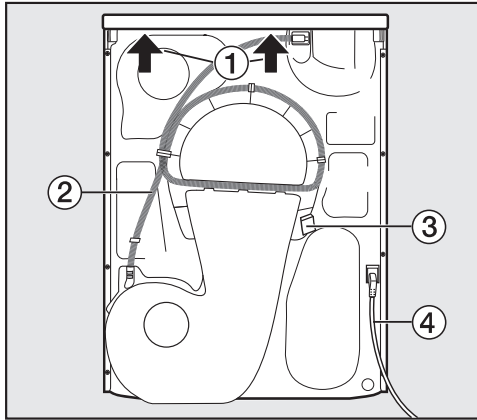
## Front view



- ① Drain hose for condensed water
- ② Power cord
  - ⚠ Observe the section entitled “Electrical connection”.
- ③ Control panel
- ④ Condensed water container
  - empty after every drying cycle
- ⑤ Door
  - do not open during drying
- ⑥ Access panel to the heat exchanger and plinth filter
  - do not open during drying
- ⑦ Cool air intake grille
  - do not obstruct with a laundry basket or other objects
- ⑧ Four height-adjustable screw feet


# Installation

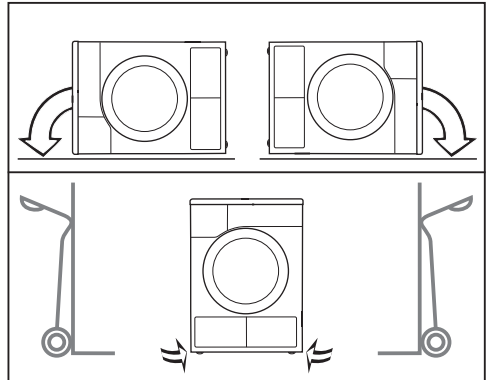
## Rear view



- ① Protruding lid for holding when moving the tumble dryer (see arrows)
- ② Drain hose for condensed water
- ③ Hook for winding the power cord during transport
- ④ Power cord


## Transporting the tumble dryer

 **Danger of injury to people and damage to property caused by moving the appliance incorrectly.**  
If the tumble dryer tips up, there is a danger of injury to people and damage to property.  
Ensure that the tumble dryer is stable during transportation.



- If the tumble dryer is being transported on its side, it must be tipped onto its left or right side.
- If the tumble dryer is being transported upright and you are using a hand truck, you must transport it with its left or right side resting on the truck.

## Transporting the tumble dryer to its installation site

 The fixings at the back of the lid may become brittle due to external circumstances.

There is a danger of the lid being pulled off when carrying the appliance.

Before carrying the appliance check that the lid is secure where it protrudes at the back of the appliance.

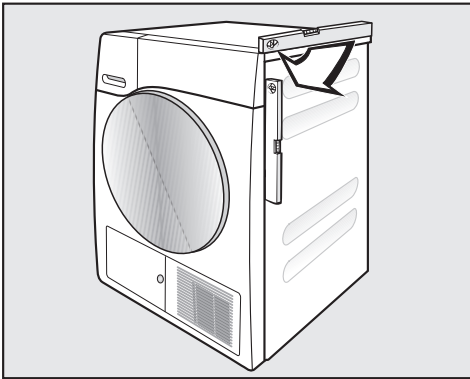
- Carry the tumble dryer by the front feet and by the lid where it protrudes at the back of the appliance.



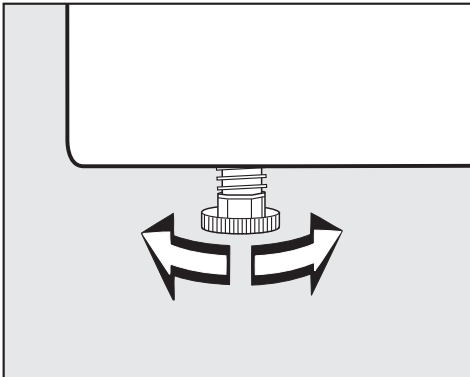
## Installation

### Leveling the tumble dryer

⚠ Ensure that no closeable door, sliding door, or an oppositely hinged door is installed that would hinder the door of the dryer being opened in any way.



The appliance must stand perfectly level to ensure safe and proper operation.



The screw feet can be adjusted to compensate for unevenness in the floor.

## Ventilation

The cool air intake at the front of the dryer must not be blocked or covered. This would hinder a sufficient intake of cool air for the heat exchanger.

Do not block the gap between the bottom of the tumble dryer and the floor with toe kicks, deep pile carpet, etc. This would otherwise hinder a sufficient flow of air to the tumble dryer.

The hot air that is blown out from the heat exchanger warms the room air. Ensure sufficient ventilation of the room, e.g., open the window. The drying time will otherwise take longer (higher energy requirement).

### Before moving the tumble dryer again

A small quantity of condensed water that remains in the area around the pump after the drying process can run out if the dryer is tilted.

Recommendation: Start the *Time Dry* program for approx. 1 minute before transporting the dryer. Any remaining condensed water will then be fed into the condensed water container (which you will need to empty again) or out through the drain hose.

# Installation

## Additional installation requirements

**⚠** All installations must be carried out in accordance with local regulations.

### Slot-in

This tumble dryer is suitable for pushing under a countertop.

**⚠** It is very important to avoid a build-up of heat. The warm air which is expelled from the dryer must be able to dissipate. Warm air which cannot dissipate could cause a fault.

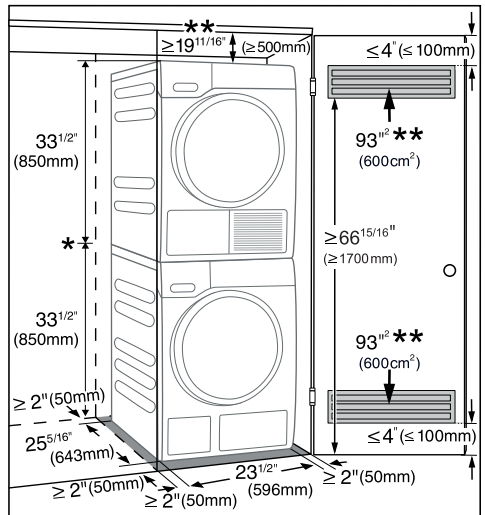
- The appliance lid must not be removed.
- The electrical socket must be located in an accessible position near the tumble dryer.
- Drying durations may increase slightly.

## Installing the dryer in a closet

### Minimum installation distance

**⚠** You must insert sufficiently large ventilation openings into the closet door. You can also open the closet door slightly while the dryer is operating.

Otherwise, the dryer can overheat, which can cause a fault.



\* Height with Stacking Kit  
 WTV502 = 67 3/8" (1711 mm)  
 WTV512 = 71 1/8" (1806 mm)


\*\* If it is not possible to fulfill the dimension specification you may have longer drying and process time.

**⚠** Ensure that the dryer door can be opened at any time. Ensure that the laundry can be removed at any time without hindrance.

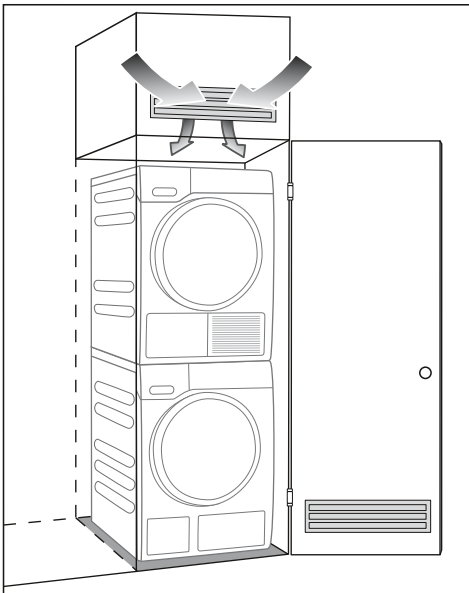
## Installing the dryer in a floor-to-ceiling closet

You can also insert a ventilation opening at the top of the closet. In addition, you must also provide an opening on the bottom side of the closet door.

Direct ventilation is also possible via an air conditioning outlet in the closet.

 The air must be able to circulate freely at the top of the closet.

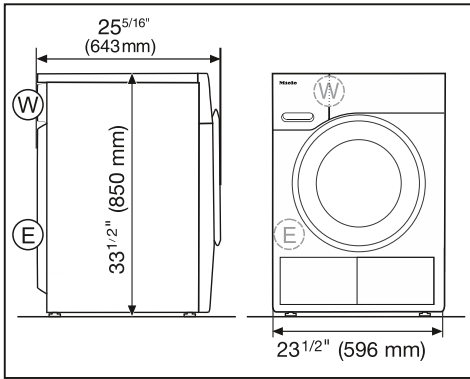
The air supply must not be hindered by a shelf.



# Installation

## Product dimensions

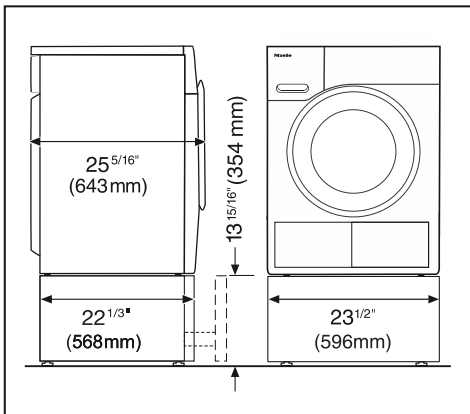
### Dimensions



- Ⓜ 5.2 ft (1.6 m) drain hose, detachable, top right on the rear
- ⓔ 6.5 ft (2 m) power cord, bottom right on the rear

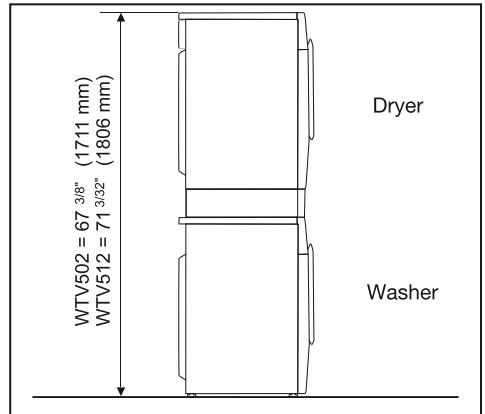
## Installation on a plinth

- WTS 510



## Washer-dryer stack

- WTV502 or WTV512



## Electrical connection


### GROUNDING INSTRUCTIONS

The electrical safety of this dryer can only be guaranteed when continuity is complete between it and an effective grounding system. It is essential that this standard safety requirement is observed and regularly tested. If in any doubt, please have the electrical installation inspected by a qualified electrician. Miele cannot be held liable for the consequences of an inadequate grounding system. The electrical socket must be easily accessible so that the dryer can be disconnected from the electricity supply. **WARNING** – If the grounding conductor is connected incorrectly, this can result in electric shock. Contact a qualified electrician if you are unsure whether the appliance is properly grounded.

Do not change the plug: If it does not fit into the socket, you should have a proper outlet installed by a qualified electrician.

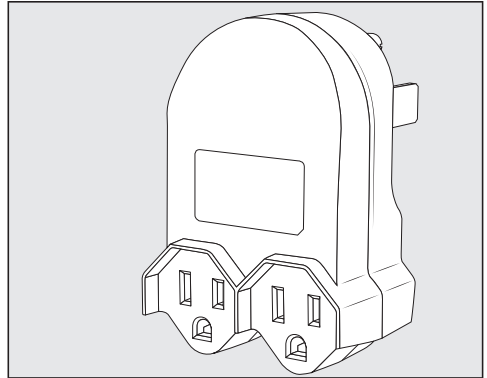
The dryer is equipped with a power cord 6' 7" (2 m) with plug. The dryer is connected to a NEMA 5-15 socket with an electrical connection of 120 V, 60 Hz, 15 A.

## Connection adapter for NEMA 14-30 socket

 If a NEMA 14-30 socket is provided on-site for the dryer, the Miele connection adapter\* can be used.

Observe the following description to avoid damage to the dryer.

**Tip:** You can order the connection adapter directly from Miele (USA or CDN).



- The connection adapter has a NEMA 14-30 plug and two NEMA 5-15 socket-side connectors. The dryer and washing machine can therefore be connected to the 120 V / 60 Hz electricity supply.
- The connection adapter is equipped with two 15 A fuses which protect both the connected appliances and the connection adapter.

# Installation

## External draining of condensed water


### Note

When drying is in progress, condensed water is pumped into the condensed water container through the drain hose which is located at the back of the dryer.

The condensed water can also be externally drained away via the drain hose on the back of the dryer. This means that the condensed water container no longer has to be emptied.

Drain hose length: 5.2 ft (1.6 m)  
Maximum delivery head: 3.3 ft (1 m)  
Maximum drain hose length: 13 ft (4 m)

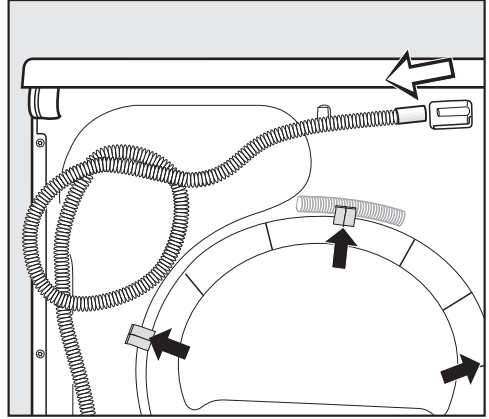
### Arranging the drain hose

 Damage to the drain hose through incorrect handling.

The drain hose can suffer damage and leak.

Do not pull on the drain hose and do not stretch it or allow it to become kinked.

There will be a small amount of residual water left in the drain hose. Have a container ready to collect this.




- Pull the drain hose off its connection (light arrow).
- Pull the hose out of the holders (dark arrow) and unwind it.
- Allow any residual water to run into a container.

### Condensate drain

The drain hose on the back of the dryer can be inserted into the stand pipe.

- Attach the end of the hose to the stand pipe.

 Secure the drain hose carefully (e.g., by tying it) to make sure it cannot slip.

Overflowing water can cause damage.

## Changing the door hinging

You can change the door hinging on this tumble dryer yourself.

For safety reasons, the tumble dryer must be disconnected from the electricity supply before changing the door hinging.

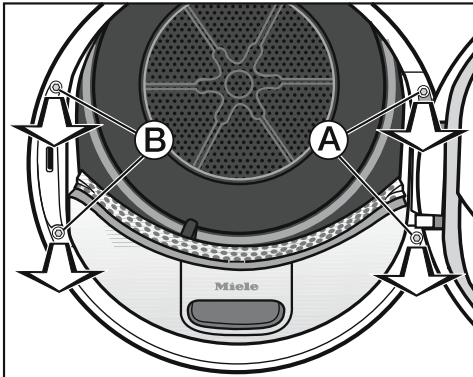
You will need:

- a Torx T20 and T30 screwdriver
- a flat head screwdriver or pointed pliers
- the lock catch cover supplied
- the door hinge cover supplied
- a soft surface (e.g., a blanket)

### Changing the hinging over

#### 1. Remove the door from the tumble dryer

- Open the door.



- Use a T30 Torx screwdriver to unscrew the two screws on the base plate of the door hinge (A).

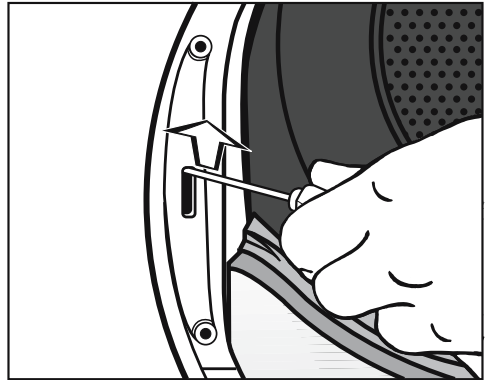
The door cannot fall off.

- Hold the door securely and pull it forwards: to remove the door you will need to pull the base plate of the hinge with its 2 pins out of the dryer.

⚠ To avoid scratching the door, place it outer side downwards on a soft surface (e.g., a blanket).

#### 2. Change over the door lock on the dryer

- Use a Torx T30 screwdriver to unscrew the two screws on the door lock (B).

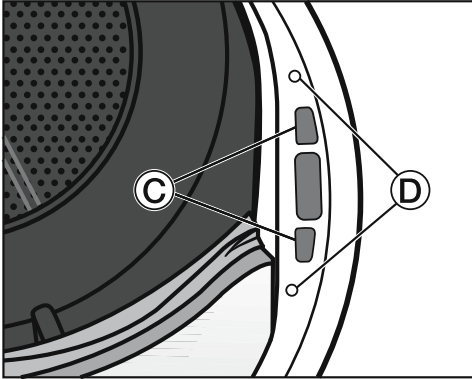


- Use the screwdriver to press the door lock upwards.

The door lock will spring out of its position and can then be removed.

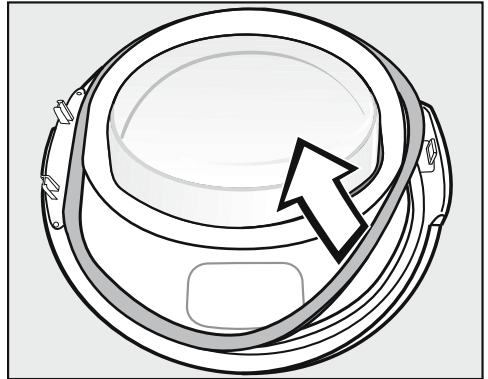
# Installation

- Turn the door lock by 180°.

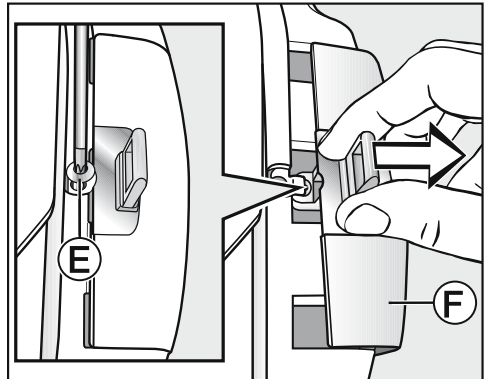


- Press the door lock into the openings ③ on the opposite side of the door opening.
- Adjust the position of the door lock so that the screw holes line up with those in the front panel of the dryer ④.
- Screw in both Torx screws in order to secure the door lock.

## 3. Remove the lock catch from the door

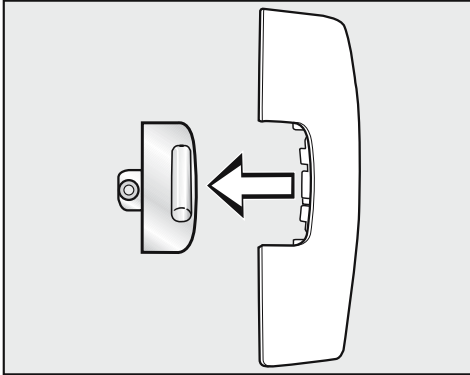


- First take the rubber seal off the door and place this to one side.



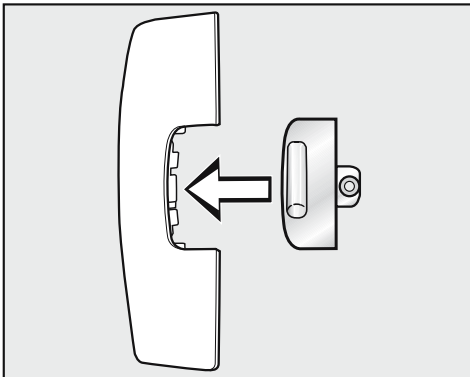
- Use a T20 Torx screwdriver to remove screw ⑤ on the lock catch.
- Pull off the lock catch together with the lock catch cover ⑥.





- Remove the lock catch from the cover.

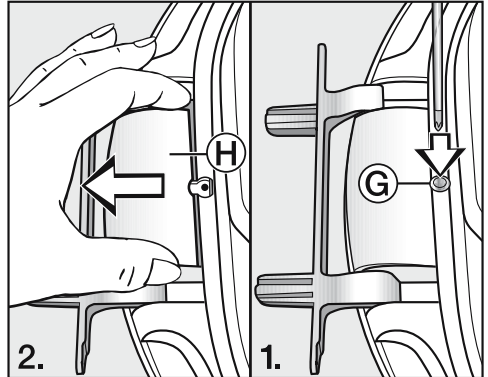
This lock catch cover is no longer needed.



- Insert the lock catch into the new cover supplied with the dryer.
- Place this new lock catch cover to one side for now.

## 4. Dismantle the door hinge from the door

The door hinge cover must be unclipped from position ③ and then removed.



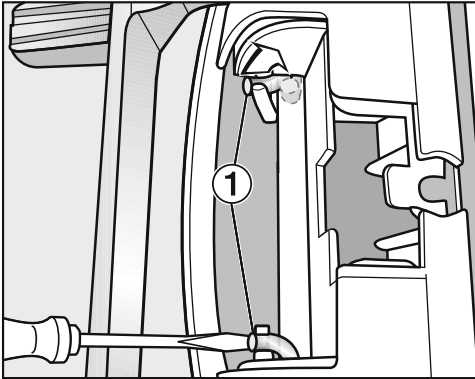
- Use a screwdriver to press down gently on position ③ on the door hinge cover.
- Using a little force, pull out door hinge cover ④.

This lock catch cover is no longer needed.

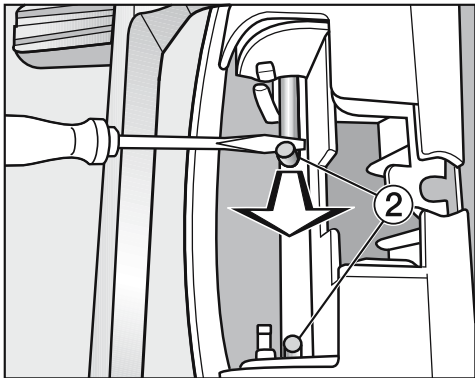
# Installation

## 5. Change the door hinge on the door

The door hinge is secured to the door with 2 angled rods. These rods need to be removed with a screwdriver or pointed pliers.



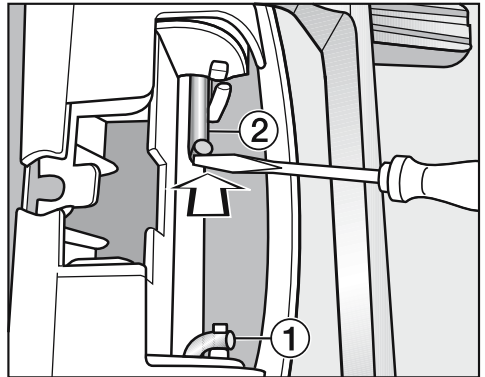
- Insert the end of the screwdriver blade under rod ① and rotate it so it is in an upright position. Do the same to the other rod.




- Use the screwdriver or pointed pliers to guide first one then the other rod ② to the middle until each can be removed.

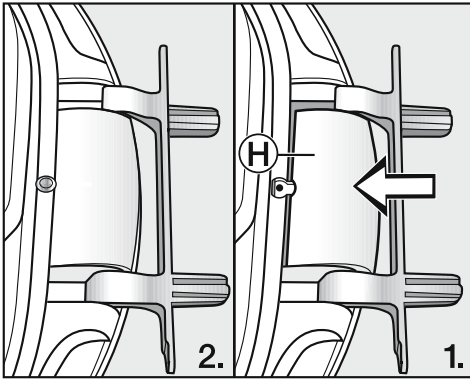
**Tip:** In some circumstances, the rods can be difficult to dislodge. Moving the screwdriver with a levering action while pulling at the same time may help to work the rods free.

- Remove the door hinge and turn it by 180°.
- Refit the door hinge on the opposite side of the door.




- Secure the door hinge with the two rods ②.
- Position the screwdriver under the end of the rod and then push it into its resting position ①.

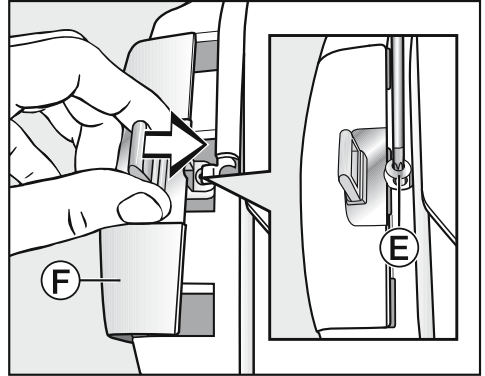
 You now need the new door hinge cover supplied with the dryer.



- Fit new door hinge cover **H** and clip it into position.

## 6. Change the lock catch on the door

 You now need the new lock catch cover supplied with the dryer which you have already fitted with the lock catch.

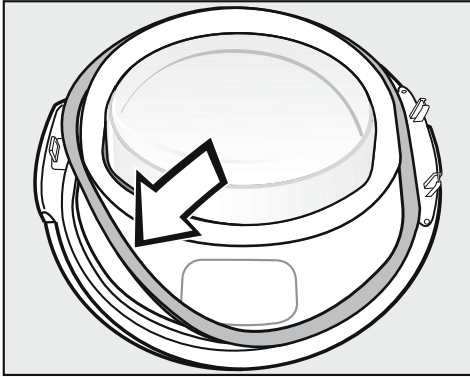


- Push the lock catch cover **F** with its lock catch into position.
- Tighten the screw **E**.

# Installation

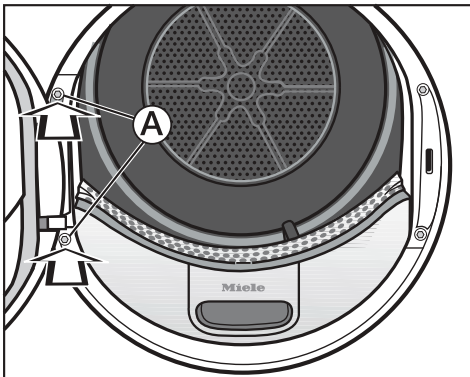
## Refitting

### 7. Refit the door



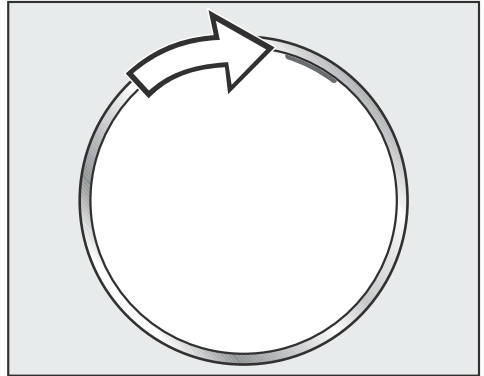
- Press the rubber seal back into the groove on the door.
- Position the door in front of the dryer.
- Fit the base of the door hinge with its 2 pins into the openings on the dryer.

The base of the door hinge must be flush with the front panel of the dryer. The door cannot fall off in this position.



- Screw the door securely to the dryer at the base of door hinge (A).

⚠ Now that you have changed the door hinging, the door will open from the opposite side.



- Push the orange marker round to the other side so that you will see at which side to pull the door open.

⚠ Please keep the lock catch and door hinge covers which were no longer needed in a safe place. These will be required if you choose to change the door hinging back to its original position.

## Technical data

Height	33 7/16" (850 mm)
Width	23 7/16" (596 mm)
Depth	25 5/16" (643 mm)
Depth with door open	42 3/8" (1077 mm)
Slot-in	Yes
Stackable	Yes
Weight	Approx. 137 lbs (62 kg)
Drum volume	31.7 gal (120 l)
Load quantity	17.6 lb (8 kg) dry laundry
Capacity of condensed water container	1.27 gal (4.8 l)
Hose length	63" (1.60 m)
Maximum head height	39 1/3" (1.00 m)
Maximum drain hose length	157 1/2" (4 m)
Length of wiring	78 3/4" (2 m)
Connection voltage	See data plate
Power rating	See data plate
Fuse	See data plate
Test certificates awarded	See data plate
LEDs	Class 1

# Programmable functions

## Programming

You can use the programmable functions to alter the dryer's electronics to suit your requirements.

Programming is carried out in these steps (1, 2, 3 ... 9) using the sensor buttons.

### Accessing the programming level

Before you begin, ensure the following:

- The dryer is switched on and any program is selected.
  - The door of the dryer is open.
- 1 Touch the *Start/Stop* sensor button and hold it down during steps 2-3.
  - 2 Close the dryer door.
  - 3 Wait until the *Start/Stop* sensor button, which will now be flashing quickly, lights up constantly ...
  - 4 ... and then release the *Start/Stop* sensor button.

*P01* will light up on the time display.

## Choosing and selecting programmable functions

The number of the programmable function will appear on the display as *P* and a number: e.g., *P01*.

- 5 Touch the > or < sensor button to scroll to the next or previous programmable function:

Programmable function	
<i>P01</i>	Drying levels "Normal"
<i>P02</i>	Drying levels "Wrinkle-free"
<i>P05</i>	Buzzer volume
<i>P06</i>	Keypad tone
<i>P07</i>	Code
<i>P08</i>	Conductivity
<i>P11</i>	Display switch-off status
<i>P12</i>	Appliance switch-off
<i>P13</i>	Memory
<i>P14</i>	Anti-crease
<i>P19</i>	Buzzer on
<i>P20</i>	Airway indicator
<i>P23</i>	Display brightness dimmed

- 6 Confirm the selected programmable function by touching the *Start/Stop* sensor button.

# Programmable functions

## Editing and saving the programmable function

You can either switch a programmable function on or off or select different options.

The programmable function option will appear on the display as - and a number:  
e.g., -00.

- 7 Touch the > or < sensor button to switch the programmable function on/off or to select an option:

Programmable function	Available options							
	-00	-01	-02	-03	-04	-05	-06	-07
	P01		X	X	X	✓	X	X
P02		X	X	X	✓	X	X	X
P05		X	✓					
P06	X	✓						
P07	✓	X						
P08		✓	X					
P11	X		✓					
P12		✓	X	X				
P13	✓	X						
P14	✓	X	X					
P19	X	✓						
P20	X	X	✓	X				
P23		X	✓	X	X	X	X	X


X = Can be selected

✓ = Factory setting

- 8 Confirm the chosen selection with the *Start/Stop* sensor button.

The number of the programmable function, e.g., P01, will then light up again.

## Exiting the programming level

- 9 Turn the program selector to the  position.

The settings have been changed. You can alter the settings again at any time.

# Programmable functions

---

## P01 Drying levels “Normal”

You can adjust the drying levels for the *Normal* program to one of seven different levels.

### Options

- 01 = Even damper
- 02 = Damper
- 03 = A little damper
- 04 = **Factory setting**
- 05 = A little drier
- 06 = Drier
- 07 = Even drier

Exception:

The *Normal*  program will remain unchanged.

## P02 Drying levels “Wrinkle-free”

You can adjust the drying levels for the *Wrinkle-free* program to one of seven different levels.

### Options

- 01 = Even damper
- 02 = Damper
- 03 = A little damper
- 04 = **Factory setting**
- 05 = A little drier
- 06 = Drier
- 07 = Even drier

## P05 Buzzer volume

The buzzer volume can be changed. You will hear it as it changes.

- 01 = Quieter
- 02 = **Factory setting**

## P06 Keypad tone

With this setting, you can activate/deactivate the signal tone that will sound each time a sensor button is touched.

The volume of the keypad tone will depend on the setting selected for “P05 Buzzer volume”.

### Options

- 00 = Off
- 01 = **On (factory setting)**

If a selection is not allowed, a negative signal tone sounds.



## P07 Code

The code prevents your dryer being used without your knowledge.

When the code has been activated, you have to enter the code after switching the dryer on. Otherwise, the dryer cannot be operated.

### Options

-00 = **Off (factory setting)**

-01 = On

If the -01 option has been selected, after switching on you will have to enter the code before you can operate the dryer.

### **Using the dryer when the code is activated**

After the dryer is switched on, --- will flash on the time display.

The code is 250 and cannot be altered.

- Touch the > sensor button until a 2.. flashes in the first position.
- Confirm with the *Start/Stop* sensor button.
- Enter the two other numbers in the same way.

The dryer is ready for use after 250 has been entered and confirmed.

## P08 Conductivity

This programmable function should only be altered if the water is so soft that it is likely to cause the electronics which sense residual moisture in the laundry to give false readings.

### Options

-01 = **Off (factory setting)**

-02 = Low

### Important

This programmable function should only be set if the water used for washing the laundry is extremely soft with a conductivity reading (electrical conductivity) of less than 150 µS/cm. Contact your local water supplier for the conductivity level of your water supply.

Make sure that you only activate -02 for the condition described above. Otherwise, drying results can be unsatisfactory.

# Programmable functions

---

## *P11* Display switch-off status

To save energy, the time display and sensor buttons will go out after 10 minutes, and only the *Start/Stop* sensor button will flash. You can alter this setting.

However, there is no switch-off in the event of a fault.

### Options

-00 = Off

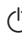
The time display and sensor buttons will remain lit up while the dryer is switched on.

-02 = **On (factory setting)**

The time display and sensor buttons will go out after 10 minutes. . .  
. . . if no further selection is made after switching the dryer on.  
. . . after a program has started.

However, the time display and sensor buttons will remain lit up for 10 minutes after a delay start time has elapsed, after the end of a program, or at the end of the Anti-crease phase.

### “Switching on” the display again

- Turn the program selector to any position (other than ) or touch a sensor button. This will not alter a running program.
- Open the door while the dryer is switched on.

## *P12* Appliance switch-off

The dryer switches off automatically after 15 minutes to save energy. This time can be extended or reduced.

The dryer will switch off automatically after 15, 20, or 30 minutes

- if no further selection is made after switching the dryer on,
- following the end of the Anti-crease phase,
- after a program without an Anti-crease phase has finished.

However, there is no switch-off in the event of a fault.

### Options

-01 = **After 15 minutes (factory setting)**

-02 = After 20 minutes

-03 = After 30 minutes

## P13 Memory

You can set the following: The electronic module will save the drying level and any options selected for the current drying program. It will also save the duration of the *Time Dry* program. When the program is selected again, these saved settings will appear on the display.

### Options

-00 = **Off (factory setting)**

-01 = On

Exception:

The *Normal*  program will remain unchanged.

## P14 Anti-crease

After the drying cycle has finished, the drum will continue to rotate in a special Anti-crease rhythm for a max. of 2 hours. This helps to prevent creasing if the laundry is not removed immediately after the end of a program. The duration can be shortened.

### Options

-00 = **No Anti-crease (factory setting)**

-01 = 1 hour

-02 = 2 hours

## P19 Buzzer on

The buzzer sounds to let you know the program has finished. It can be switched on or off.

The continuous tone which sounds when there are error messages is independent of the buzzer.

### Options


-00 = Off

-01 = **On (factory setting)**

# Programmable functions

---


## P20 Airway indicator

Lint should be removed after drying. The  indicator light will also come on when a certain amount of lint has collected in the filters. You can decide at what level of lint this reminder should be given.


You will have an idea of how often this should be done after a few drying programs.

### Options

-00 = Off


The  indicator light does not come on. However, if there is a very severe blockage in the ducting, the program will be cancelled and the error message *F 055* will appear on the display regardless of this option.

-01 = Heavy

The  indicator light will come on when there is a heavy build-up of lint.

-02 = **Normal (factory setting)**

-03 = Light

The  indicator light will come on when there is only a small build-up of lint.

## P23 Display brightness dimmed

The brightness of the dimmed sensor buttons on the display can be set to one of seven different levels.

The brightness will change as soon as a different setting is chosen.

### Options

-01 = Darkest level

-02 = **Factory setting**

...

-07 = Brightest level





**Please have the model and serial number  
of your appliance available when  
contacting Customer Service.**

---

## **U.S.A.**

**Miele, Inc.**

### **National Headquarters**

9 Independence Way  
Princeton, NJ 08540  
Phone: 800-843-7231  
Fax: 609-419-4298  
[www.mieleusa.com](http://www.mieleusa.com)

### **Customer Service & Support**

Phone: 888-99-MIELE(64353)  
Fax: 888-586-8056  
[service@mieleusa.com](mailto:service@mieleusa.com)

### **International Headquarters**

Miele & Cie. KG  
Carl-Miele-Straße 29  
33332 Gütersloh  
Germany

## **Canada**

**Importer  
Miele Limited**

### **Headquarters and Miele Centre**

161 Four Valley Drive  
Vaughan, ON L4K 4V8  
[www.miele.ca](http://www.miele.ca)

### **Customer Care Centre**

Phone: 800-565-6435  
905-532-2272  
[customercare@miele.ca](mailto:customercare@miele.ca)

TWB 120 WP

en-US

M.-Nr. 10 974 051 / 01