

Clean Touch Steel
24" Whole Bean Coffee System

CVA 6401



Whole Bean Coffee System

CVA 6401



CVA 6401

Features:

- DirectSensor controls: choose an operating mode with a single touch of one of the symbols on the left of the display. The touch component to the right of the display is used to navigate through the different levels.
- OneTouch function prepares beverage with the touch of a button
- OneTouch for Two operation dispenses two cappuccino or latté macchiato drinks, coffee or espresso simultaneously
- EasyClick Milk System simply clicks the milk reservoir into and out of place at the front of the machine
- Dishwasher-safe milk flask
- Automatic rinsing and cleaning programs
- Up to 10 user profiles
- The coffee pot function allows up to 8 cups of coffee to be brewed at one time
- BrilliantLight
- Timer function
- Ground coffee chute for whole bean bypass
- Removable brew unit for easy cleaning
- Removable water tank

SPECIFICATIONS

CVA 6401 — Item 29640150USA

Overall Unit Width - Excluding Fascia Dimension	21 ⁷ / ₁₆ " (545 mm)
Overall Unit Height - Excluding Fascia Dimension	17 ¹ / ₂ " (445 mm)
Overall Unit Depth - Excluding Fascia Dimension	18 ¹ / ₈ " (460 mm)
Door Depth When Open	23 ⁷ / ₁₆ " (594 mm)
Overall Fascia Dimensions	23 ⁷ / ₁₆ " (595 mm) W x 17 ¹⁵ / ₁₆ " (455.5 mm) H x 1 ³ / ₁₆ " (22 mm) D

Built-In

Minimum Cabinet Width	22 ¹ / ₁₆ " (560 mm)
Minimum Cabinet Depth	21 ⁵ / ₈ " (550 mm)
Minimum Cabinet Height	17 ¹¹ / ₁₆ " (450 mm)
Minimum Base Support	62 lbs

Additional Cut-outs Required	Venting: 19 ¹¹ / ₁₆ " (500 mm) x 1 ⁹ / ₁₆ " (40 mm) or 31" in ² (200 cm ²)
------------------------------	---

Electrical

Electrical Requirements	120V, 60Hz, 15A
Power Cord	Molded NEMA 5-15A plug, 6 ft (1.8 m)

Shipping

Shipping Weight	70 lbs
Shipping Dimensions	23 ⁵ / ₈ " W x 22 ¹ / ₁₆ " H x 26" L

Support

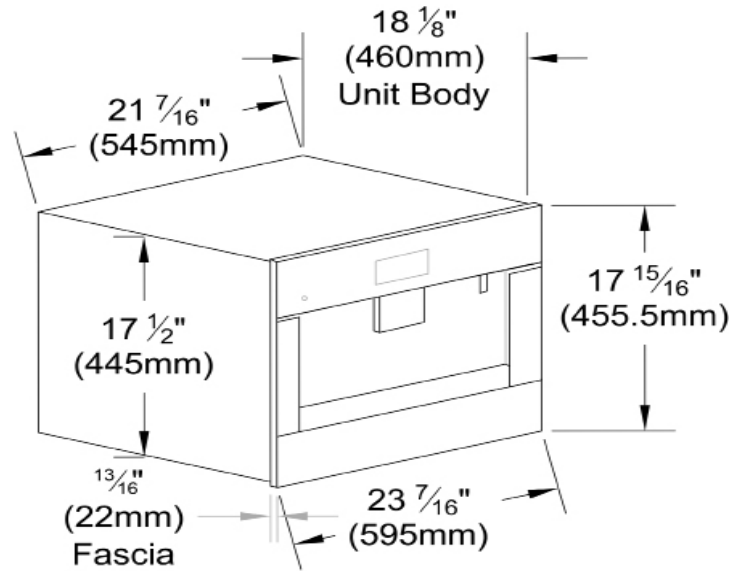
Call Miele	800.843.7231
Miele Website	www.mieleusa.com
20/20 Link	2020technologies.com

Whole Bean Coffee System CVA 6401

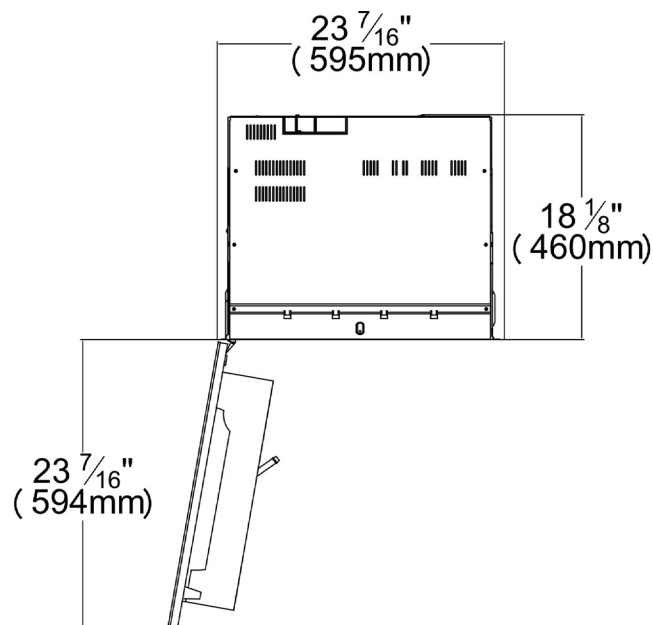


PRODUCT VIEWS

Isometric View



Top View, Door Open

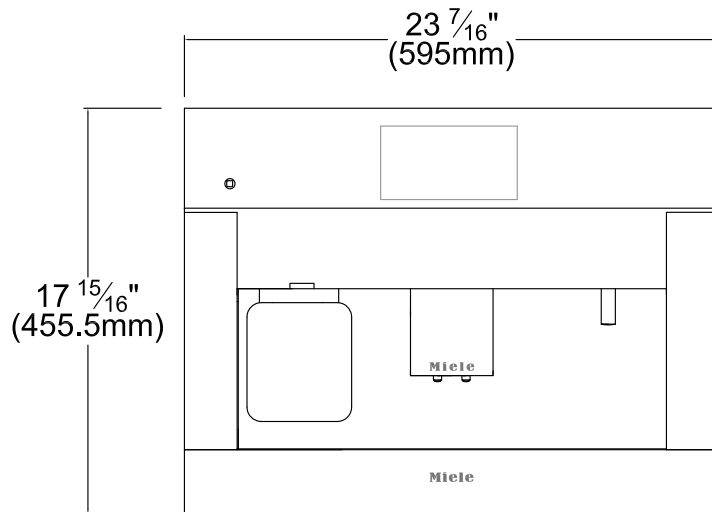


Whole Bean Coffee System CVA 6401

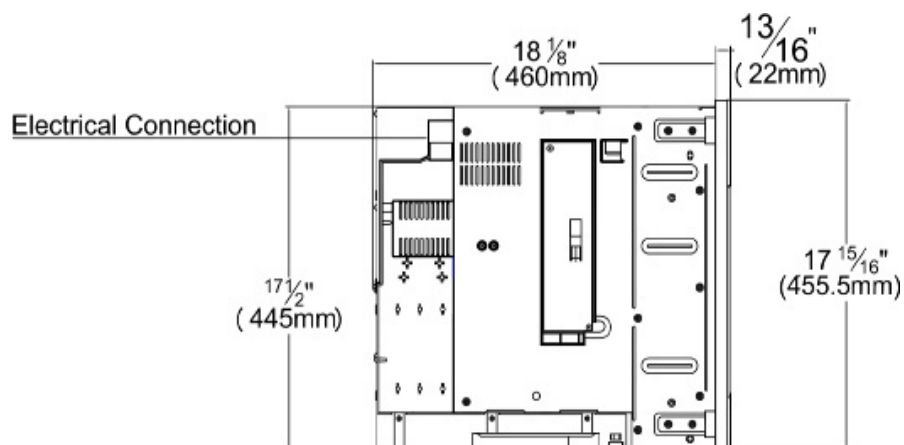


PRODUCT VIEWS

Front View

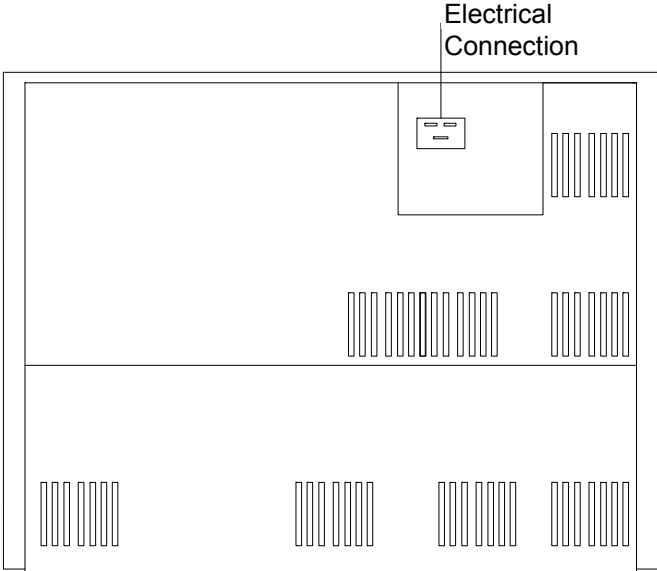


Side View

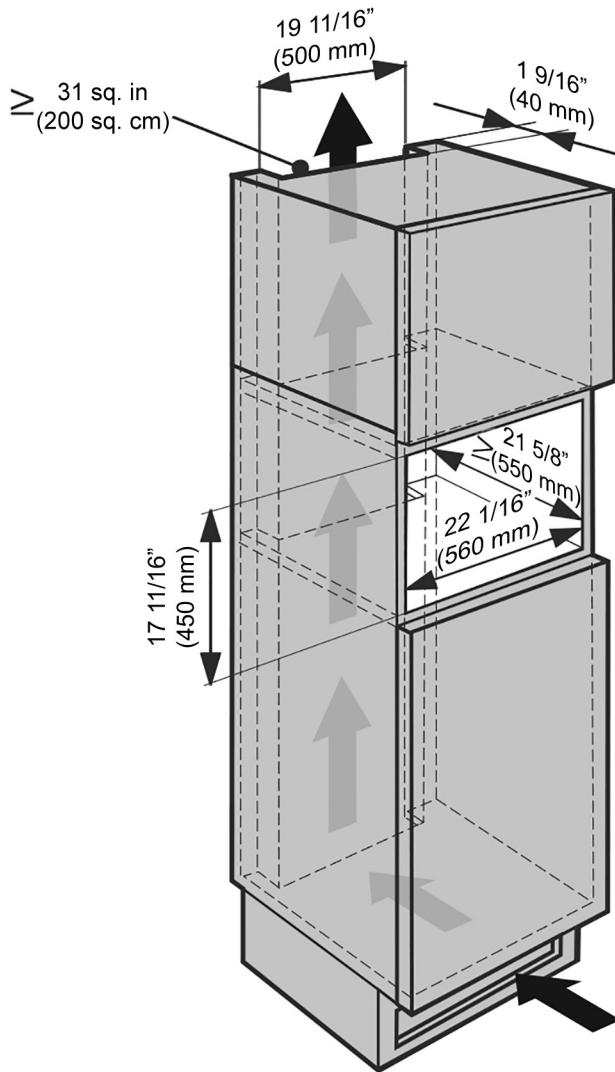


PRODUCT VIEWS

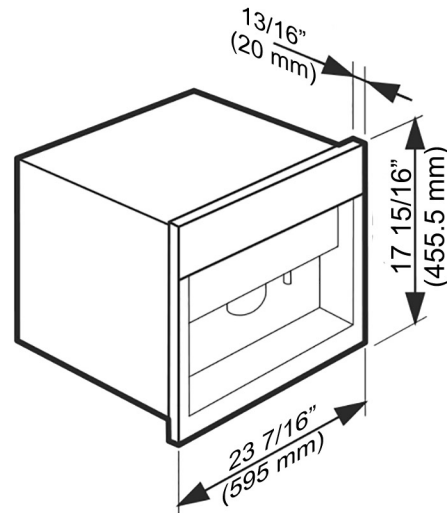
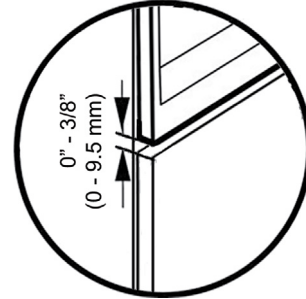
Rear View



INSTALLATION SPECIFICATIONS Cutout Dimensions

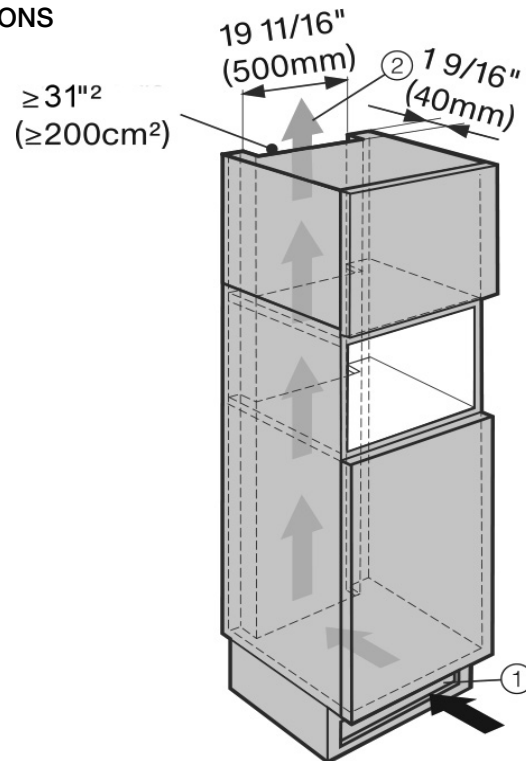


Lower gap adjustment detail when solo installed.
(Adjusted by feet of CVA unit.)

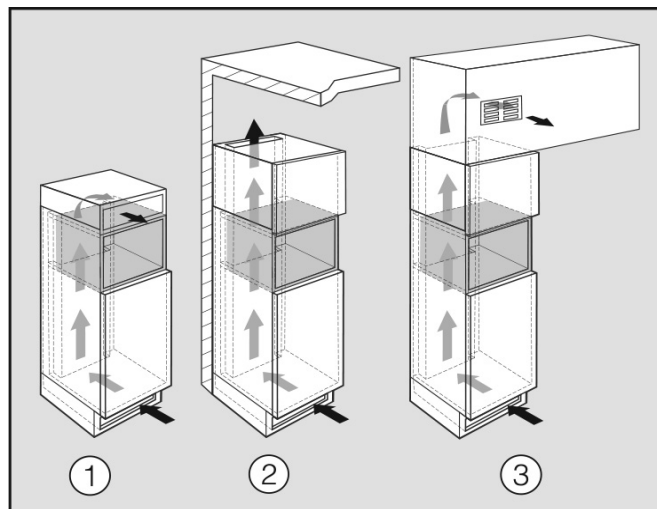


PLEASE NOTE: Condensation water can damage the coffee system or surrounding cabinets. The specified ventilation cross-sections absolutely must be observed.

INSTALLATION SPECIFICATIONS Ventilation Requirements



Air intake ① occurs via the plinth at the bottom of the appliance and the air escapes at the top ② at the rear of the surrounding cabinets.



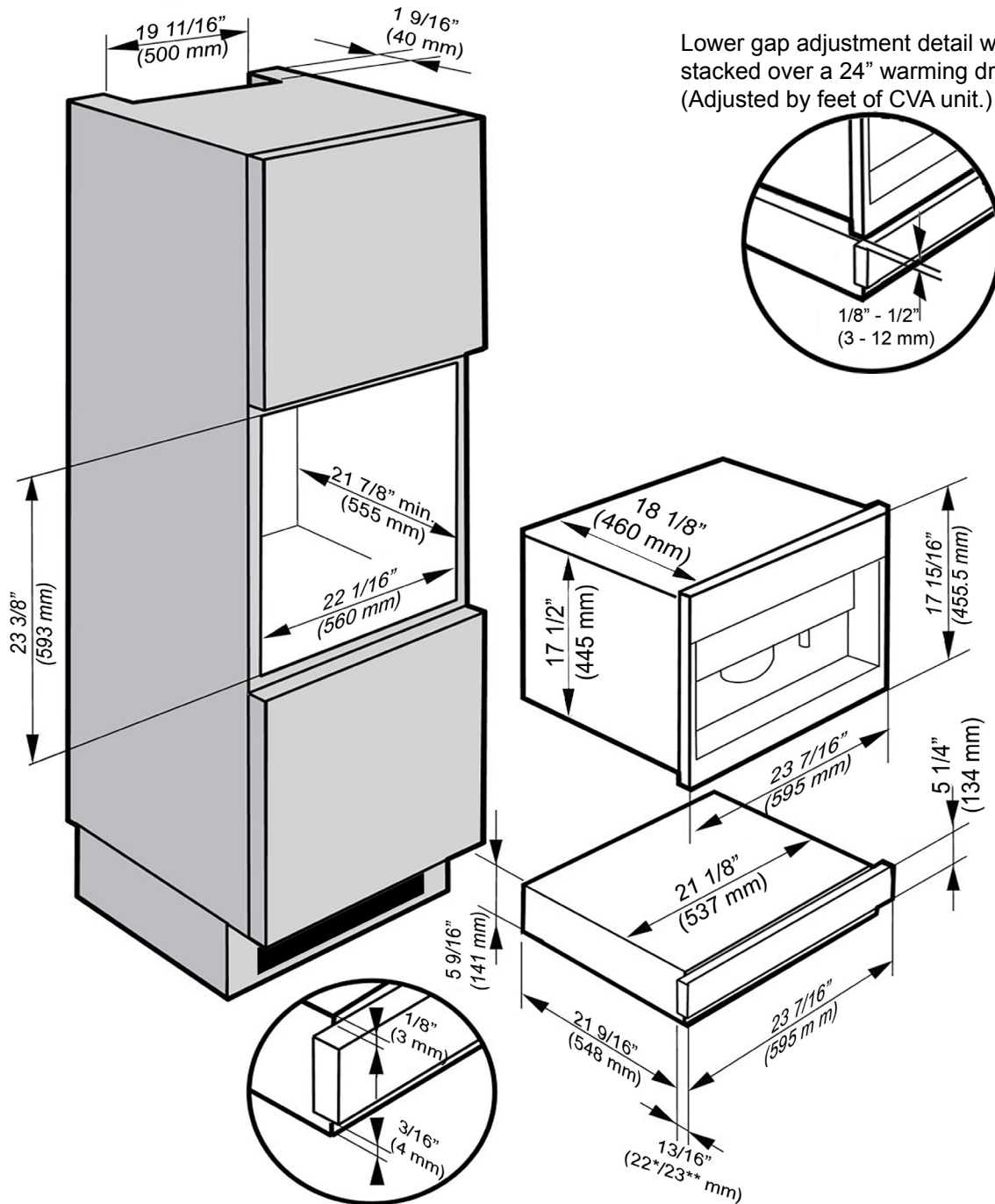
- ① directly above the coffee system with a ventilation grille (free airflow of at least 31 square inches / 200 cm²)
- ② between the surrounding cabinets and the ceiling
- ③ through a suspended ceiling

PLEASE NOTE: Condensation water can damage the coffee system or surrounding cabinets. The specified ventilation cross-sections absolutely must be observed.

Whole Bean Coffee System CVA 6401



INSTALLATION SPECIFICATIONS With Warming Drawer



PLEASE NOTE: Condensation water can damage the coffee system or surrounding cabinets. The specified ventilation cross-sections absolutely must be observed.