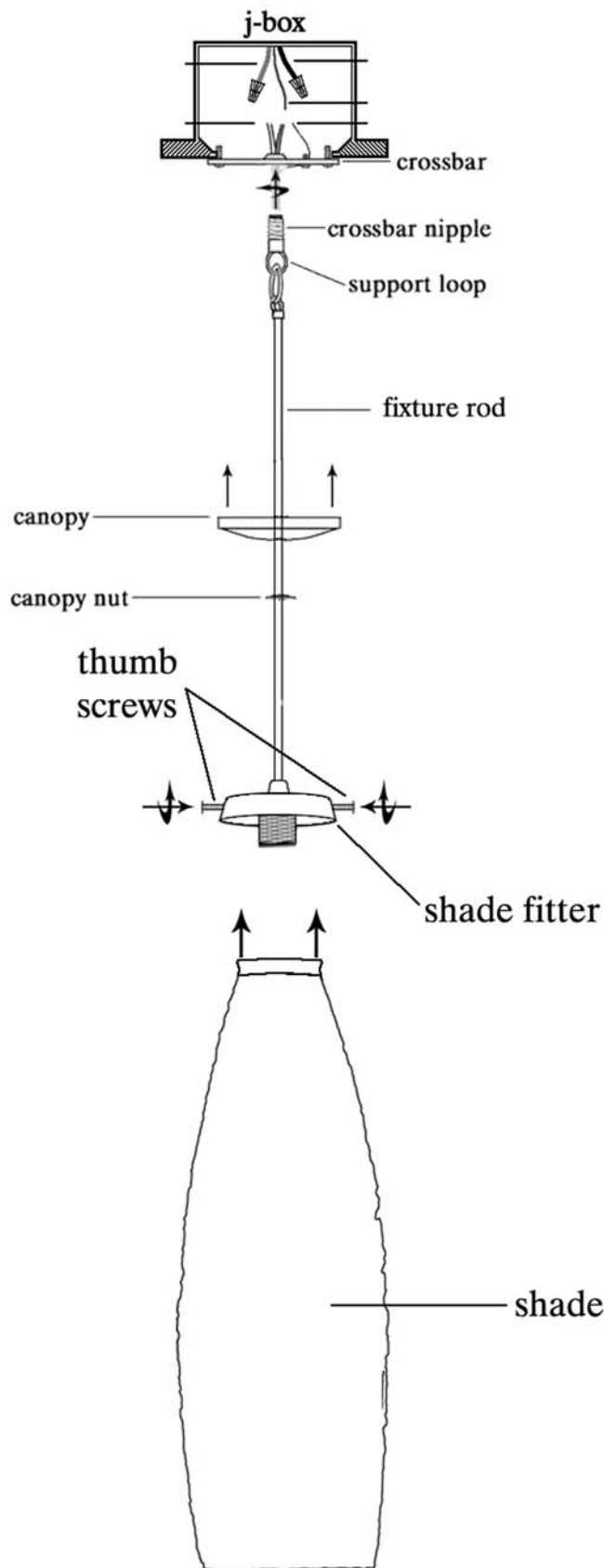


# ASSEMBLY INSTRUCTIONS FOR #81066 (SG110-07R-1-M291)



## IMPORTANT

TURN OFF THE POWER AT THE MAIN FUSE OR CIRCUIT BREAKER BOX BEFORE STARTING INSTALLATION

CAREFULLY UNPACK AND IDENTIFY ALL PARTS BEFORE ASSEMBLY. BULBS ARE NOT INCLUDED

1. Attach crossbar w/crossbar nipple to j box.
2. Place canopy nut, canopy on to fixture rod, attach fixture rod to support loop. Wire as per local electrical code. Slide canopy up to ceiling and secure with canopy nut. Place shade into shade fitter and secure with thumb screws.



*"A Commitment to Excellence in Lighting and Service"*

CALL OUR CUSTOMER SERVICE DEPARTMENT AT 1-800-222-4009

MONDAY - FRIDAY 8:00 a.m. - 6:00 p.m. ET

visit us on the web at [www.meyda.com](http://www.meyda.com)