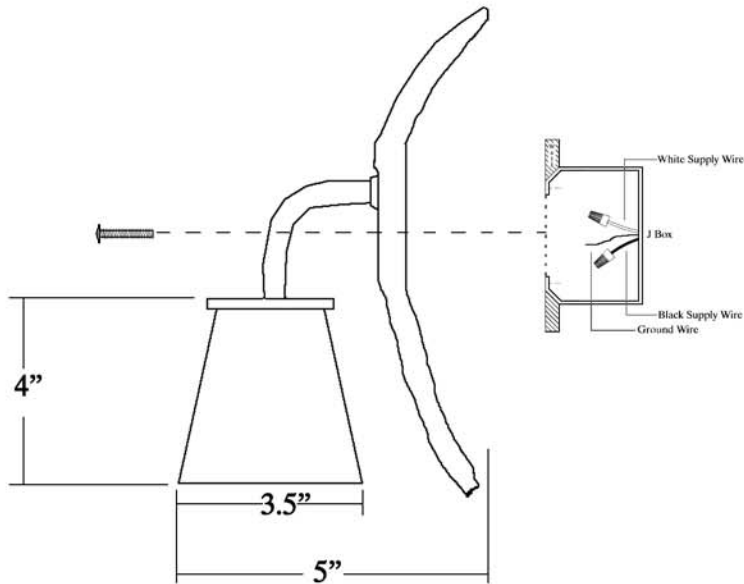
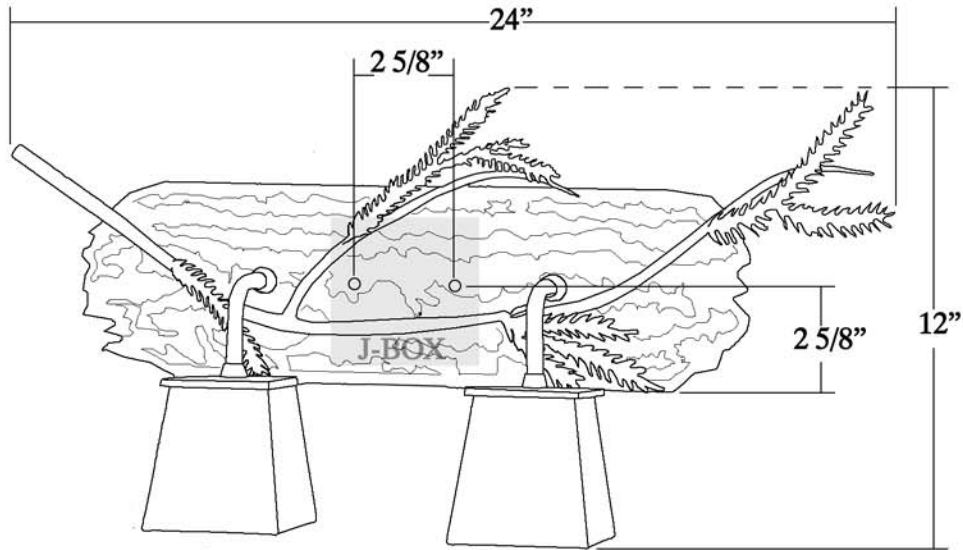


CUT SHEET, ITEM #67909



DRAWN BY 244	WEIGHT 6 LBS	DATE 1-26-09	© MEYDA TIFFANY, INC. © DESIGN COPYRIGHT, MEYDA TIFFANY, INC. ALL RIGHTS RESERVED, NO UNAUTHORIZED DUPLICATION			
VOLTAGE 110	GLASS COLOR BEIGE IRIDESCENT		BULB # 2	DISCRPTION 24"W PINE BRANCH VANITY LIGHT		PROJECT NUMBER 1-0182000147-91
FINISH RUST/WROUGHT IRON	MATERIAL STEEL/GLASS		TYPE G9 HALOGEN	WATT 60		DESIGN NUMBER
				FIXTURE TYPE VANITY LIGHT		FINAL MODEL NUMBER 67909