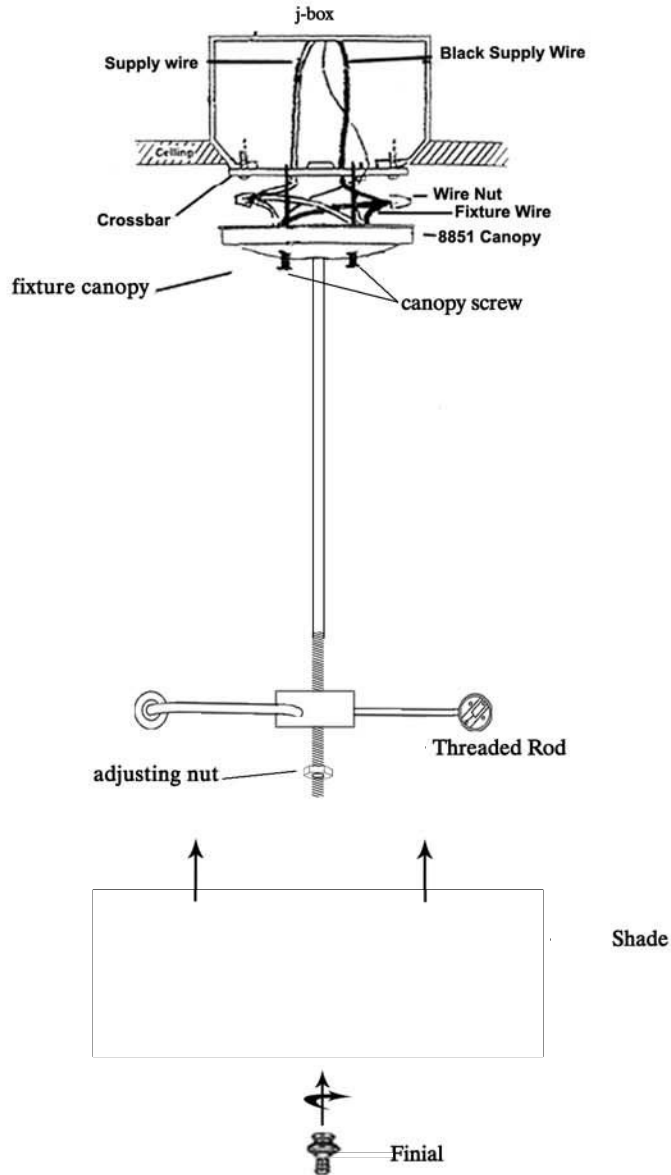


# ASSEMBLY INSTRUCTIONS FOR FLUSH MOUNT



## IMPORTANT

TURN OFF THE POWER AT THE MAIN FUSE OR CIRCUIT BREAKER BOX BEFORE STARTING INSTALLATION

CAREFULLY UNPACK AND IDENTIFY ALL PARTS BEFORE ASSEMBLY. BULBS ARE NOT INCLUDED

1. Screw crossbar into j-box.
2. Wire as per local electrical code.
3. Screw fixture canopy into crossbar.
4. Screw adjusting nut up or down leaving enough threaded rod exposed to accommodate shade and finial.
5. Place shade onto threaded rod and up to adjusting nut.
6. Screw finial onto threaded rod and tighten to shade.



*"A Commitment to Excellence in Lighting and Service"*

CALL OUR CUSTOMER SERVICE DEPARTMENT AT 1-800-222-4009

MONDAY - FRIDAY 8:00 a.m. - 6:00 p.m. ET

visit us on the web at [www.meyda.com](http://www.meyda.com)

CUSTOMER NAME:

CUSTOMER #:

### CUSTOMER PROPOSAL/CUT SHEET

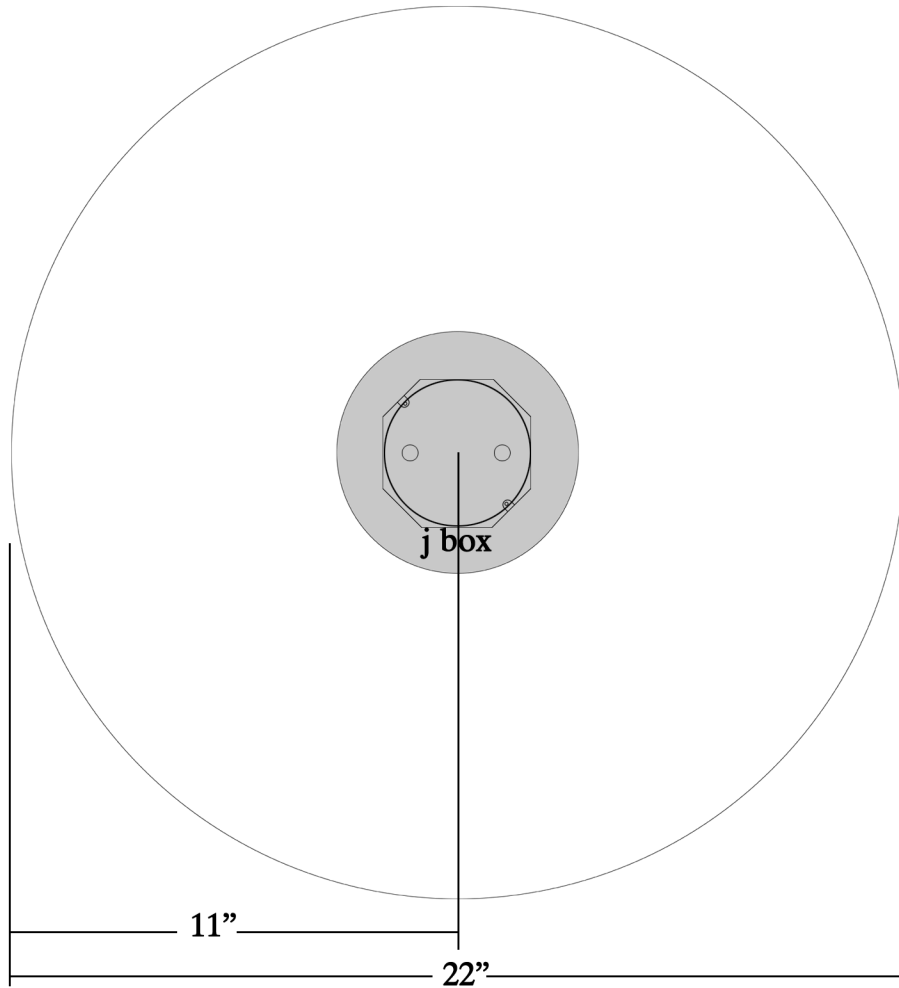
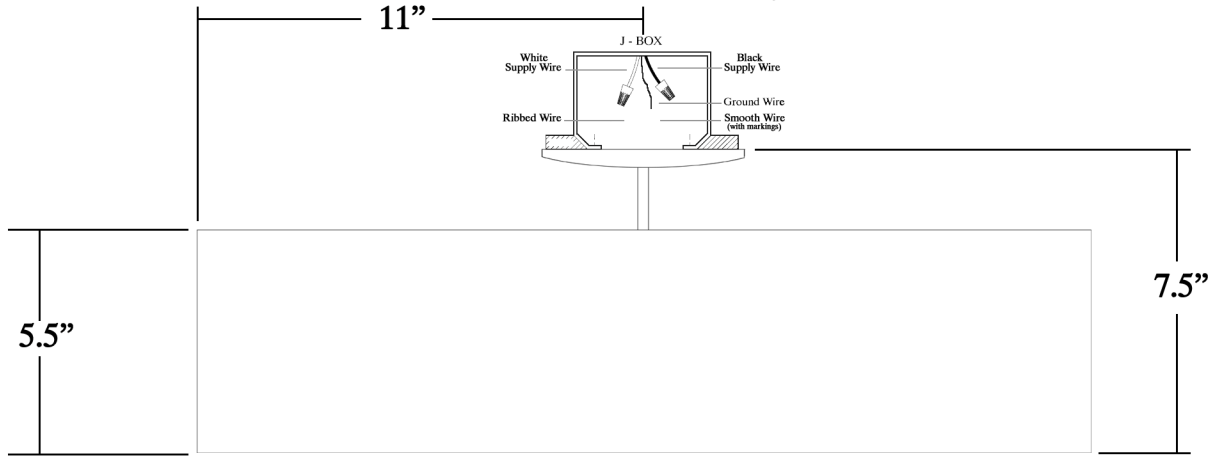


*"A Commitment to Excellence in Lighting and Service"*

CALL OUR CUSTOMER SERVICE DEPARTMENT AT 1-800-222-4009

MONDAY - FRIDAY 8:00 a.m. - 6:00 p.m. ET

visit us on the web at [www.meyda.com](http://www.meyda.com)



© MEYDA TIFFANY, INC. © DESIGN COPYRIGHT, MEYDA TIFFANY, INC. ALL RIGHTS RESERVED, NO UNAUTHORIZED DUPLICATION



ITEM# <b>66209</b>	BULB# <b>4</b>	LOCATION
DESIGN# <b>1-0052045029-10</b>	TYPE <b>MEDIUM BASE</b>	
FIXTURE TYPE <b>CEILING FLUSH MOUNT</b>	WATT <b>100</b>	DIMENSIONS/NOTES
LENS/GLASS COLOR <b>AMBER</b>	VOLTAGE <b>120</b>	
FINISH <b>BLACK</b>	MATERIAL <b>STEEL/MICA</b>	WEIGHT <b>12 LBS.</b>