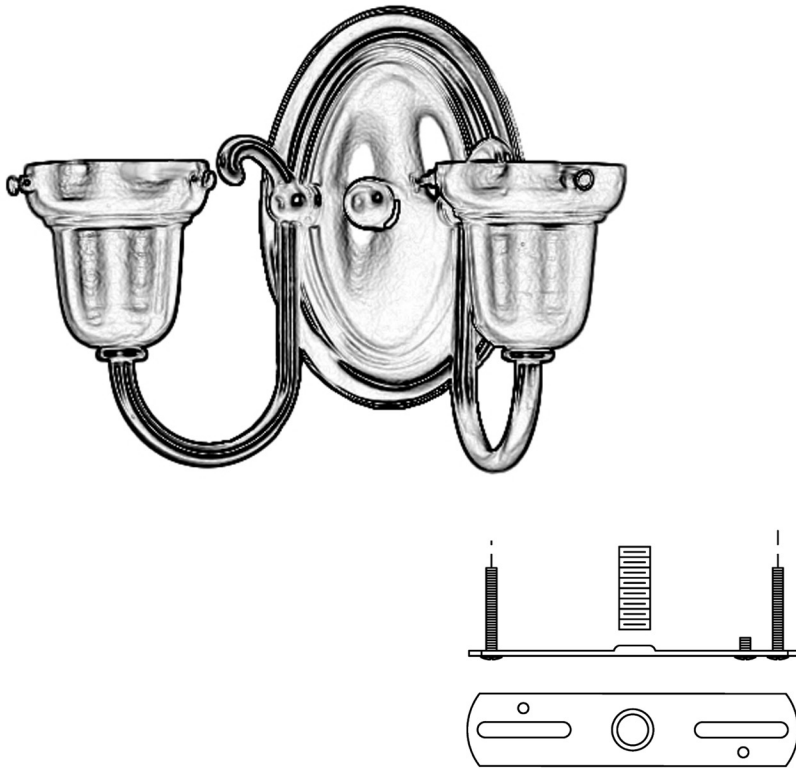
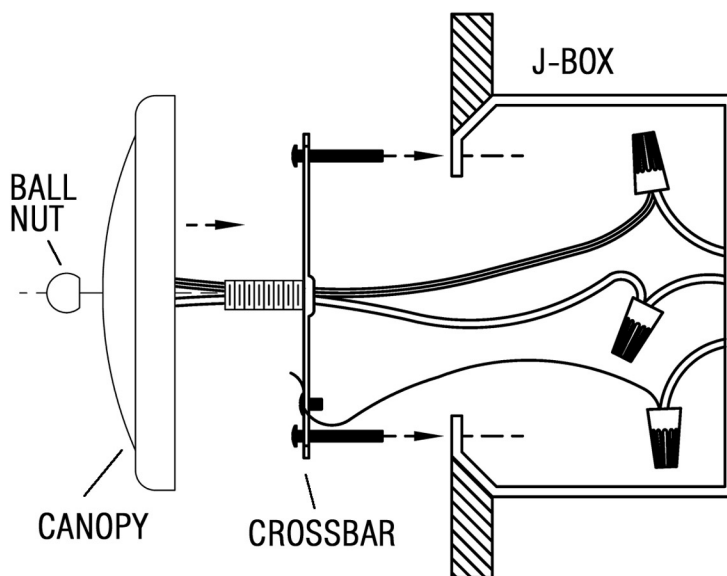


ASSEMBLY INSTRUCTIONS FOR (QGL2SCE-09-)



A-4058	SMALL BRASS ARM	2
A-720	STAMPED BRASS BA	1
-139	3" BRASS J ARM	2
A-3122	2 1/4" BRASS BEL	2
-79	PORCELAIN SOCKET	2
93-131-1	FT OF BROWN WIRE	24
A-2894	BRASS THUMB SCRE	6
A-3123	BRASS BALL 3/4"	1
L	ASSEMBLY LABOR	40
90-1035	1/8IP LOCK NUTS	4
cb-22	CROSS BAR 5-7/8"	1
hba106	5/8" HALF BALL B	1
90/390	SPIDER WASHER	4
90-283	1" NIPPLE	4
A-4113	18" GROUND WIRE/	1



IMPORTANT

TURN OFF THE POWER AT THE MAIN FUSE OR CIRCUIT BREAKER BOX BEFORE STARTING INSTALLATION

CAREFULLY UNPACK AND IDENTIFY ALL PARTS BEFORE ASSEMBLY. BULBS ARE NOT INCLUDED

1. Remove crossbar from scone plate. (save ball nut).
2. Attach crossbar to J-BOX using screws provided.
3. Wire scone to J-BOX per local electrical code. Do not run wire through nipple/center of crossbar!
4. Slide scone canopy over nipple attached to crossbar and secure against wall using ball nut that had been removed in step 1.
5. Turn power on to J-Box



"A Commitment to Excellence in Lighting and Service"

CALL OUR CUSTOMER SERVICE DEPARTMENT AT 1-800-222-4009

MONDAY - FRIDAY 8:00 a.m. - 6:00 p.m. ET

visit us on the web at www.meyda.com