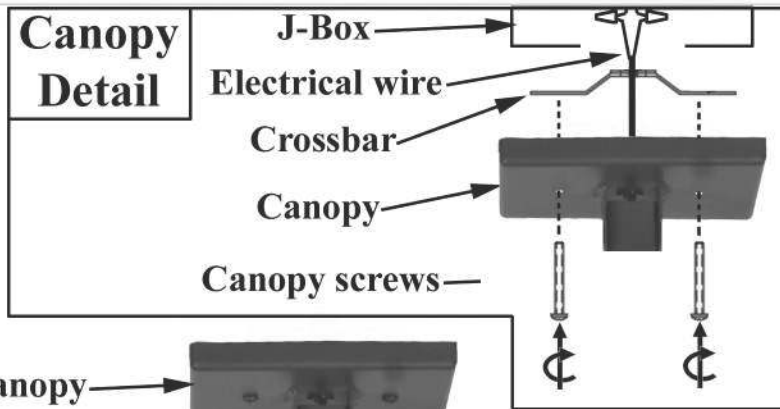


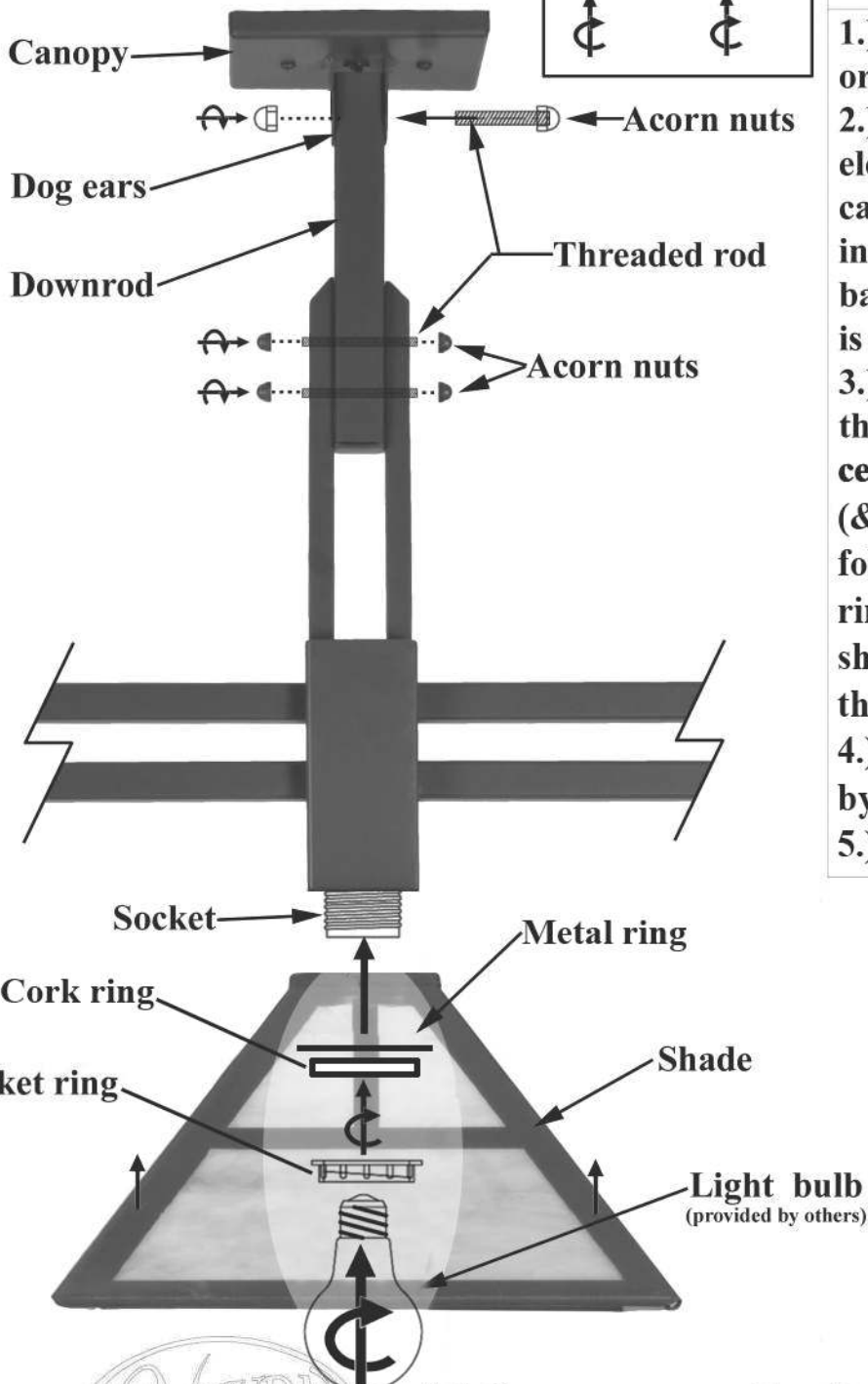
ASSEMBLY INSTRUCTIONS FOR #132896



IMPORTANT
TURN OFF THE POWER AT THE MAIN FUSE OR
CIRCUIT BREAKER BOX BEFORE STARTING
INSTALLATION

CAREFULLY UNPACK AND IDENTIFY ALL
PARTS BEFORE ASSEMBLY. BULBS ARE NOT
INCLUDED

- 1.) Attach your crossbar to your ceiling or J-Box.
- 2.) Bring hardware to crossbar, connect electrical wires as per your local electrical code. Screw your two canopy screws in through the canopy, & into the crossbar. Keep turning screws until canopy is flush to ceiling. (Canopy Detail)
- 3.) Place shade up onto hardware so that the light socket penetrates the center of shade. Place into the shade, (& onto the socket), the metal ring followed by the cork ring. Screw socket ring onto the socket, thus keeping shade tight to the hardware. Repeat for the other two shades.
- 4.) Bulb your fixture, (bulbs provided by others).
- 5.) Power on, enjoy your new fixture!



"A Commitment to Excellence in Lighting and Service"

CALL OUR CUSTOMER SERVICE DEPARTMENT AT 1-800-222-4009

MONDAY - FRIDAY 8:00a.m - 6:00p.m ET

visit us on the web at www.meyda.com