

CUSTOMER NAME:

CUSTOMER #:

CUSTOMER PROPOSAL/CUT SHEET

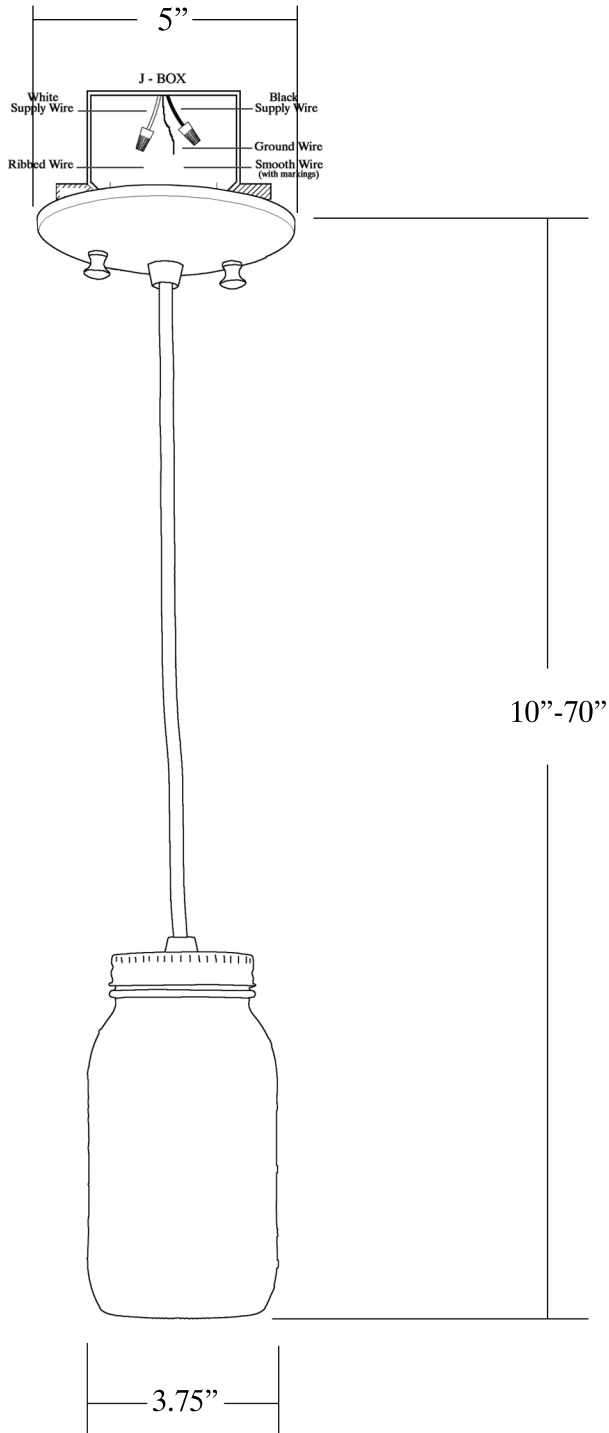


"A Commitment to Excellence in Lighting and Service"

CALL OUR CUSTOMER SERVICE DEPARTMENT AT 1-800-222-4009

MONDAY - FRIDAY 8:00 a.m. - 6:00 p.m. ET

visit us on the web at www.meyda.com



© MEYDA TIFFANY, INC. © DESIGN COPYRIGHT, MEYDA TIFFANY, INC. ALL RIGHTS RESERVED, NO UNAUTHORIZED DUPLICATION



ITEM# 120889	BULB# 1	LOCATION
DESIGN# QMJ-1-QWMJH-100	TYPE T6.5 LED	
FIXTURE TYPE PENDANT	WATT 9	DIMENSIONS/NOTES
LENS/ GLASS COLOR CLEAR	VOLTAGE 120	
FINISH FIXTURE(BLACK)	MATERIAL	WEIGHT