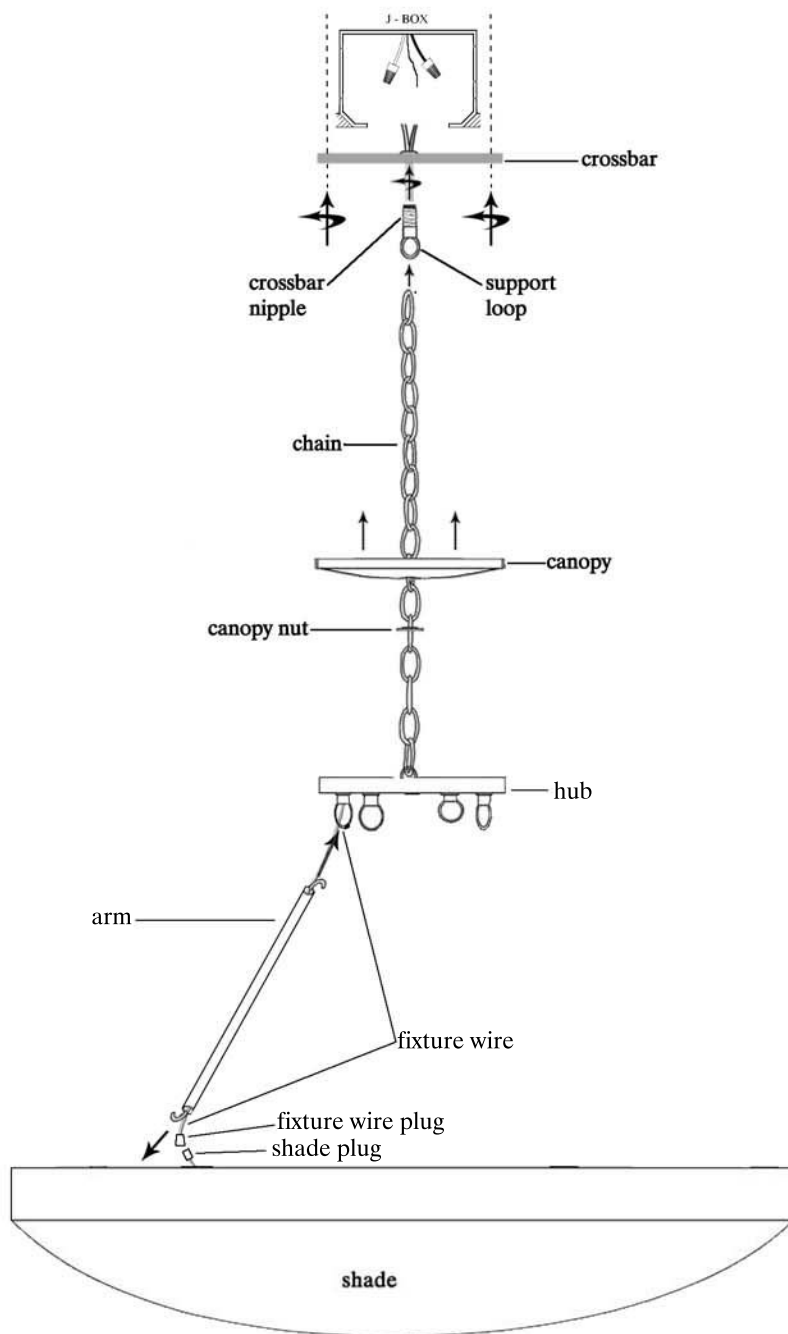


ASSEMBLY INSTRUCTIONS FOR #113960 (38259-119DCFL)



IMPORTANT

TURN OFF THE POWER AT THE MAIN FUSE OR CIRCUIT BREAKER BOX BEFORE STARTING INSTALLATION

CAREFULLY UNPACK AND IDENTIFY ALL PARTS BEFORE ASSEMBLY. BULBS ARE NOT INCLUDED

1. Attach crossbar with support loop to j box.
2. Attach chain to support loop.
3. Place canopy then canopy nut onto chain.
4. Attach chain to hub.
5. Weave fixture wire from hub through chain and support loop into
6. Wire as per local electrical code.
7. Place canopy to ceiling, screw canopy nut onto support loop and tighten to ceiling.
8. Attach arm with fixture wire to shade then to hub.
9. Repeat with remaining arms.
10. Plug fixture wire into shade plug.



"A Commitment to Excellence in Lighting and Service"

CALL OUR CUSTOMER SERVICE DEPARTMENT AT 1-800-222-4009

MONDAY - FRIDAY 8:00 a.m. - 6:00 p.m. ET

visit us on the web at www.meyda.com

CUSTOMER NAME:

CUSTOMER #:

CUSTOMER PROPOSAL/CUT SHEET

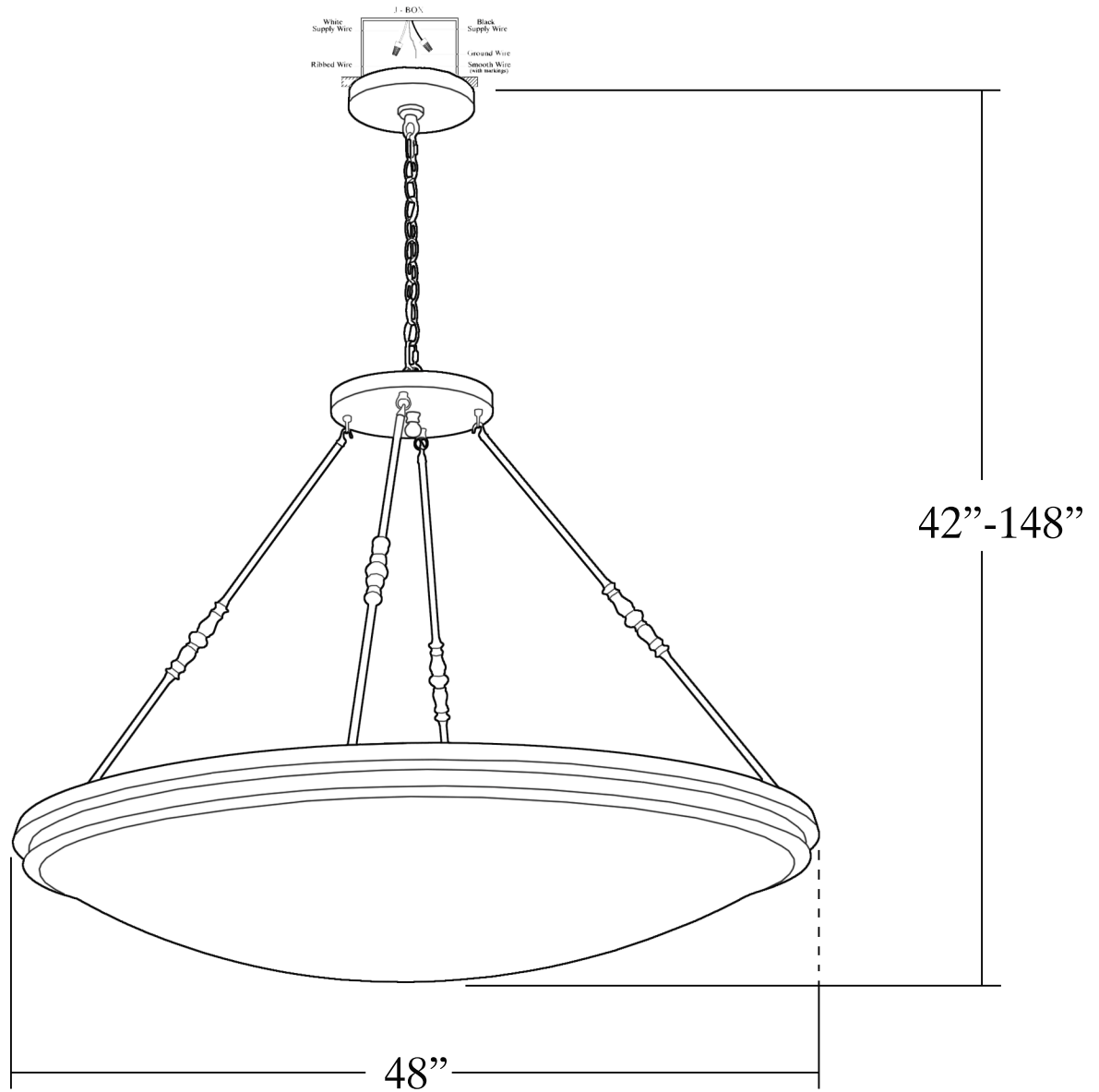


"A Commitment to Excellence in Lighting and Service"

CALL OUR CUSTOMER SERVICE DEPARTMENT AT 1-800-222-4009

MONDAY - FRIDAY 8:00 a.m. - 6:00 p.m. ET

visit us on the web at www.meyda.com



© MEYDA TIFFANY, INC. © DESIGN COPYRIGHT, MEYDA TIFFANY, INC. ALL RIGHTS RESERVED, NO UNAUTHORIZED DUPLICATION



ITEM# 113960	BULB# 8	LOCATION
DESIGN# 38259-19DCFL	TYPE 4 PIN CFL	DIMENSIONS/NOTES
FIXTURE TYPE CEILING PENDANT	WATT 42	
LENS/GLASS COLOR HONEY	VOLTAGE 120	WEIGHT 60
FINISH CAFE NOIR	MATERIAL STEEL/ACRYLIC	