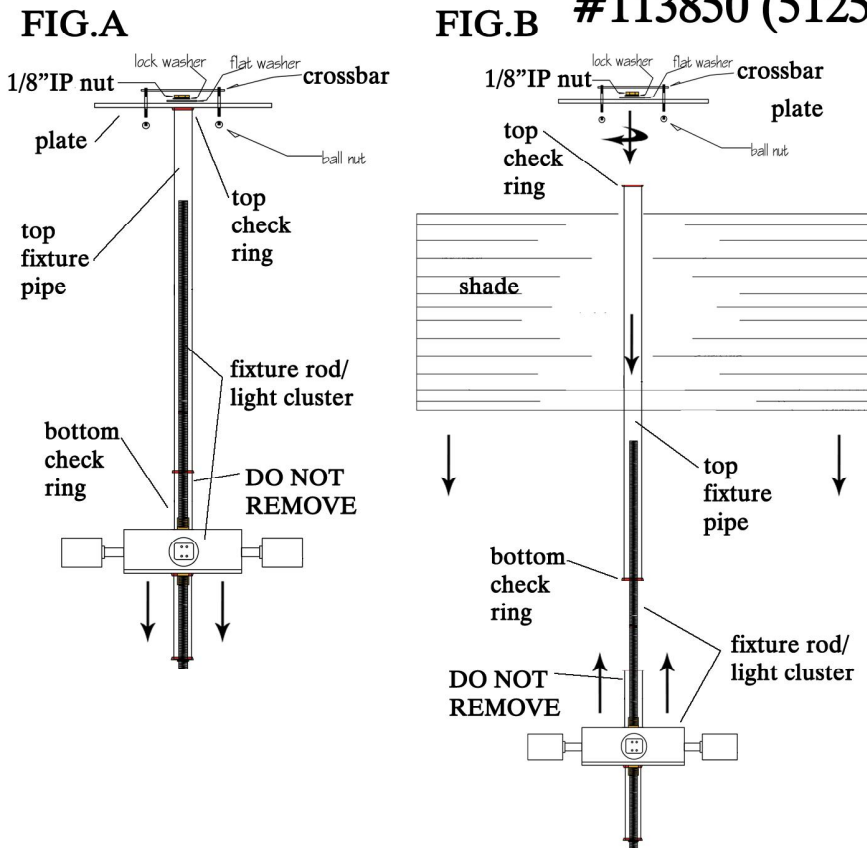


ASSEMBLY INSTRUCTIONS FOR #113849 (51258-1)

FIG. B #113850 (51258-2) #113851 (51258-3)

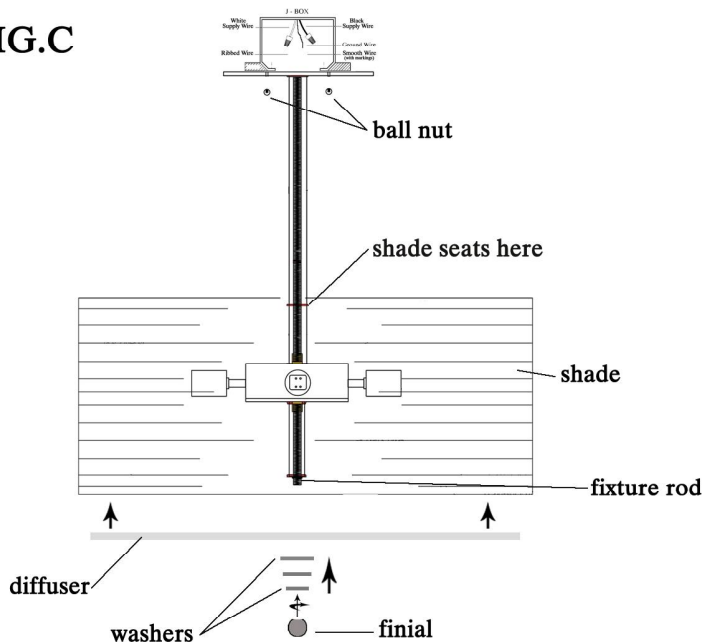


IMPORTANT
TURN OFF THE POWER AT THE MAIN FUSE OR CIRCUIT BREAKER BOX BEFORE STARTING INSTALLATION

CAREFULLY UNPACK AND IDENTIFY ALL PARTS BEFORE ASSEMBLY. BULBS ARE NOT INCLUDED

1. Remove 1/8" IP nut, lock washer, flat washer, plate and crossbar from fixture rod. Remove fixture rod/light cluster from top fixture pipe. FIG.A
2. Place shade onto fixture rod/light cluster, place top fixture pipe with bottom check ring onto fixture rod/light cluster and seat to shade. FIG.B
3. Place top check ring, plate, flat washer, lock washer and crossbar onto fixture rod/light cluster, screw 1/8" IP nut onto fixture rod/light cluster and tighten. FIG.B
4. Attach crossbar to j box.
5. Wire as per local electrical code.
6. Attach fixture w/plate to crossbar with ball nuts. FIG.C
7. Place light bulbs into sockets.
8. Place diffuser onto fixture rod, place washers onto fixture rod, screw finial onto fixture rod and tighten. FIG.C

FIG. C



"A Commitment to Excellence in Lighting and Service"

CALL OUR CUSTOMER SERVICE DEPARTMENT AT 1-800-222-4009

MONDAY - FRIDAY 8:00 a.m. - 6:00 p.m. ET

visit us on the web at www.meyda.com