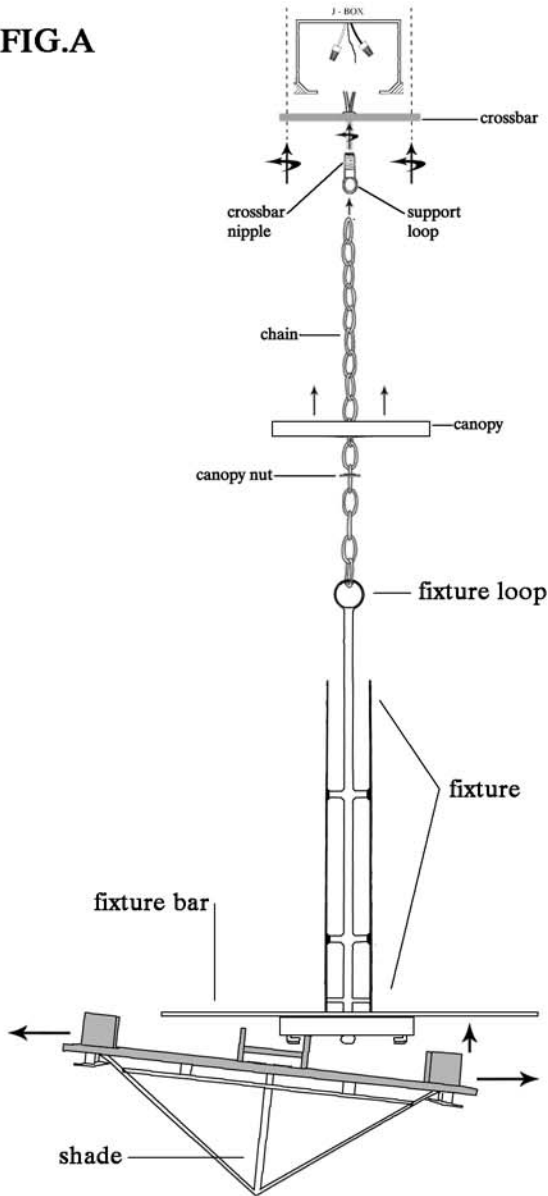


ASSEMBLY INSTRUCTIONS FOR #112392 (33178-14)

FIG.A



IMPORTANT

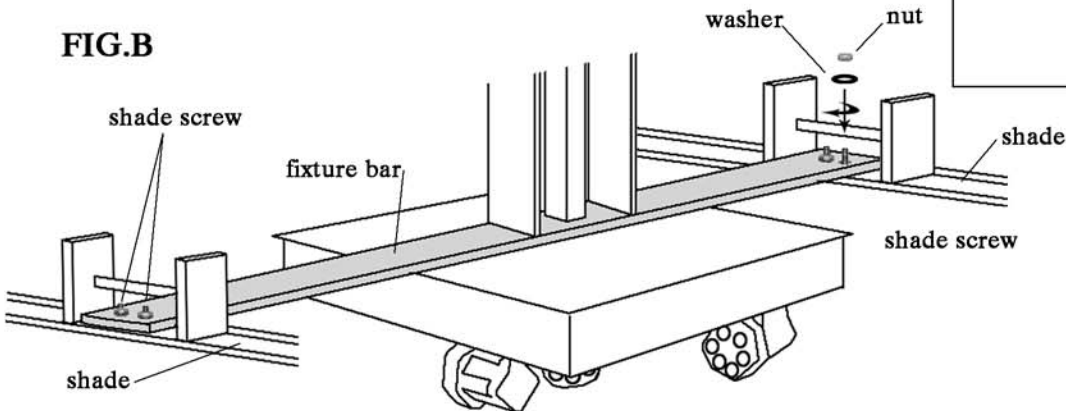
TURN OFF THE POWER AT THE MAIN FUSE OR CIRCUIT BREAKER BOX BEFORE STARTING INSTALLATION

CAREFULLY UNPACK AND IDENTIFY ALL PARTS BEFORE ASSEMBLY. BULBS ARE NOT INCLUDED

THIS FIXTURE WEIGHS OVER 50 LBS. NEC:314.27B, A luminaire that weighs more than 23kg (50lb) shall be supported independently of the outlet box unless the outlet box is listed AND MARKED for the MAXIMUM weight to be supported.

1. Attach crossbar with crossbar nipple, support loop attached to suitable support structure.FIG.A
2. Attach chain to support loop, place canopy than canopy nut onto chain, attach chain to fixture loop.FIG.A
3. Wire as per local electrical code.
4. Slide canopy up to ceiling, screw canopy nut onto crossbar nipple and tighten to canopy.FIG.A
5. Place one end of shade onto and past fixture bar, place the other side of the shade onto fixture bar and align shade screws to holes located on the end of the fixture bar.FIG.A&B
6. Attach shade to fixture bar with nuts and washers provided. FIG.B

FIG.B



"A Commitment to Excellence in Lighting and Service"

CALL OUR CUSTOMER SERVICE DEPARTMENT AT 1-800-222-4009

MONDAY - FRIDAY 8:00 a.m. - 6:00 p.m. ET

visit us on the web at www.meyda.com