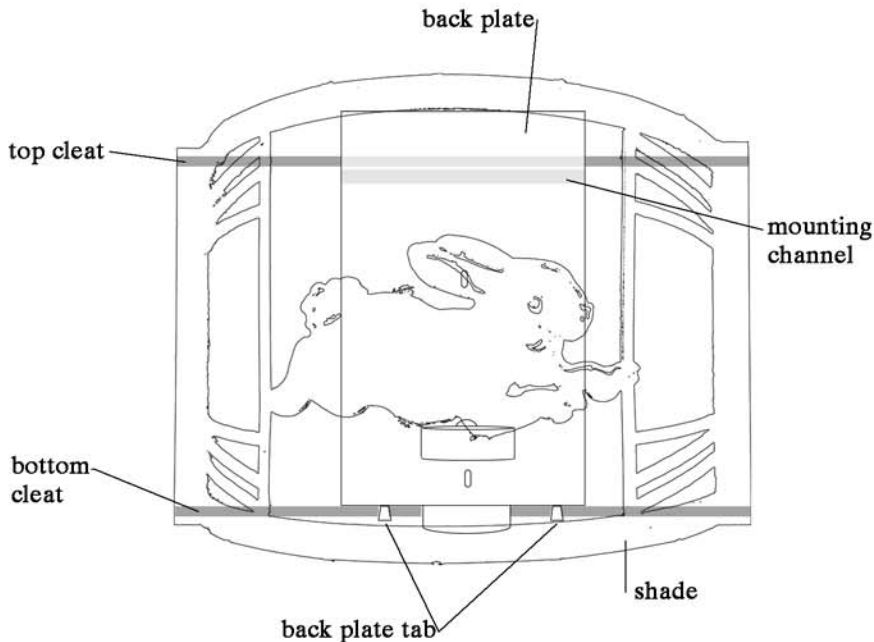
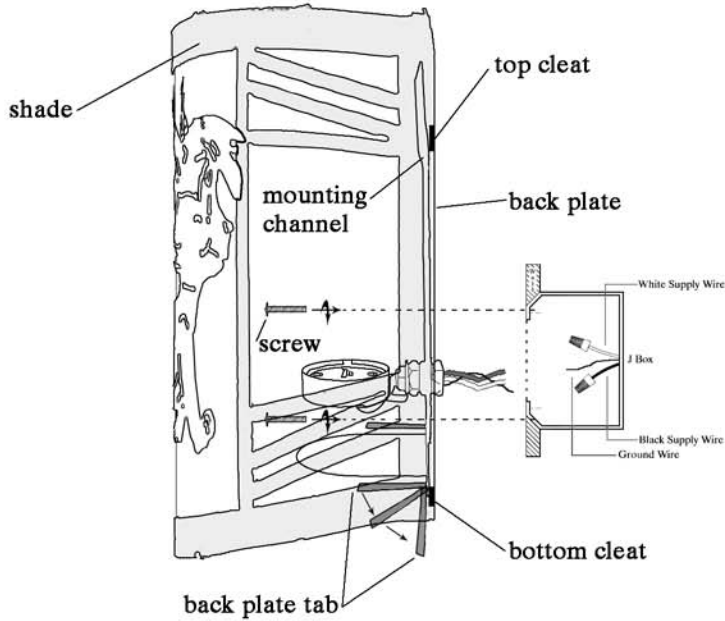


ASSEMBLY INSTRUCTIONS FOR #110558 (1-0053035263L-11CFL)

#110559 (1-0053035263R-11CFL)

FIG.A



IMPORTANT

TURN OFF THE POWER AT THE MAIN FUSE OR CIRCUIT BREAKER BOX BEFORE STARTING INSTALLATION

CAREFULLY UNPACK AND IDENTIFY ALL PARTS BEFORE ASSEMBLY. BULBS ARE NOT INCLUDED

1. Wire as per local electrical code.
2. Attach back plate to jbox.
3. Place shade onto back plate. Make sure top shade cleat is seated onto back plate mounting channel. FIG.A
4. To secure shade to back plate bend back plate tabs down over bottom back plate cleat. FIG.A



"A Commitment to Excellence in Lighting and Service"

CALL OUR CUSTOMER SERVICE DEPARTMENT AT 1-800-222-4009

MONDAY - FRIDAY 8:00 a.m. - 6:00 p.m. ET

visit us on the web at www.meyda.com