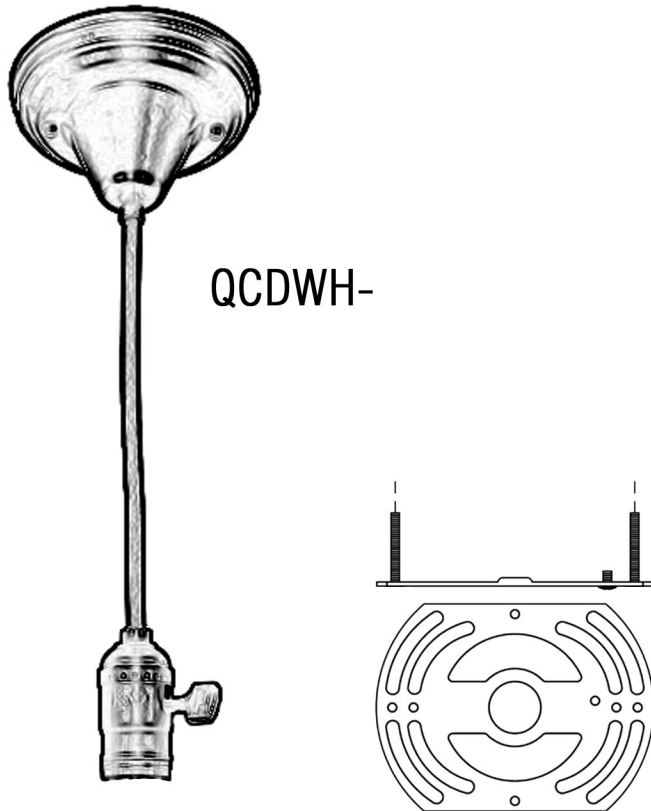
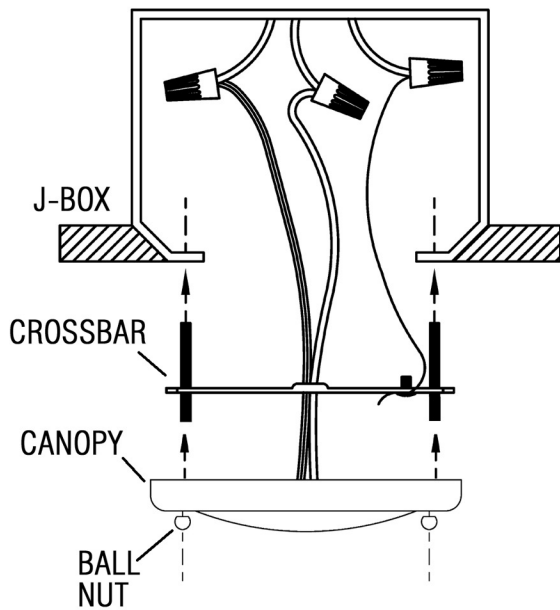


# ASSEMBLY INSTRUCTIONS FOR (QCDWH-)



CLOTH COVERED  
PADDLE SOCKET HANGER  
WITHOUT FITTER

FOR USE WITH  
BARE BULB ONLY



## IMPORTANT

TURN OFF THE POWER AT THE  
MAIN FUSE OR CIRCUIT BREAKER  
BOX BEFORE  
STARTING INSTALLATION

CAREFULLY UNPACK AND IDENTIFY ALL  
PARTS BEFORE ASSEMBLY. BULBS ARE  
NOT INCLUDED

1. Remove crossbar from sconce plate.  
(save ball nuts and threaded studs).
2. Attach crossbar to J-BOX using  
studs removed from sconce.
3. Wire sconce to J-BOX per local  
electrical code.
4. Slide sconce canopy over studs  
attached to crossbar and secure  
against ceiling using ball nuts that  
had been removed in step 1.
5. Turn power on to J-Box



*"A Commitment to Excellence in Lighting and Service"*

CALL OUR CUSTOMER SERVICE DEPARTMENT AT 1-800-222-4009

MONDAY - FRIDAY 8:00 a.m. - 6:00 p.m. ET

visit us on the web at [www.meyda.com](http://www.meyda.com)