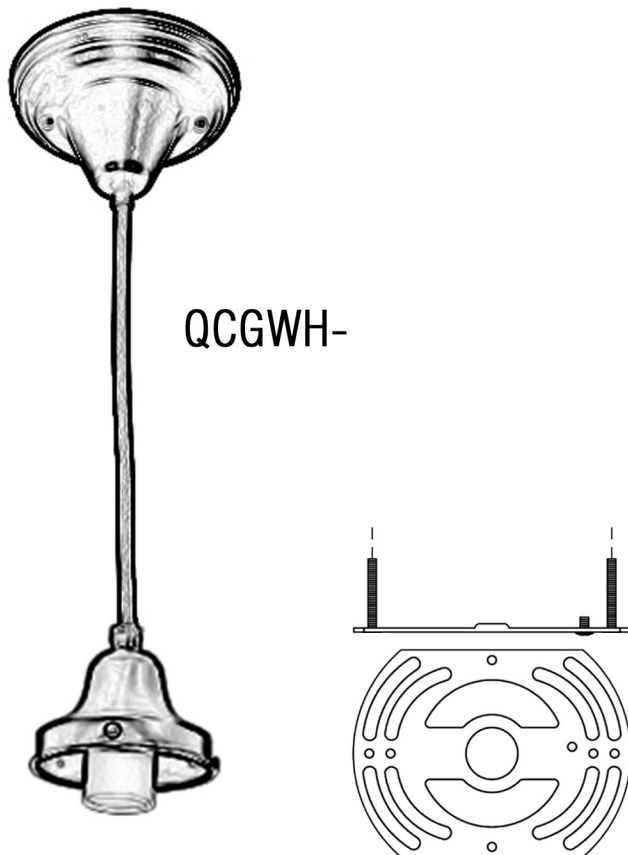
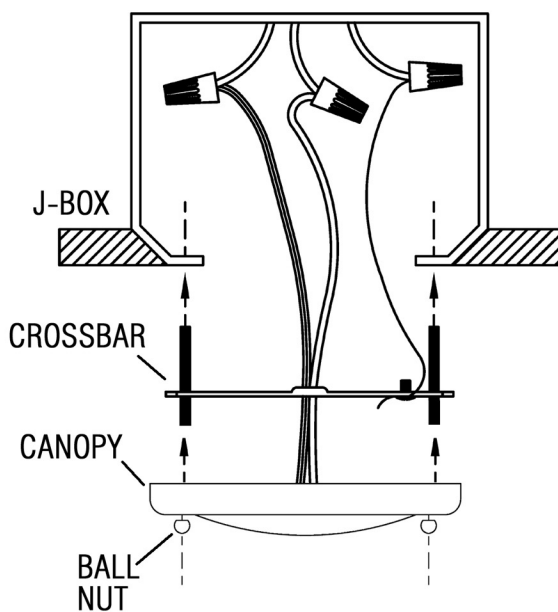


ASSEMBLY INSTRUCTIONS FOR (QCGWH-)



CLOTH COVERED PADDLE SOCKET HANGER WITH 3.25" FITTER

ATTACH GLASS SHADE
INTO FITTER
WITH 3 THUMBSCREWS
PROVIDED



IMPORTANT

TURN OFF THE POWER AT THE
MAIN FUSE OR CIRCUIT BREAKER
BOX BEFORE
STARTING INSTALLATION

CAREFULLY UNPACK AND IDENTIFY ALL
PARTS BEFORE ASSEMBLY. BULBS ARE
NOT INCLUDED

1. Remove crossbar from sconce plate. (save ball nuts and threaded studs).
2. Attach crossbar to J-BOX using studs removed from sconce.
3. Wire sconce to J-BOX per local electrical code.
4. Slide sconce canopy over studs attached to crossbar and secure against ceiling using ball nuts that had been removed in step 1.
5. Turn power on to J-Box



"A Commitment to Excellence in Lighting and Service"

CALL OUR CUSTOMER SERVICE DEPARTMENT AT 1-800-222-4009

MONDAY - FRIDAY 8:00 a.m. - 6:00 p.m. ET

visit us on the web at www.meyda.com