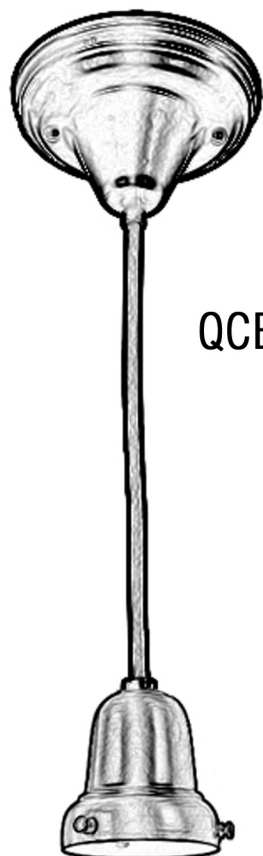
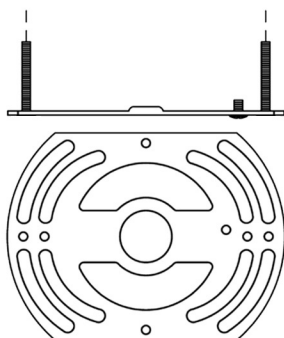


# ASSEMBLY INSTRUCTIONS FOR (QCEWH-)

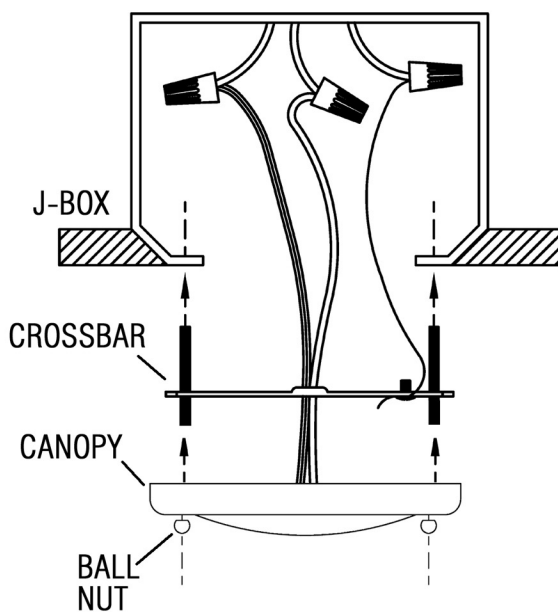


QCEWH-



**CLOTH COVERED  
PADDLE SOCKET HANGER  
WITH 2.25" FITTER**

**ATTACH GLASS SHADE  
INTO FITTER  
WITH 3 THUMBSCREWS  
PROVIDED**



## **IMPORTANT**

**TURN OFF THE POWER AT THE  
MAIN FUSE OR CIRCUIT BREAKER  
BOX BEFORE  
STARTING INSTALLATION**

**CAREFULLY UNPACK AND IDENTIFY ALL  
PARTS BEFORE ASSEMBLY. BULBS ARE  
NOT INCLUDED**

1. Remove crossbar from scone plate. (save ball nuts and threaded studs).
2. Attach crossbar to J-BOX using studs removed from scone.
3. Wire scone to J-BOX per local electrical code.
4. Slide scone canopy over studs attached to crossbar and secure against ceiling using ball nuts that had been removed in step 1.
5. Turn power on to J-Box



*"A Commitment to Excellence in Lighting and Service"*

CALL OUR CUSTOMER SERVICE DEPARTMENT AT 1-800-222-4009

MONDAY - FRIDAY 8:00 a.m. - 6:00 p.m. ET

visit us on the web at [www.meyda.com](http://www.meyda.com)