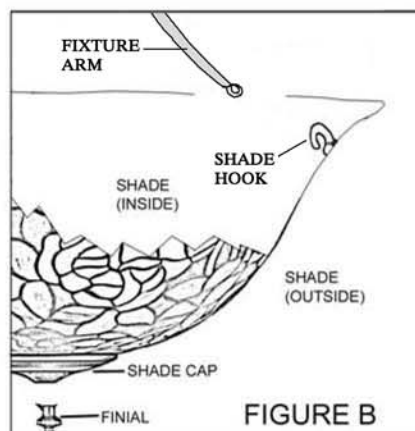
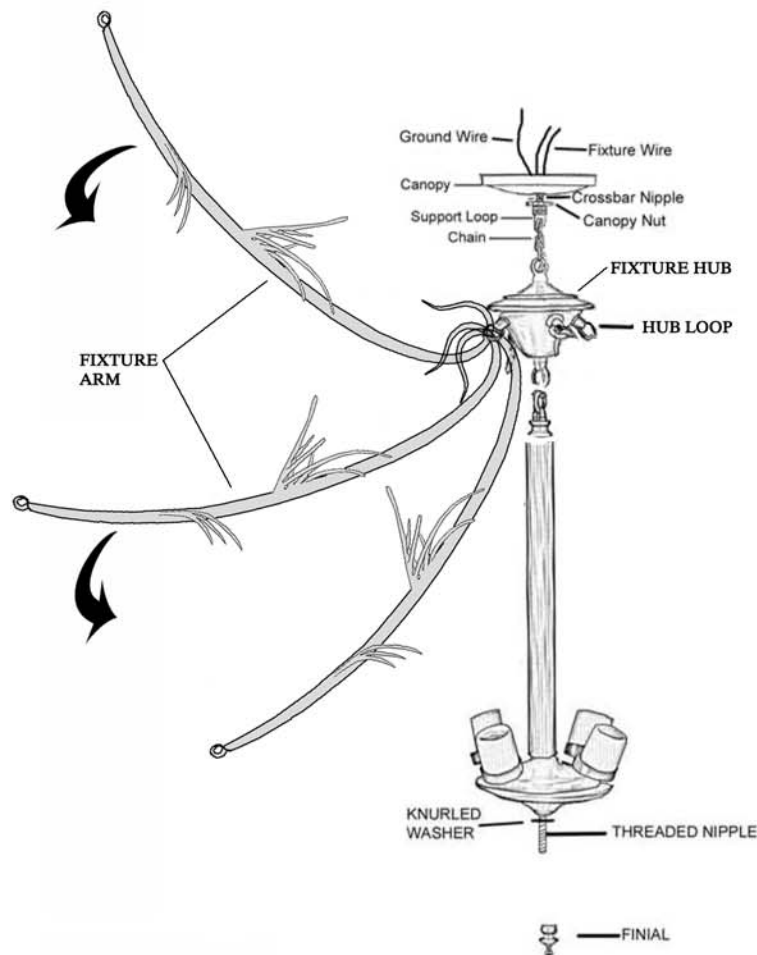


ASSEMBLY INSTRUCTIONS FOR #68068 (M30-SG676-24-1)

FIGURE A



IMPORTANT

TURN OFF THE POWER AT THE MAIN FUSE OR CIRCUIT BREAKER BOX BEFORE STARTING INSTALLATION

CAREFULLY UNPACK AND IDENTIFY ALL PARTS BEFORE ASSEMBLY. BULBS ARE NOT INCLUDED

1. Assemble fixture as shown in FIG.A
2. Install assembled fixture FIG.A. to ceiling. Pull fixture wire and ground wire through crossbar nipple carefully. (Follow procedure shown in electrical connection instructions)
3. Attach fixture arm through hub loop than through shade hook. Figure A.
- (4) FIG.B. Place center assembly (threaded nipple) through hole in shade cap. Attach finial.

VERY IMPORTANT:

Center assembly holds the weight of the shade only. Fixture arms are used for only shade balance.

NOTE: With center assembly attached to shade you may find that support chains are too short or too long. You will need to add or remove chain link(s) to support chains FIG.B

4. Finial is used for fine adjustments ONLY.

ELECTRICAL CONNECTIONS:

1. Cut excess wire ABOVE crossbar to 6 inches. Split the wire into 2 separate leads. Strip 1 inch of plastic insulator from the ends of each lead.
2. Connect the 1/2 of the wire w/the ribbed surface to the white wire of the supply box. Connect the smooth 1/2 of the wire (the half w/ the markings) to the black wire of the supply box. Connect the bare copper ground wire to the green screw of the crossbar. Use UL listed wire connectors suitable for the size, type, and number of conductors. No loose strands or loose connections should be present. Secure wire connectors with electrical tape.



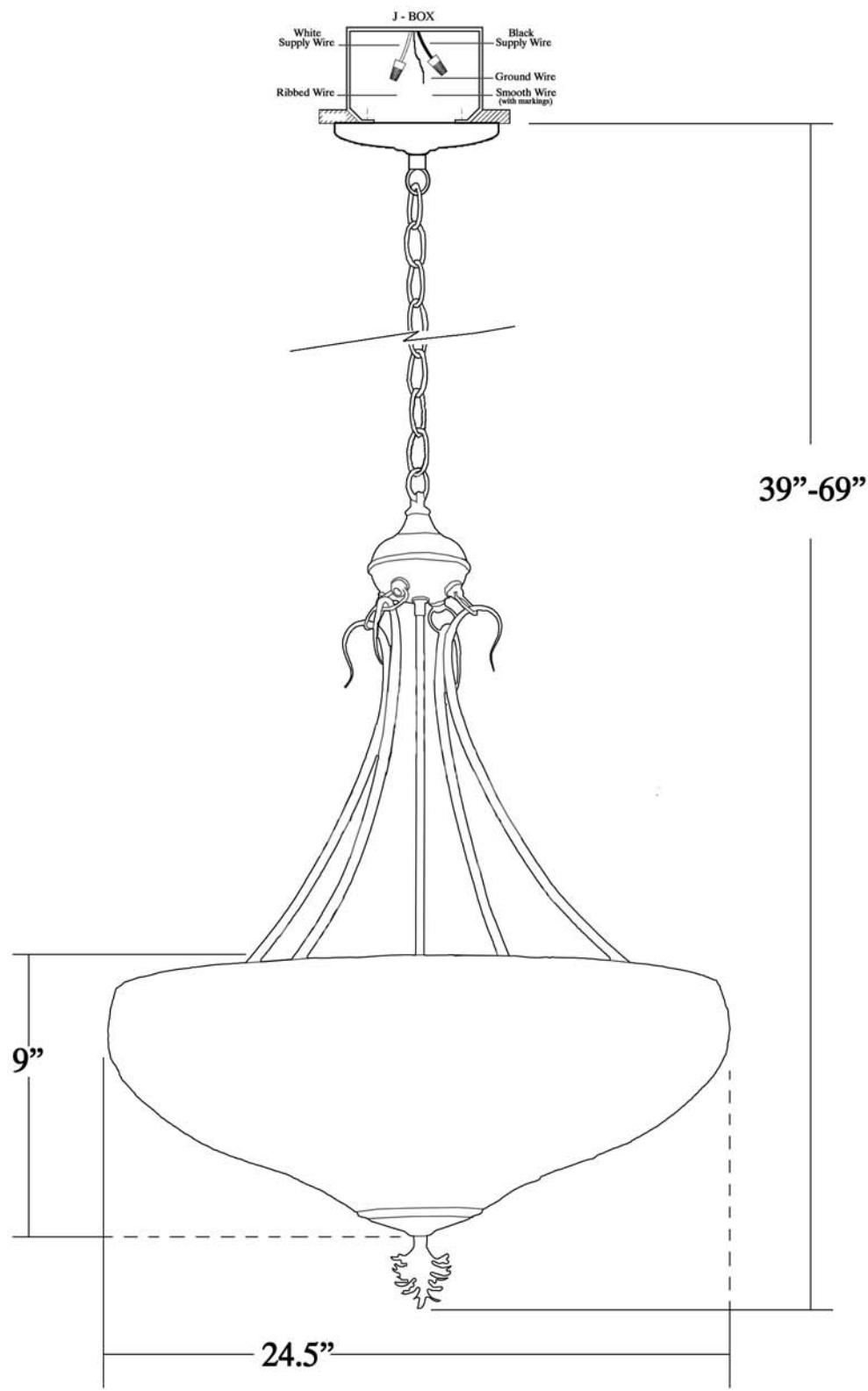
"A Commitment to Excellence in Lighting and Service"

CALL OUR CUSTOMER SERVICE DEPARTMENT AT 1-800-222-4009

MONDAY - FRIDAY 8:00 a.m. - 6:00 p.m. ET

visit us on the web at www.meyda.com

CUT SHEET, ITEM # 68068



DRAWN BY 244	WEIGHT 18 lbs	DATE 1-26-09	© MEYDA TIFFANY, INC. © DESIGN COPYRIGHT, MEYDA TIFFANY, INC. ALL RIGHTS RESERVED, NO UNAUTHORIZED DUPLICATION			
VOLTAGE 110	GLASS COLOR BEIGE, ROOTBEER, BROWN, GREEN		BULB # 4	DISCRIPTION 24"W PINECONE DOME 4 ARM NEEDLE PINE BRANCH HANGER CUSTOM		PROJECT NUMBER SG676-24-1-M305
FINISH ANTIQUE COPPER			TYPE MEDIUM BASE			DESIGN NUMBER
MATERIAL STEEL/GLASS			WATT 100	FIXTURE TYPE INVERTED PENDANT	FINAL MODEL NUMBER 68068	