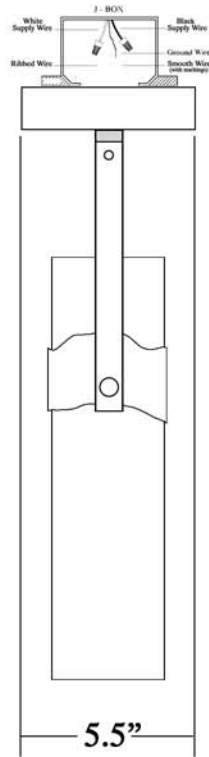
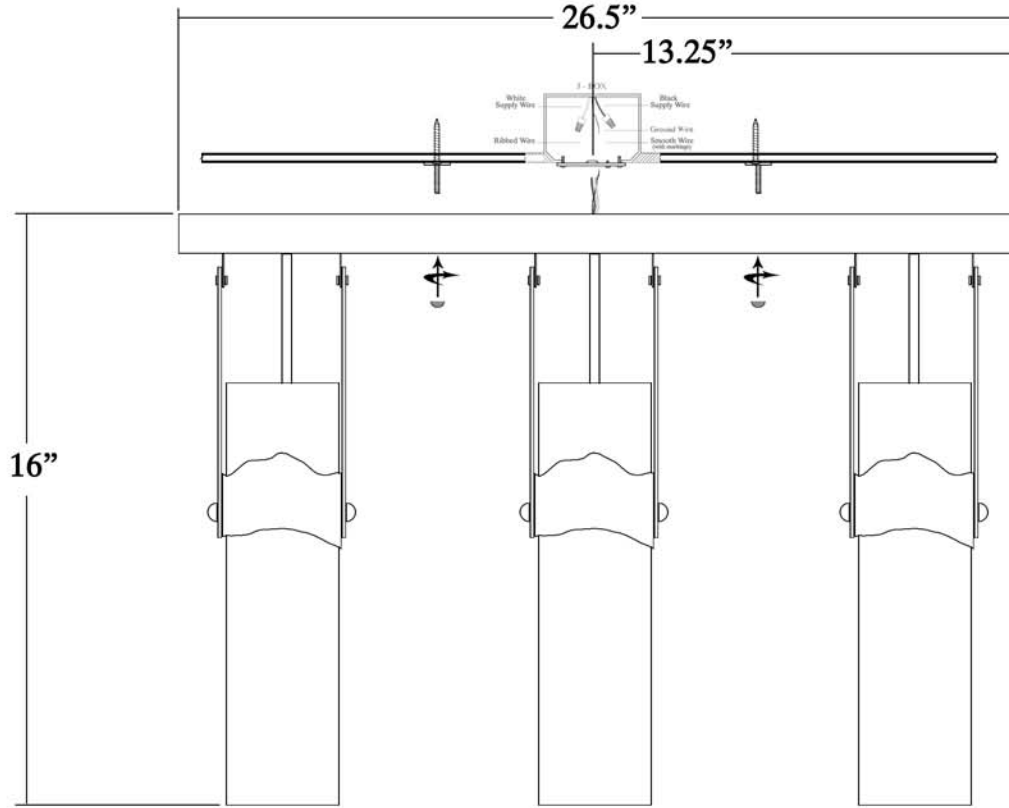




CUT SHEET, ITEM # 50835



 	DRAWN BY 244	WEIGHT 17LBS	DATE 11/5/09	© MEYDA TIFFANY, INC. © DESIGN COPYRIGHT, MEYDA TIFFANY, INC. ALL RIGHTS RESERVED, NO UNAUTHORIZED DUPLICATION			
	VOLTAGE 120	GLASS COLOR	BULB # 3	DESCRIPTION IRON MOUNTAIN 3 LT. SEMI FLUSH		PROJECT NUMBER	
	FINISH SEPIA VEIN		TYPE MEDIUM BASE		DESIGN NUMBER 1-21511148-5		
	MATERIAL STEEL		WATT 100		FINAL MODEL NUMBER 50835		