

ASSEMBLY INSTRUCTIONS FOR 49517 (SP1-RP2907A-05)

FIGURE A

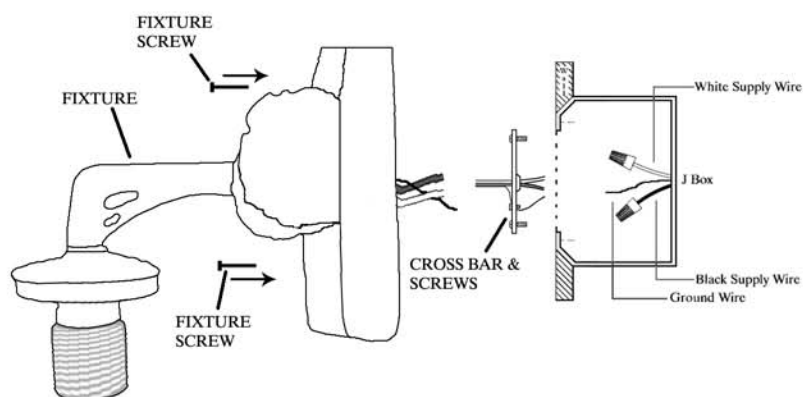
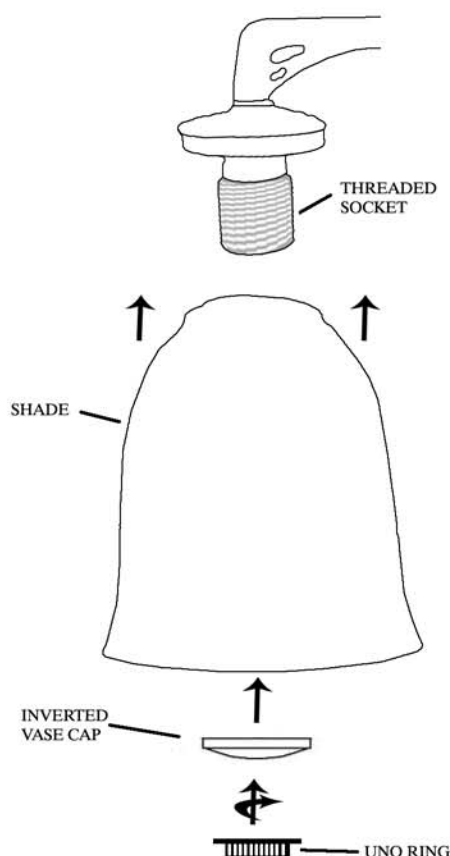


FIGURE B



IMPORTANT

TURN OFF THE POWER AT THE MAIN FUSE OR CIRCUIT BREAKER BOX BEFORE STARTING INSTALLATION

CAREFULLY UNPACK AND IDENTIFY ALL PARTS BEFORE ASSEMBLY. BULBS ARE NOT INCLUDED

1. Remove crossbar from back of sconce and screw into home j-box with screws provided. FIG A
2. Connect sconce elec. wire to home j-box elec. as per local elec. code. FIG A
3. Attach sconce to crossbar with screws provided. FIG A
4. Place shade over threaded socket and onto fixture. FIG B
5. Place inverted vase cap over threaded socket and onto fixture. (MAKE SURE VASE CAP IS PLACED ON FIXTURE AS SHOWN IN FIG.B)
6. Screw uno ring onto threaded socket and tighten. FIG B



"A Commitment to Excellence in Lighting and Service"

CALL OUR CUSTOMER SERVICE DEPARTMENT AT 1-800-222-4009

MONDAY - FRIDAY 8:00 a.m. - 6:00 p.m. ET

visit us on the web at www.meyda.com