

INSTALLATION INSTRUCTIONS

ITEM 175391 DEER AT LAKE OBLONG PENDANT

Meyda
CUSTOM LIGHTING

CAUTION: FAILURE TO INSTALL THIS FIXTURE PROPERLY MAY RESULT IN SERIOUS PERSONAL INJURY OR DEATH AND PROPERTY DAMAGE. We recommend installation by a licensed electrician. This product must be installed in accordance with applicable installation code(s), by a person familiar with the construction and operation of the product and the hazards involved.*

Caution: Do not exceed maximum wattage noted on fixture. Use only recommended bulbs with fixture.

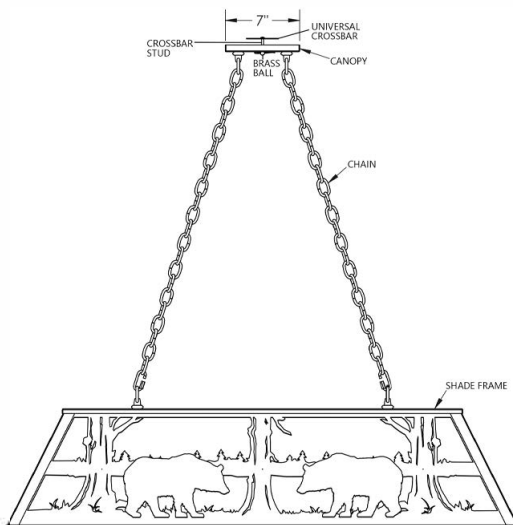
FIXTURE COMPONENTS

1. CANOPY ASSEMBLY
2. 30" CHAIN (QTY 2)
3. SHADE FRAME
4. 10.5"W x 5.5"H ORANGE OPAL GLASS PANEL (QTY 2)
5. 16"W x 5.75"H BLUE/GREEN RIPPLE GLASS PANEL (QTY 2)
6. 21"W x 5.75"H ORANGE OPAL GLASS PANEL (QTY 4)
7. 23"W x 5.5"H BLUE/GREEN RIPPLE GLASS PANEL (QTY 4)
8. NYLON WASHERS & NUTS

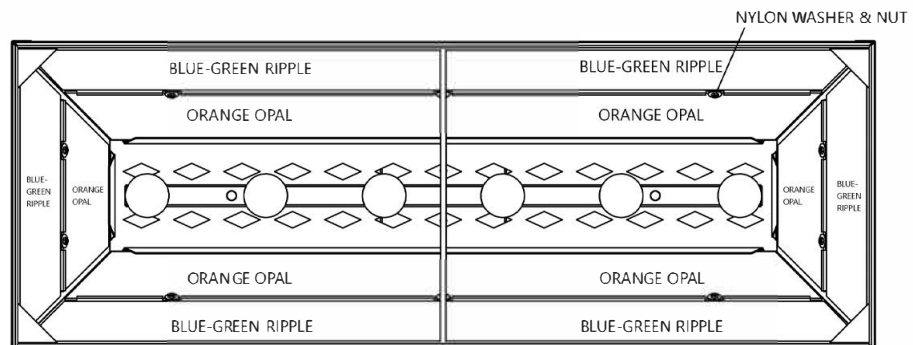
Caution:

**Be sure power is off at the main breaker box prior to installation.
Read all instructions in their entirety before beginning installation.**

1. Carefully unpack all components and make certain that everything is accounted for.
2. Remove Brass Balls from Canopy Assembly to release Universal Crossbar with Studs. Reserve Balls for later use.
3. Using Customer Supplied Hardware, affix Universal Crossbar to reinforced Junction Box ensuring that connection is suitable to hold a minimum of 50lbs and that Electrical Supply Wires remain accessible.
4. Lay Shade Frame on long side and install Glass Panels by sliding them into channels and then against center rail. Glass Panel locations are deciphered by matching labels on Panels with labels on Shade Frame. When installing Ripple Glass, ensure that textured side faces to outside of Frame.
5. Secure Glass by placing Nylon Washers and then screwing Hex Nuts onto Studs. **DO NOT OVER TIGHTEN NUTS.**
6. Gently roll Shade Frame over to rest on opposite long side and install remainder of Glass following previous instructions.
7. Once all Glass Panels have been installed and secured, roll Shade Frame to "Right Side Up" position.
8. Attach desired lengths of Chains to Quick Links on top of Shade Frame.
9. Weave Fixture Lead Wire through every 3rd Link of Chain.
10. Feed Fixture Lead Wire through channel in Canopy Loop and attach loose ends of Chains to Quick Links on Canopy.
11. Following all Local Codes and Procedures, make electrical connection from Fixture Lead Wire to Supply Wire.
12. Lift Canopy up to ceiling allowing Crossbar Studs to pass through. Secure with reserved Brass Balls.
13. Install 6 Medium Base 60Watt Bulbs(not included) into Sockets.
14. Power on and ENJOY!!!



FRONT VIEW



BOTTOM VIEW