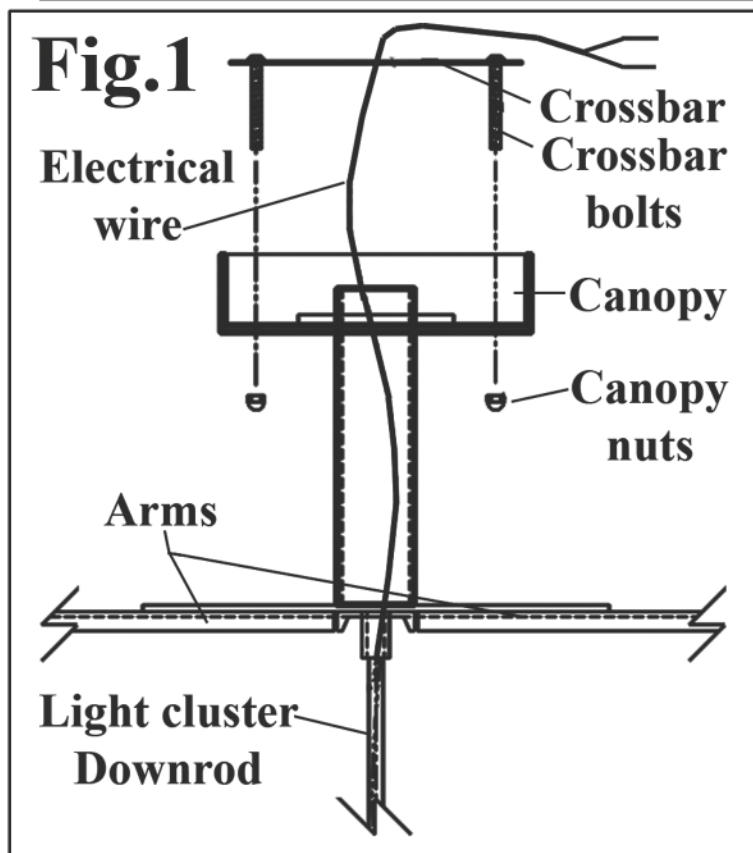


**THIS FIXTURE WEIGHS OVER 220 LBS.**

0700 01/10/16

**NEC:314.27B, A luminaire that weighs more than 23kg (50lbs.) shall be supported independently of the outlet box unless the outlet box is listed AND MARKED for the MAXIMUM WEIGHT to be supported.**

## ASSEMBLY INSTRUCTIONS FOR # 154156

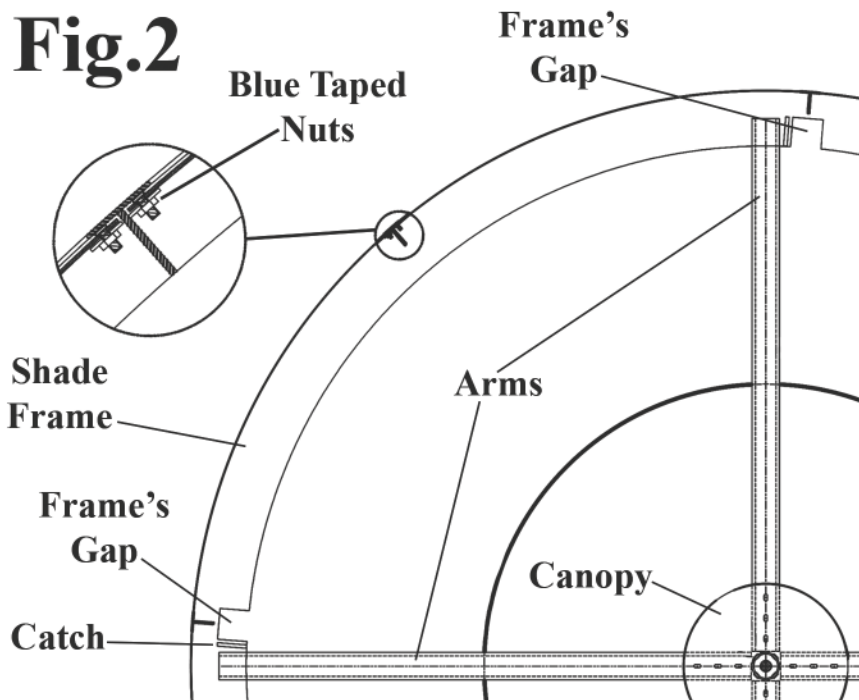


**IMPORTANT**  
**TURN OFF THE POWER AT THE MAIN FUSE OR CIRCUIT BREAKER BOX BEFORE STARTING INSTALLATION**

**CAREFULLY UNPACK AND IDENTIFY ALL PARTS BEFORE ASSEMBLY. BULBS ARE NOT INCLUDED**

**IMPORTANT: REMOVE THE SHADE'S PLASTIC AFTER FIXTURE IS INSTALLED TO PREVENT ANY DAMAGE TO SHADE'S FABRIC**

- 1.) Remove the blue tape off of the frame's nuts. Check these nuts to see that they are tight. If not, tighten them. (Fig.2)
- 2.) Attach crossbar to ceiling, be sure there is crossbar bolts pointing down ready to receive canopy. (Fig.1)
- 3.) Raise canopy/light cluster to ceiling. Connect electrical wires as per your local electrical code. Slide canopy up onto the crossbar bolts, and secure to ceiling by screwing the canopy nuts onto the crossbar bolts. (Fig.1)
- 4.) Raise the shade to the arms. Allow the shade arms to pass through the frame's gaps. Turn shade so that the arms pass under the "catch". Let shade down gently onto the shade arms. (Fig.2)
- 5.) Bulb your fixture, (bulbs provided by others).
- 6.) Remove plastic from shade.
- 7.) Match & insert the diffuser pieces into their appropriate places. (Frosted side down)
- 8.) Power on, enjoy your new fixture!



*"A Commitment to Excellence in Lighting and Service"*

CALL OUR CUSTOMER SERVICE DEPARTMENT AT 1-800-222-4009

MONDAY - FRIDAY 8:00a.m - 6:00p.m ET

visit us on the web at [www.meyda.com](http://www.meyda.com)