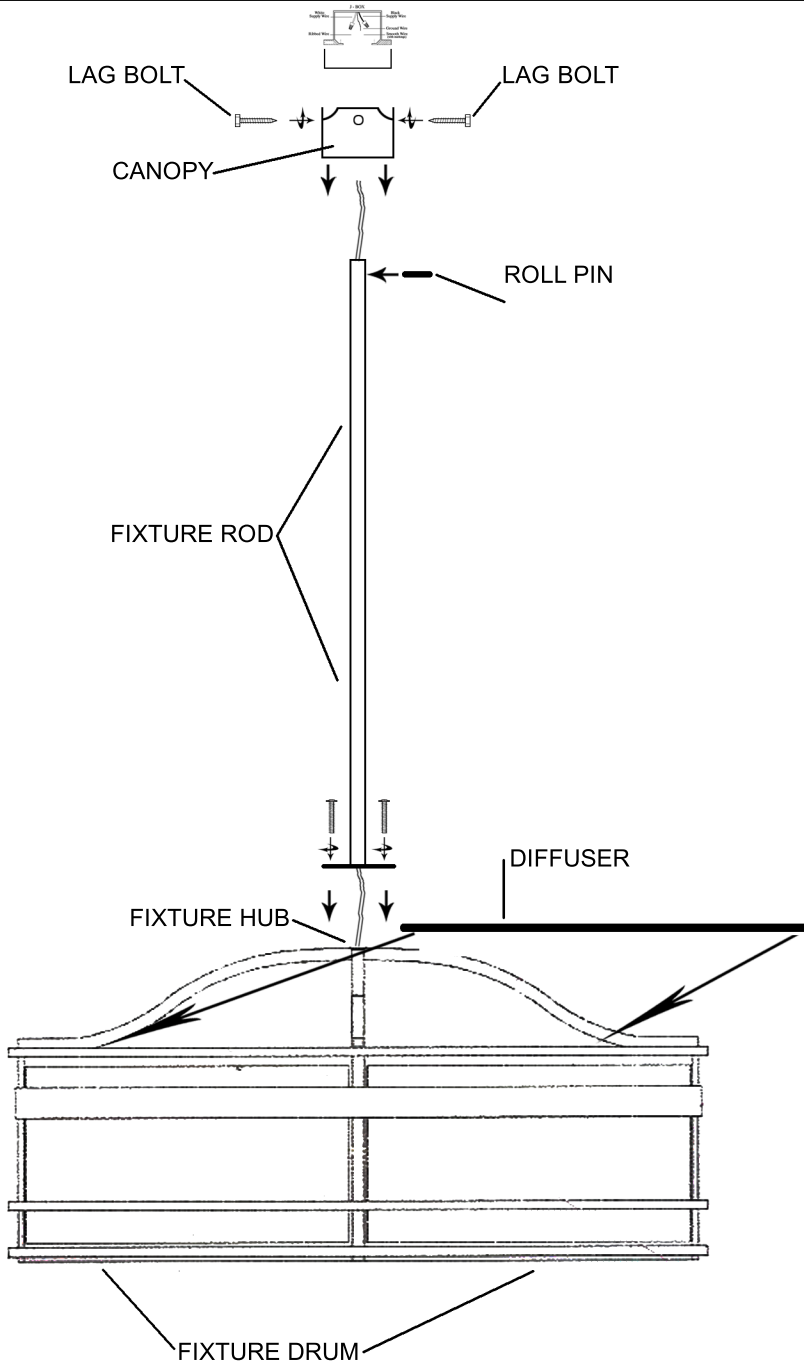


ASSEMBLY INSTRUCTIONS FOR 62893-3 , 62893-4



IMPORTANT

TURN OFF THE POWER AT THE MAIN FUSE OR CIRCUIT BREAKER BOX BEFORE STARTING INSTALLATION

CAREFULLY UNPACK AND IDENTIFY ALL PARTS BEFORE ASSEMBLY. BULBS ARE NOT INCLUDED

1. Place fixture wire up and through fixture pipe.
 2. Attach fixture pipe to fixture hub.
 3. Place canopy down onto fixture pipe.
 4. Hammer roll pin into top of fixture pipe (hole provided).
 5. Place fixture up to ceiling, wire as per local electrical code.
 6. Slide canopy up to roll pin and attach to ceiling with lag bolts provided.
- * FOR ITEM #62893-4, PLACE DIFFUSER ON TOP OF FIXTURE DRUM WHERE SHOWN.



"A Commitment to Excellence in Lighting and Service"

CALL OUR CUSTOMER SERVICE DEPARTMENT AT 1-800-222-4009

MONDAY - FRIDAY 8:00 a.m. - 6:00 p.m. ET

visit us on the web at www.meyda.com

