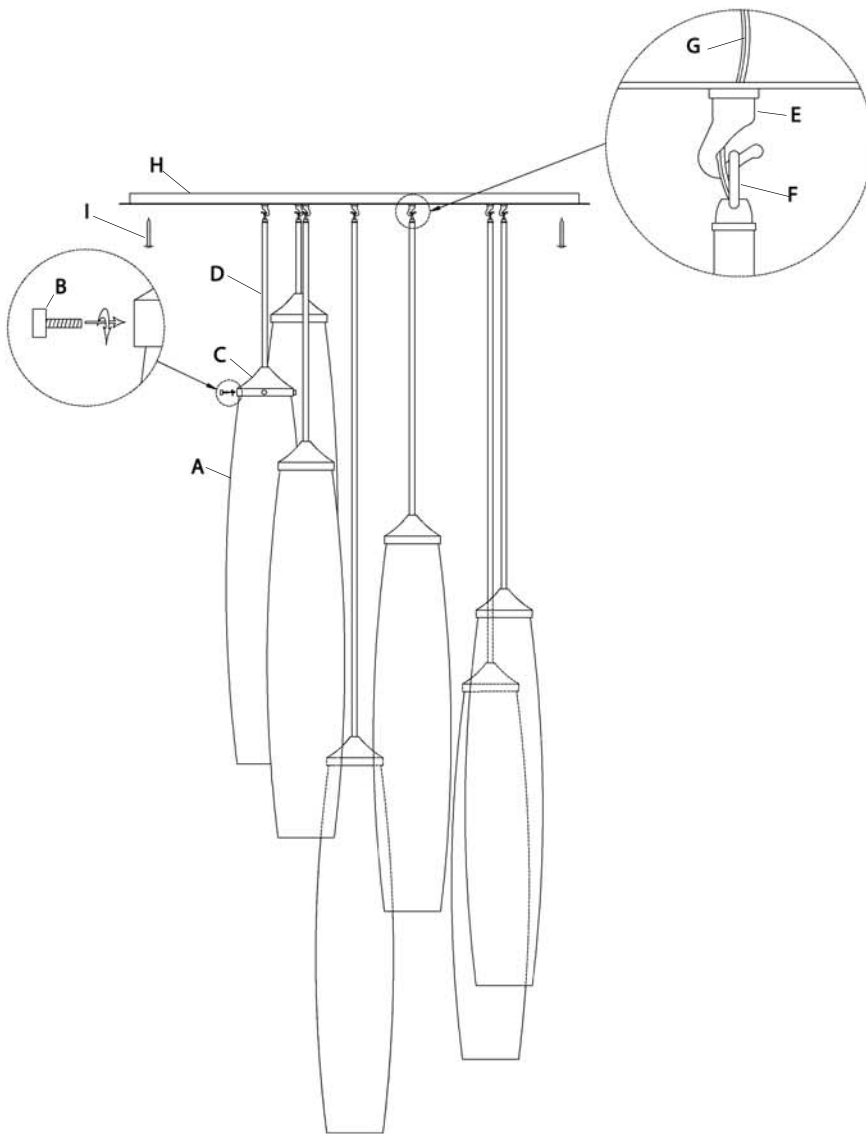


# ASSEMBLY INSTRUCTIONS FOR #143750



## IMPORTANT

TURN OFF THE POWER AT THE MAIN FUSE OR CIRCUIT BREAKER BOX BEFORE STARTING INSTALLATION

CAREFULLY UNPACK AND IDENTIFY ALL PARTS BEFORE ASSEMBLY. BULBS ARE NOT INCLUDED

**(THIS IS A TWO PERSON JOB)**  
**THIS FIXTURE WEIGHS OVER 50 LBS.**  
 NEC:314.27B, A luminaire that weighs more than 23kg (50lb) shall be supported independently of the outlet box unless the outlet box is listed AND MARKED for the MAXIMUM weight to be supported.

- 1.) Attach all down stems (D) to the canopy (H) by placing loop (F) onto hook (E).
- 2.) Feed electrical wires (G) from loop (F) up through hook (E) and canopy (H).
- 3.) Use the "pig tail" method to join hot wires and neutral wires.
- 4.) Raise canopy (H) up to secure location and wire as per local electrical codes.
- 5.) Mount canopy (H) to a secure location using lag bolts (I) provided.
- 6.) Install light bulbs.
- 7.) Attach glass shades (A) to shade holders (C) and secure with thumb screws (B).



*"A Commitment to Excellence in Lighting and Service"*

CALL OUR CUSTOMER SERVICE DEPARTMENT AT 1-800-222-4009

MONDAY - FRIDAY 8:00 a.m. - 6:00 p.m. ET

visit us on the web at [www.meyda.com](http://www.meyda.com)